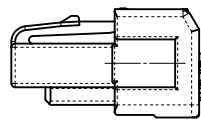
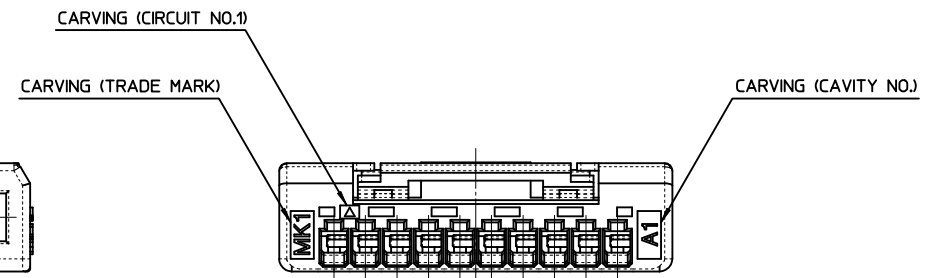
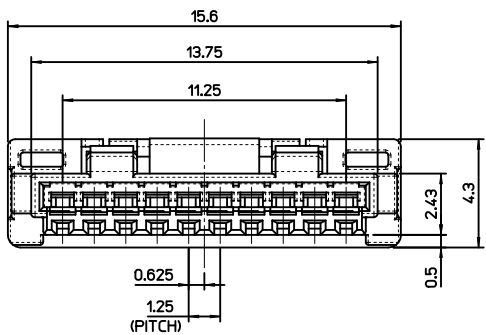
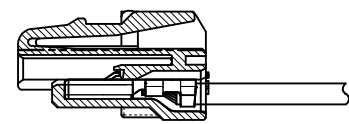


MATED WITH HEADER ASS'Y (REFERENCE)

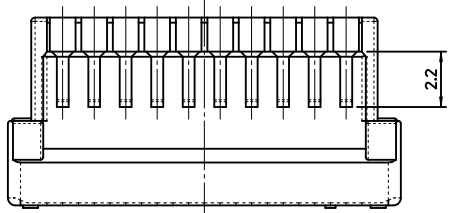
ISOMETRIC VIEW



- NOTE
- MATED WITH : 104099-1017
  - MATERIAL : THERMOPLASTIC, HOLOGEN FREE  
UL94V-0, COLOR OF NATURAL
  - APPLICABLE TERMINAL : 502381-0000, 104521-6001



TERMINAL ASSEMBLY (REFERENCE)



<TABLE>

1041051000	NATURAL
ORDER NO.	COLOR
SCALE 5:1	DESIGN UNITS METRIC
THIRD ANGLE PROJECTION	
TITLE 1.25 W/B ST. CONN. 10P HOUSING	
MOLEX INCORPORATED	
MATERIAL NO. 1041051000	DOCUMENT NO. SD-104105-001
SHEET NO. 1 OF 1	

RELEASED EC NO: KOR2011-0072 DRWN: HTSONG CHKD: SHCHU APPR: YUNSIKKIM	2011/01/10	2011/01/10	2011/01/10
	QUALITY SYMBOLS	DESCRIPTION	
		=0	
		=0	
	GENERAL TOLERANCES (UNLESS SPECIFIED)		
	mm	INCH	
4 PLACES	± ---	± ---	
3 PLACES	± ---	± ---	
2 PLACES	± 0.25	± ---	
1 PLACE	± 0.25	± ---	
ANGULAR ± 1 °			
DRAFT WHERE APPLICABLE MUST REMAIN WITHIN DIMENSIONS			
SIZE	A3		

DIMENSION STYLE MM ONLY	
DRAWN BY HTSONG	DATE 2010/06/28
CHECKED BY SHCHU	DATE 2010/06/28
APPROVED BY YSKIM	DATE 2010/06/28
MATERIAL NO. 1041051000	