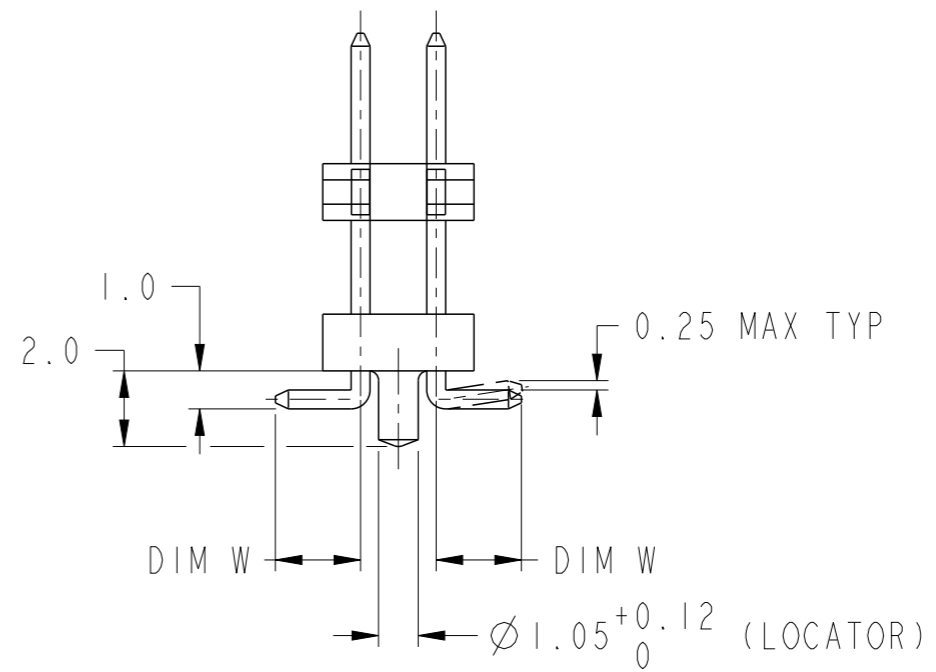
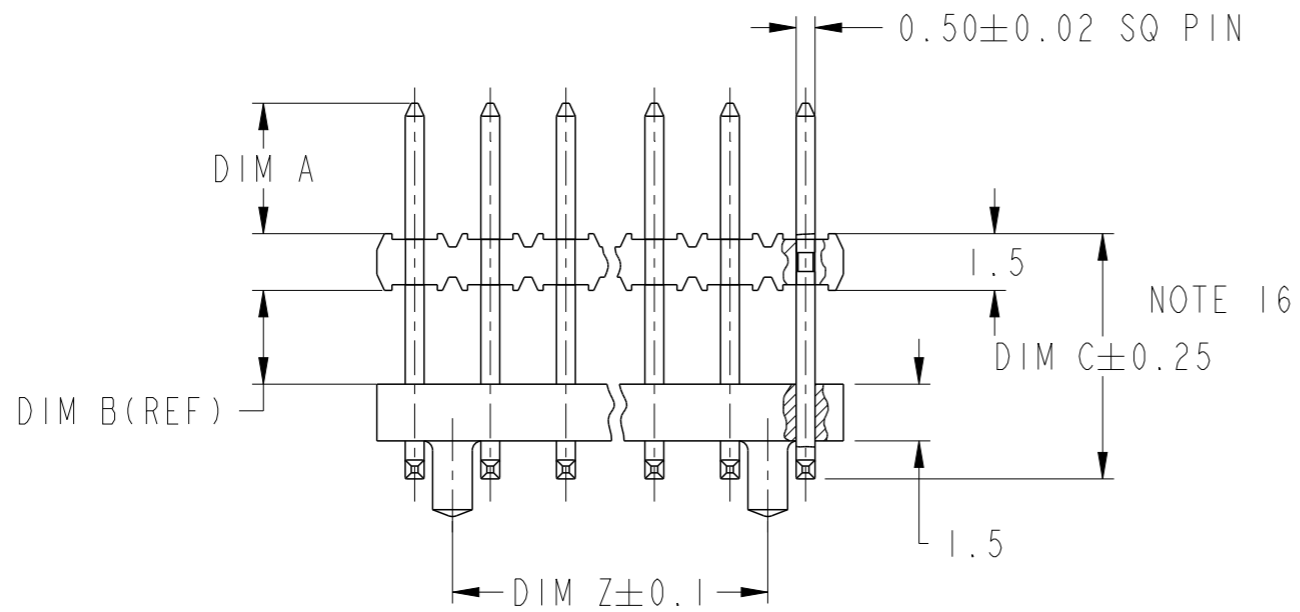
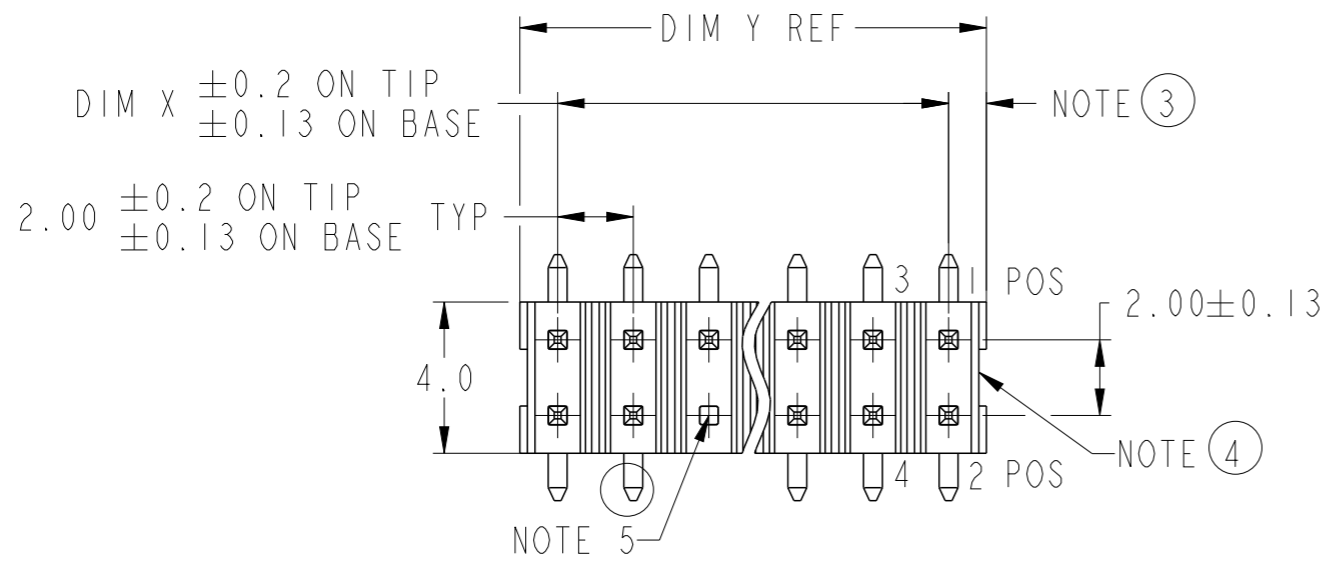


PRODUCT NUMBER
SEE SHEET 2



Amphenol
FCi

© 2016 AFCI

spec ref	-	dr	Andrew Yong	2010/10/26	projection	MM	size	A3	scale	12:1	
tolerance std	ISO 406 ISO 1101	eng	Yuan-Yuan Bao	2020/10/26			ecn no	ELX-N-38731-1			
TOLERANCES UNLESS OTHERWISE SPECIFIED		chr	-	-			rel level	Released			
surface	linear ISO 1302	0.X	±-	Amphenol FCI www.fci.com	product family - MINITEK II R/R SMT STR HDR WITH LOCATOR		dwg no	10065491		rev	N
		0.XX	±0.25				cat. no.	-	Product - Customer Drw	sheet 1 of 3	
		0.XXX	±-								
		angular	0°	±3°							

1				2				3		4	
PRODUCT NO.	POS	DIM X	DIM Y	DIM Z	DIM A	DIM B	DIM W	POL.POS	PLATING (CONTACT) (1.27-2.54 μm Ni underplate)	PLATING (SOLDERTAIL) (1.27-2.54 μm Ni underplate)	MAT'L
10065491-001LF	2X24	46	48	44	4.4	3.5	2.25	-	0.76μm MIN Au	0.76μm MIN Au	NOTE (I)
10065491-002LF	2X20	38	40	36	2.9	10.5	2.25	-	0.76μm MIN Au	2.54μm MIN 100% Matte Tin	NOTE (I)
10065491-003LF	2X24	46	48	44	3.45	2.48	2.25	-	0.76μm MIN Au	0.76μm MIN Au	NOTE (I)
10065491-004LF	2X24	46	48	44	3.45	2.48	2.25	-	0.76μm MIN Au	2.54μm MIN 100% Matte Tin	NOTE (I)
10065491-005LF	2X20	38	40	36	2.9	5.5	2.25	-	0.76μm MIN Au	2.54μm MIN 100% Matte Tin	NOTE (I)
10065491-006LF	2X15	28	30	26	3.5	8.0	2.25	-	0.76μm MIN Au	0.76μm MIN Au	NOTE (I)
10065491-007LF	2X3	4	6	2	3.7	4.1	2.10	-	0.38μm MIN Au	2.54μm MIN 100% Matte Tin	NOTE (I)
10065491-008LF	2X20	38	40	36	3.2	3.5	2.25	-	0.76μm MIN Au	2.54μm MIN 100% Matte Tin	NOTE (I)
10065491009LF	2X3	4	6	2	5.2	9.4	2.00	-	0.76um MIN GXT	2.54μm MIN 100% Matte Tin	NOTE (I)

Amphenol
FCi

© 2016 AFCI

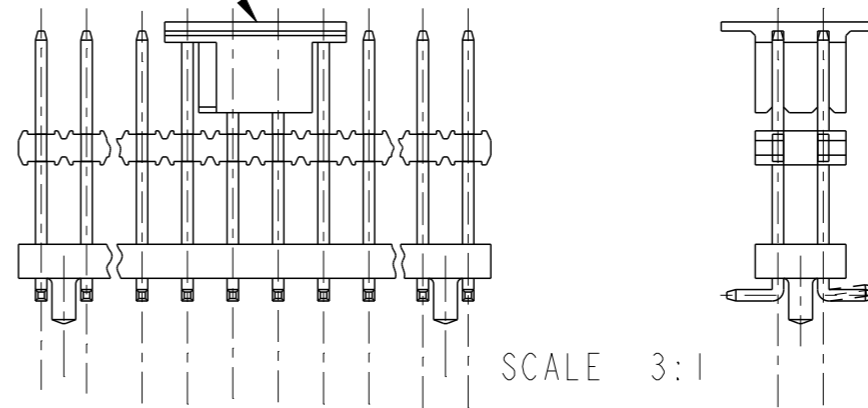
spec ref -		dr	Andrew Yong	2010/10/26	projection	MM	size	A3	scale	12:1
tolerance std ISO 406 ISO 1101		TOLERANCES UNLESS OTHERWISE SPECIFIED			eng	Yuan-Yuan Bao	2020/10/26	ecn no ELX-N-38731-1		
surface		linear	0.X	±-	chr	-	product family -			rel level Released
ISO 1302		angular	0°	±3°	appr	Tim Yao	2020/12/24	MINITEK II R/R		dwg no 10065491
				www.fci.com		SMT STR HDR WITH LOCATOR		cat. no. -		rev N
						Product - Customer Drw		sheet 2 of 3		

NOTES:

1. MATERIAL:
BODY : HIGH TEMPERATURE THERMOPLASTIC, UL 94V-0 NATURAL
PIN : COPPER ALLOY
2. TOLERANCE UNLESS OTHERWISE NOTED ± 0.25
3. DIM 1.0 ± 0.15 FOR MOLDED SIDE(S) ONLY. IF SIDE(S) ARE BROKEN, DIM 1.5 MAX APPLIES.
4. RECESS APPLIES TO MOLDED SIDE(S) ONLY.
5. POLARISATION BY OMISSION OF PIN. POSITION REFER TO TABLE.
6. P/N 10065491-XXXT TO BE PACKED IN TUBE.
7. P/N 10065491-XXXTC TO BE PACKED IN TUBE WITH PICK-UP CAP INSTALLED IN THE CENTRE OF THE PRODUCT. SEE FIG 1.
8. P/N 10065491-XXXTR TO BE PACKED IN TAPE & REEL WITH PICK-UP CAP INSTALLED IN THE CENTRE OF THE PRODUCT. SEE FIG 1.
9. P/N 10065491-XXXTRN TO BE PACKED IN TAPE & REEL WITHOUT PICK-UP CAP.
10. PRODUCT PART NUMBER DESCRIPTIONS:
10065491-XXX LF
 - LEAD FREE. SEE NOTE 11
 - NO. OF POSITIONS (RANDOM)
11. 10065491-XXXLF IS SAME TO 10065491-XXX. THE SUFFIX 'LF' IS ADDED JUST FOR EASY LEAD FREE IDENTIFICATION.
12. THE HOUSING WILL WITHSTAND EXPOSURE TO 255°C PEAK TEMPERATURE FOR 10 SECONDS IN A CONVECTION, INFRA-RED OR VAPOR PHASE REFLOW OVEN.

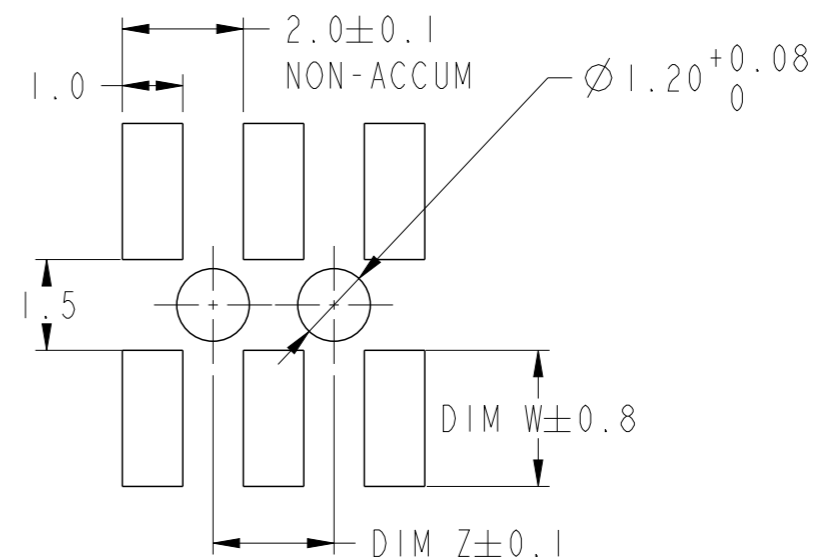
13. THE HOUSING WILL WITHSTAND EXPOSURE TO 260°C PEAK TEMPERATURE FOR 10 SECONDS IN A WAVE SOLDER APPLICATION WITH A 1.57mm MINIMUM THICK CIRCUIT BOARD.
14. THIS PRODUCT MEETS EUROPEAN UNION DIRECTIVES AND OTHER COUNTRY REGULATIONS AS DESCRIBED IN GS-22-008
15. DIM C=DIM B+4.0

PICK-UP CAP
(COLOR BLACK)



SCALE 3:1

FIG. 1



RECOMMENDED PAD LAYOUT

spec ref	-	dr	Andrew Yong	2010/10/26	projection	MM	size	A3	scale	5:1												
tolerance std	ISO 406 ISO 1101	eng	Yuan-Yuan Bao	2020/10/26			ecn no	ELX-N-38731-1														
	TOLERANCES UNLESS OTHERWISE SPECIFIED	chr	-	-			rel level	Released														
surface	<table border="1"> <tr> <td>linear</td> <td>0.X</td> <td>± -</td> </tr> <tr> <td></td> <td>0.XX</td> <td>± 0.25</td> </tr> <tr> <td></td> <td>0.XXX</td> <td>± -</td> </tr> <tr> <td>angular</td> <td>0°</td> <td>± 3°</td> </tr> </table>	linear	0.X	± -		0.XX	± 0.25		0.XXX	± -	angular	0°	± 3°	appr	Tim Yao	2020/12/24	product family	-	rel level	Released		
linear	0.X	± -																				
	0.XX	± 0.25																				
	0.XXX	± -																				
angular	0°	± 3°																				
ISO 1302		Amphenol FCI	MINITEK II R/R			dwg no	10065491			rev	N											
		www.fci.com	SMT STR HDR WITH LOCATOR			cat. no.	-			Product - Customer Drw	sheet 3 of 3											