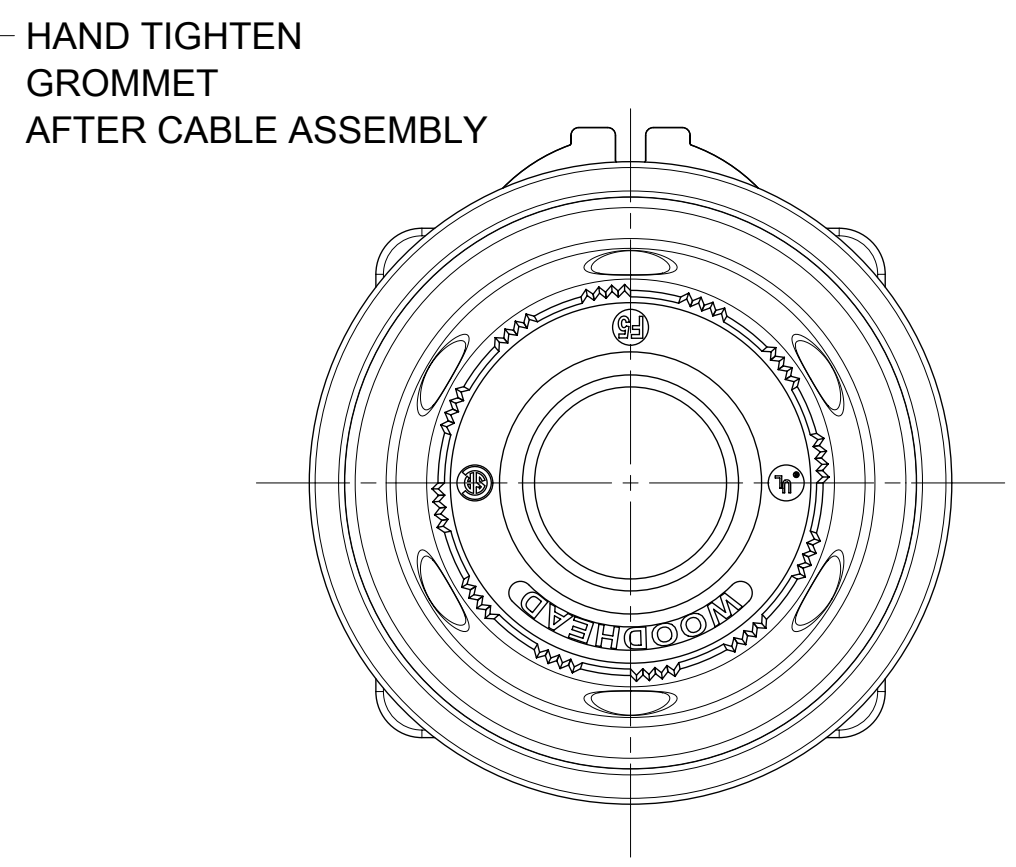
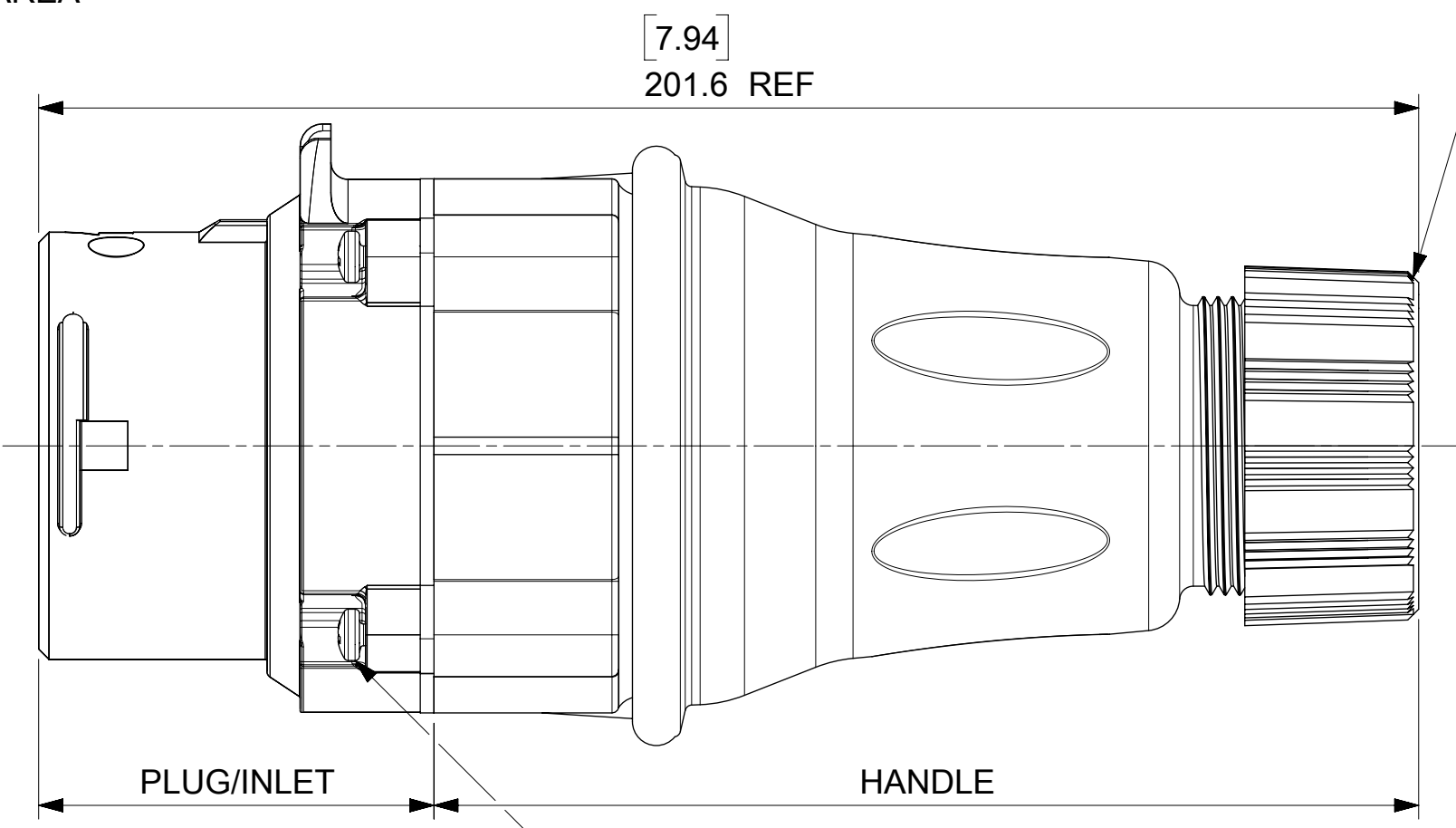
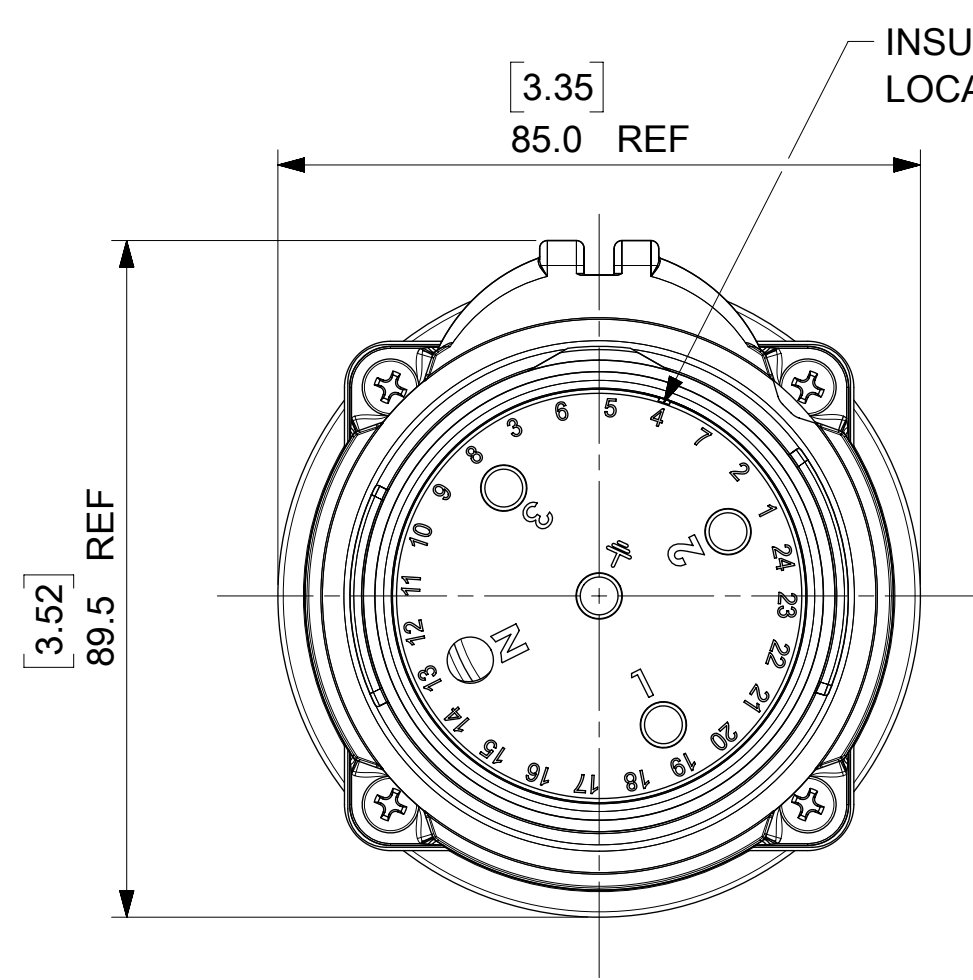
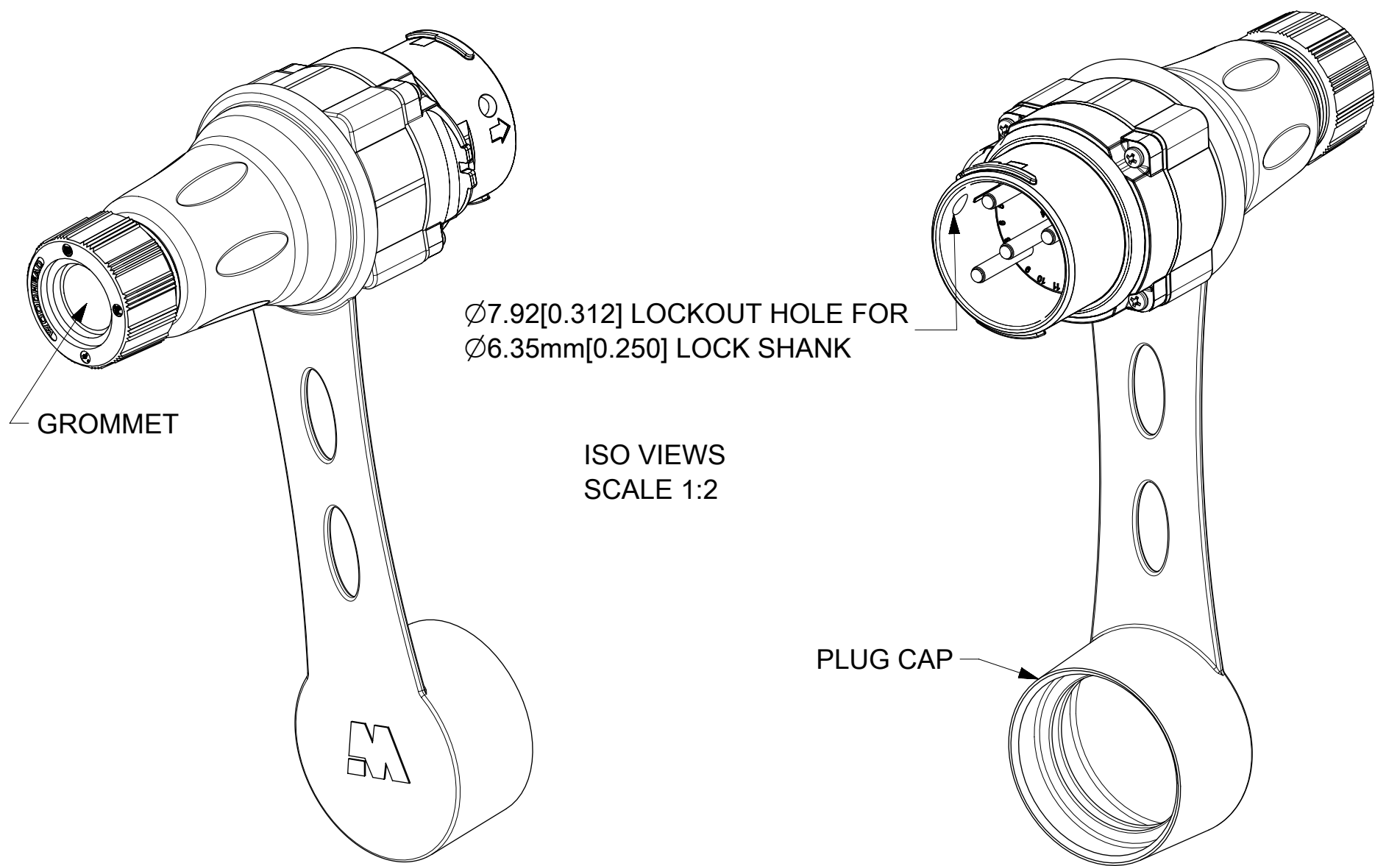


MATERIAL NUMBER	ENGINEERING NUMBER	DESCRIPTION	INSULATOR KEYING POSITION	HORSEPOWER RATING
1122171029	ARC60MHA01	ARC 60A MH 125VAC 1P+N+G	7	2 HP
1122171030	ARC60MHB02	ARC 60A MH 250VAC 2P+G		3 HP
1122171031	ARC60MHB03	ARC 60A MH 250VAC 3P+G		7.5 HP
1122171032	ARC60MHAB04	ARC 60A MH 125/250VAC 2P+N+G	16	NA
1122171033	ARC60MHC02	ARC 60A MH 208VAC 2P+G		NA
1122171034	ARC60MHC03	ARC 60A MH 208VAC 3P+G		7.5 HP
1122171035	ARC60MHAC05	ARC 60A MH 120/208VAC 3P+N+G	4	NA
1122171036	ARC60MHD01	ARC 60A MH 277VAC 1P+N+G		NA
1122171037	ARC60MHE02	ARC 60A MH 480VAC 2P+G		NA
1122171038	ARC60MHE03	ARC 60A MH 480VAC 3P+G	14	20 HP
1122171039	ARC60MHDE05	ARC 60A MH 277/480VAC 3P+N+G		NA
1122171040	ARC60MHF02	ARC 60A MH 600VAC 2P+G		NA
1122171041	ARC60MHF03	ARC 60A MH 600VAC 3P+G	14	20 HP
1122171042	ARC60MHGF05	ARC 60A MH 347/600VAC 3P+N+G		NA



NOTES:
MATERIALS:
HANDLE, HOUSINGS AND INSULATORS: GLASS FILLED PBT
CONTACTS: COPPER ALLOY WITH A SILVER NICKEL TIP, SILVER PLATED
MOUNTING GASKETS: SILICONE
GROMMET - RUBBER
FRICTION RING - NATURAL POLYETHYLENE
COMPRESSION NUT - BLACK PBT
SELF TAPPING SCREWS - STAINLESS STEEL
PLUG CAP - RUBBER

RATINGS:
CURRENT: 60 AMPS
VOLTAGE AND HORSEPOWER: SEE TABLE
AMBIENT OPERATING TEMPERATURE: -25°C (-13°F) TO 60°C (140°F)
(WITH MAX. 30°C RISE ABOVE AMBIENT)
ENVIRONMENTAL: NEMA TYPE 4X & IP69K
WIRING CAPACITY: 10 AWG MIN. TO 4 AWG MAX.
TORQUE TERMINAL SCREWS TO 1.7 Nm (15 in-lbs)
AGENCY: UL LISTING PENDING
SWITCH RATED RECEPTACLE/CONNECTOR
BRANCH CIRCUIT DISCONNECT SWITCH
MOTOR CIRCUIT DISCONNECT SWITCH IF HP RATED

PLUG/INLET AND HANDLE ARE PACKAGED SEPARATELY.
END USER ASSEMBLY REQUIRED PER INSTRUCTIONS INCLUDED.

TORQUE MOUNTING SCREWS (4x)
1.9 TO 2.1 Nm (17 TO 19 IN-LBS)

GROMMET P/N	GROMMET COLOR	CABLE DIAMETER RANGE
1301800308	ORANGE	19.05mm-22.25mm(.750"-.875")
1301800309	YELLOW	22.23mm-25.40mm(.875"-1.000")
1301800310	BLACK	25.40mm-28.57mm(1.000"-1.125")

THIS DRAWING CONTAINS INFORMATION THAT IS PROPRIETARY TO MOLEX ELECTRONIC TECHNOLOGIES, LLC AND SHOULD NOT BE USED WITHOUT WRITTEN PERMISSION

DIMENSION UNITS	SCALE	CURRENT REV DESC: GENERAL MARKET RELEASE	
MM/INCH	1:1	molex 60A ARC ARREST PLUG KIT HANDLE W/O DPLAT	
GENERAL TOLERANCES (UNLESS SPECIFIED)			
4 PLACES	±	EC NO: 674097	2021/08/17
3 PLACES	±	DRWN: MJANTELEZIO	2021/08/17
2 PLACES	± 0.25	CHK'D: WLEUNG	2021/08/17
1 PLACE	± 0.5	APPR: WLEUNG	2021/08/17
0 PLACES	± 1.0	INITIAL REVISION:	
ANGULAR TOL	± 3.0 °	DRWN: VBSATHKARP	2018/08/20
DRAFT WHERE APPLICABLE MUST REMAIN WITHIN DIMENSIONS		APPR: JFMURPHY	2020/11/17
THIRD ANGLE PROJECTION		DRAWING	SERIES
		C-SIZE	112217
DOCUMENT STATUS	P1	RELEASE DATE	2021/08/17 21:15:11
DOCUMENT NUMBER	1122171038	DOC TYPE	PSD
CUSTOMER	GENERAL MARKET	DOC PART	000
SHEET NUMBER	1 OF 1	REVISION	A2