

## Product Summary

<b>V<sub>F</sub> (Typ)</b>	<b>V<sub>P</sub> (Typ)</b>	<b>C<sub>OUT</sub> (Typ)</b>
0.8V	5V	1.5pF

## Description

DM1231-02SO is a high-performance device suitable for protecting two high-speed channels. This product is assembled in SOT26 package. It has high ESD surge capability and low capacitance.

## Applications

Typically Used for High Speed Ports such as:

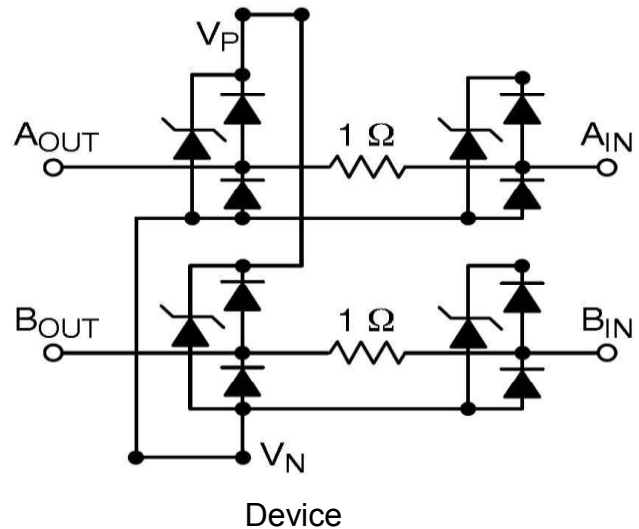
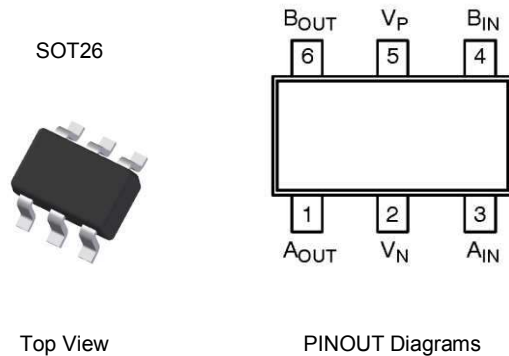
- USB 2.0
- IEEE1394
- HDMI
- Laptop and Personal Computers
- Flat Panel Displays
- Video Graphics Displays
- SIM Ports

## Features

- Contact discharge per IEC61000-4-2 standard:  $\pm 12$  kV (OUT Pins),  $\pm 4$  kV (IN Pins)
- Withstands over 1000 ESD Strikes
- 1.5pF Typical Capacitance from OUT to V<sub>N</sub>
- Two channels of ESD Protection
- **Totally Lead-Free & Fully RoHS Compliant (Notes 1 & 2)**
- **Halogen and Antimony Free. "Green" Device (Note 3)**

## Mechanical Data

- Case: SOT26
- Case Material: Molded Plastic, "Green" Molding Compound. UL Flammability Classification Rating 94V-0
- Moisture Sensitivity: Level 1 per J-STD-020 (Lead Free Plating). Solderable per MIL-STD-202, Method 208 **e3**
- Weight: 0.016 grams (Approximate)

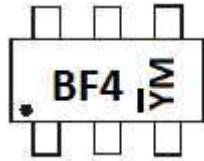


## Ordering Information (Note 4)

Product	Compliance	Marking	Reel Size (inches)	Tape Width (mm)	Quantity per Reel
DM1231-02SO-7	Standard	BF4	7	8	3,000/Tape & Reel

- Notes:
1. No purposely added lead. Fully EU Directive 2002/95/EC (RoHS) & 2011/65/EU (RoHS 2) compliant.
  2. See [http://www.diodes.com/quality/lead\\_free.html](http://www.diodes.com/quality/lead_free.html) for more information about Diodes Incorporated's definitions of Halogen- and Antimony-free, "Green" and Lead-free.
  3. Halogen- and Antimony-free "Green" products are defined as those which contain <900ppm bromine, <900ppm chlorine (<1500ppm total Br + Cl) and <1000ppm antimony compounds.
  4. For packaging details, go to our website at <http://www.diodes.com/products/packages.html>.

## Marking Information



BF4= Product Type Marking Code  
 YM = Date Code Marking  
 Y = Year (ex: D = 2016)  
 M = Month (ex: 9 = September)  
 Note: "—" represents internal code

### Date Code Key

Year	2015	2016	2017	2018	2019	2020
Code	C	D	E	F	G	H

Month	Jan	Feb	Mar	Apr	May	Jun	Jul	Aug	Sep	Oct	Nov	Dec
Code	1	2	3	4	5	6	7	8	9	O	N	D

## Maximum Ratings (@T<sub>A</sub> = +25°C, unless otherwise specified.)

Characteristic	Value	Unit
Operating Supply Voltage (V <sub>P</sub> )	6	V
Diode Forward Current(A <sub>OUT</sub> /B <sub>OUT</sub> Side)	8	mA
Continuous Current through Signal Pins (IN to OUT) 1,000 hours	125	mA
ESD Protection – Contact Discharge (Note5)	± 12	kV
	± 4	kV

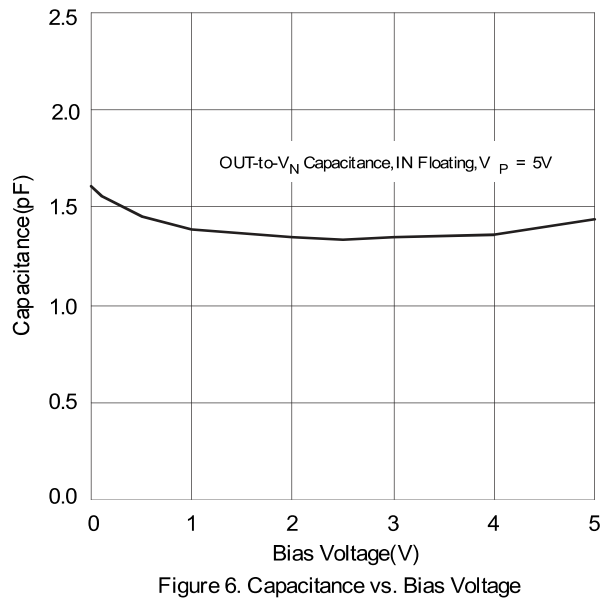
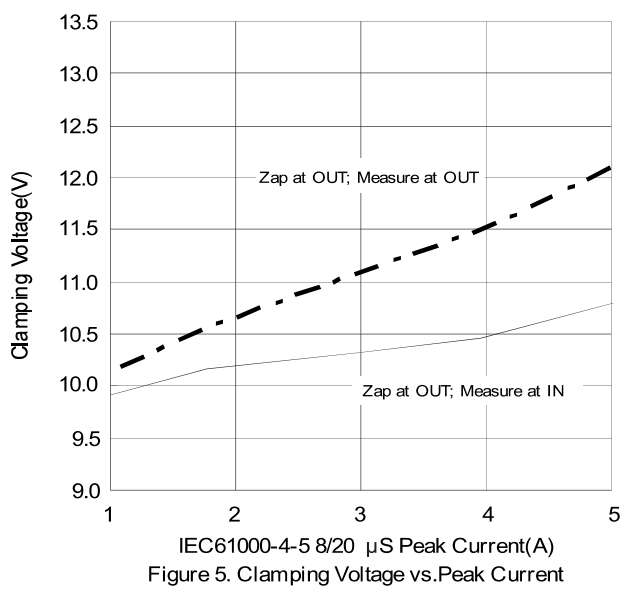
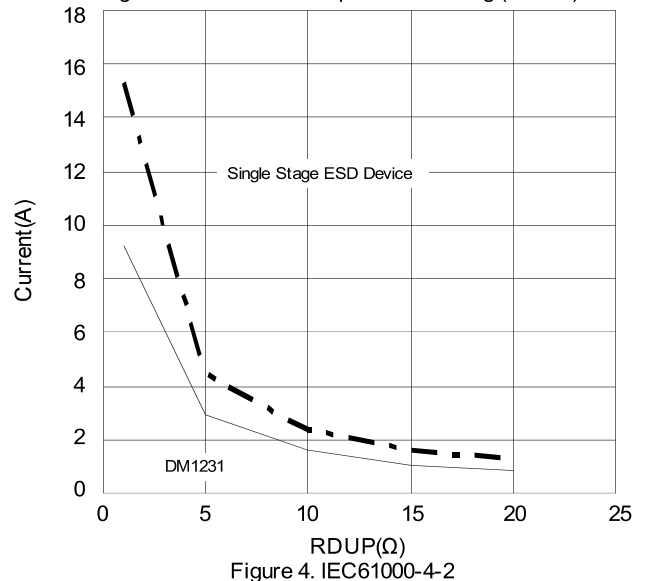
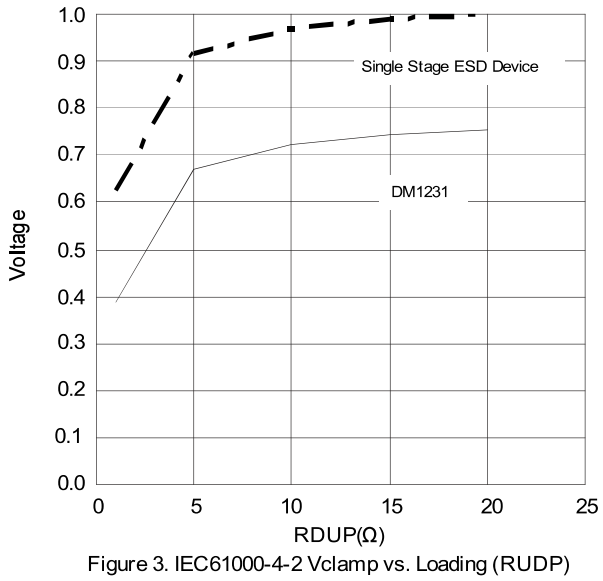
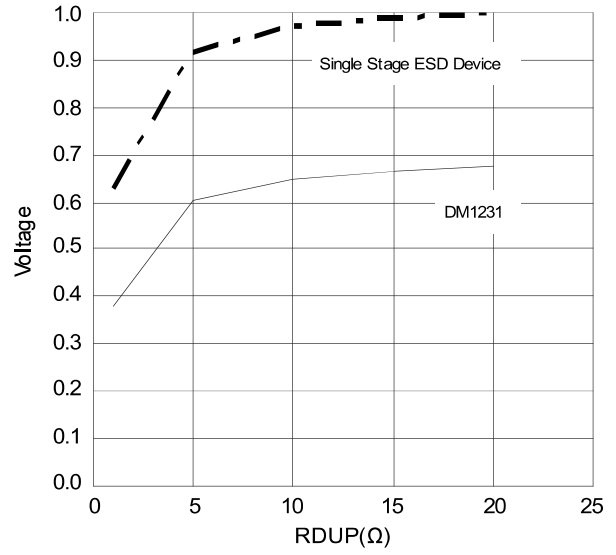
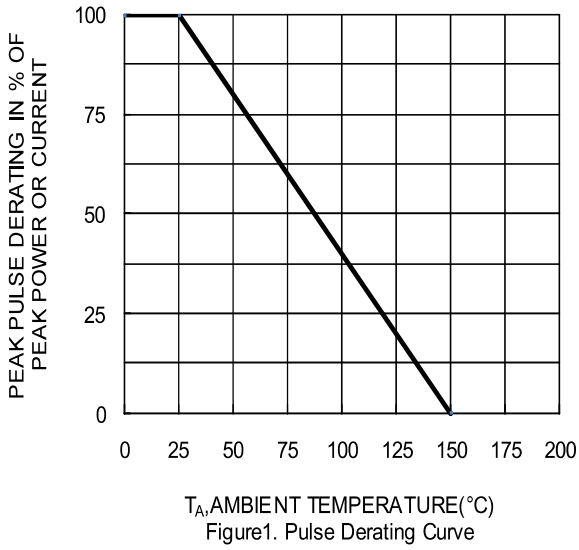
## Thermal Characteristics

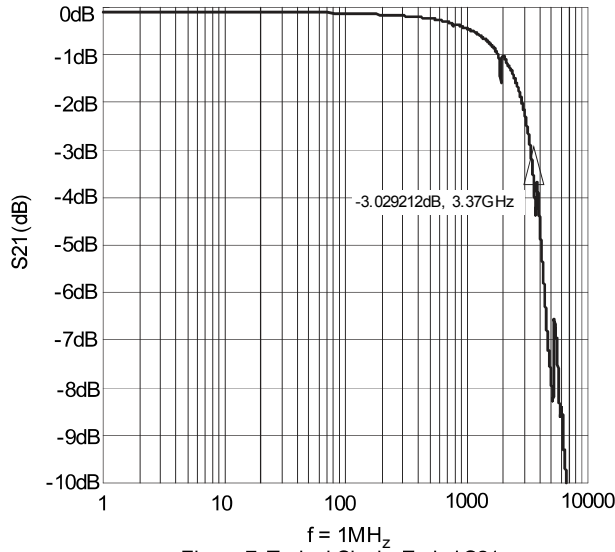
Characteristic	Symbol	Value	Unit
Power Dissipation Typical (Note 6)	P <sub>D</sub>	300	mW
Thermal Resistance, Junction to Ambient Typical (Note 6)	R <sub>θJA</sub>	417	°C/W
Operating and Storage Temperature Range	T <sub>J</sub> , T <sub>STG</sub>	-55 to +150	°C

## Electrical Characteristics (@T<sub>A</sub> = +25°C, unless otherwise specified.)

Characteristic	Symbol	Min	Typ	Max	Unit	Test Conditions
Operating Supply Voltage	V <sub>P</sub>	—	5	5.5	V	—
Reverse Current (Note 7)	I <sub>R</sub>	—	—	1	μA	V <sub>P</sub> = 5V, V <sub>P</sub> to V <sub>N</sub>
Diode Forward Voltage	V <sub>F</sub>	0.6	0.8	0.95	V	I <sub>F</sub> = 8mA, Top Diode
Diode Forward Voltage	V <sub>F</sub>	0.6	0.8	0.95	V	I <sub>F</sub> = 8mA, Bottom Diode
Residual ESD Peak Current on RDUP(Resistance of Device Under Protection)	I <sub>RES</sub>	—	2.3	—	A	IEC 61000-4-2 contact mode 8kV, RDUP = 5Ω
Channel Clamping Voltage (Note 8)	V <sub>CL_Positive</sub>	—	+9	—	V	I <sub>PP</sub> = 1A, t <sub>p</sub> = 8/20μs Zap at OUT, Measure at IN
	V <sub>CL_Negative</sub>	—	-1.4	—	V	
Dynamic Resistance	R <sub>DYN_Positive</sub>	—	0.4	—	Ω	I <sub>PP</sub> = 1A, t <sub>p</sub> = 8/20μs Zap at OUT, Measure at IN
	R <sub>DYN_Negative</sub>	—	0.3	—	Ω	
Channel Input Capacitance(Note 9)	C <sub>OUT</sub>	—	1.5	—	pF	f = 1MHz, V <sub>P</sub> = 5V, V <sub>OSC</sub> = 2.5V, V <sub>OSC</sub> = 30mV
Channel to Channel Capacitance Match	ΔC <sub>OUT</sub>	—	0.02	—	pF	f = 1MHz, V <sub>P</sub> = 5V, V <sub>OSC</sub> = 2.5V, V <sub>OSC</sub> = 30mV
Series Resistance	R <sub>S</sub>	—	1	—	Ω	—
Channel to Channel Resistance Match	ΔR <sub>S</sub>	—	± 10	± 30	mΩ	—

- Notes:
- Standard test condition is IEC61000-4-2 level 4 test circuit with each (A<sub>OUT</sub>/B<sub>OUT</sub>) pin subjected to ± 12kV contact discharge for 1000 pulses. **Discharges are timed at 1 second intervals and all 1000 strikes are completed in one continuous test run.**
  - Device mounted on FR-4 PCB pad layout (2oz copper) as shown on Diodes, Inc. suggested pad layout, which can be found on our website at <http://www.diodes.com/package-outlines.html>.
  - Short duration pulse test used to minimize self-heating effect.
  - Clamping voltage value is based on an 8x20μs peak pulse current (I<sub>pp</sub>) waveform.
  - Capacitance measured from V<sub>OUT</sub> to V<sub>N</sub> with V<sub>IN</sub> floating.

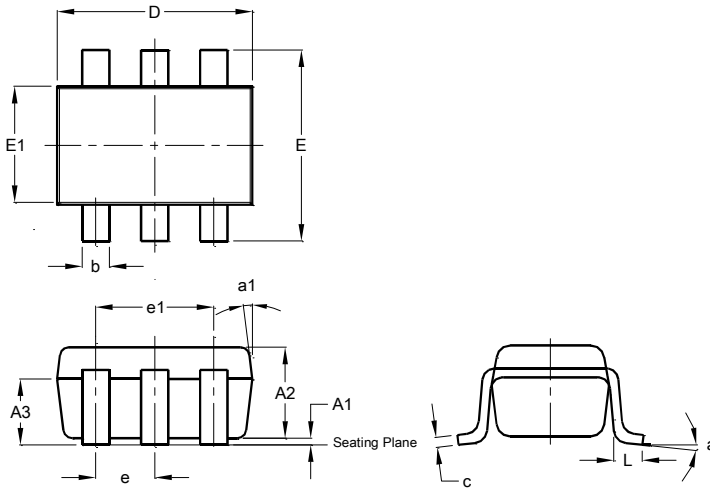




f = 1MHz  
Figure 7, Typical Single-Ended S21 plot (1dB/div, 1MHz to 10GHz)

### Package Outline Dimensions

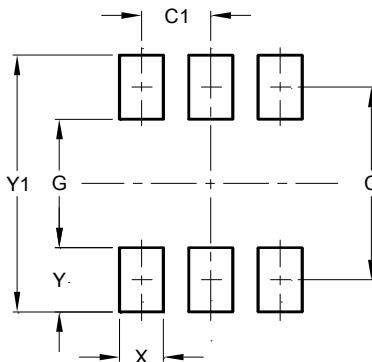
Please see <http://www.diodes.com/package-outlines.html> for the latest version.



SOT26			
Dim	Min	Max	Typ
A1	0.013	0.10	0.05
A2	1.00	1.30	1.10
A3	0.70	0.80	0.75
b	0.35	0.50	0.38
c	0.10	0.20	0.15
D	2.90	3.10	3.00
e	-	-	0.95
e1	-	-	1.90
E	2.70	3.00	2.80
E1	1.50	1.70	1.60
L	0.35	0.55	0.40
a	-	-	8°
a1	-	-	7°
All Dimensions in mm			

### Suggested Pad Layout

Please see <http://www.diodes.com/package-outlines.html> for the latest version.



Dimensions	Value (in mm)
C	2.40
C1	0.95
G	1.60
X	0.55
Y	0.80
Y1	3.20

**IMPORTANT NOTICE**

DIODES INCORPORATED MAKES NO WARRANTY OF ANY KIND, EXPRESS OR IMPLIED, WITH REGARDS TO THIS DOCUMENT, INCLUDING, BUT NOT LIMITED TO, THE IMPLIED WARRANTIES OF MERCHANTABILITY AND FITNESS FOR A PARTICULAR PURPOSE (AND THEIR EQUIVALENTS UNDER THE LAWS OF ANY JURISDICTION).

Diodes Incorporated and its subsidiaries reserve the right to make modifications, enhancements, improvements, corrections or other changes without further notice to this document and any product described herein. Diodes Incorporated does not assume any liability arising out of the application or use of this document or any product described herein; neither does Diodes Incorporated convey any license under its patent or trademark rights, nor the rights of others. Any Customer or user of this document or products described herein in such applications shall assume all risks of such use and will agree to hold Diodes Incorporated and all the companies whose products are represented on Diodes Incorporated website, harmless against all damages.

Diodes Incorporated does not warrant or accept any liability whatsoever in respect of any products purchased through unauthorized sales channel. Should Customers purchase or use Diodes Incorporated products for any unintended or unauthorized application, Customers shall indemnify and hold Diodes Incorporated and its representatives harmless against all claims, damages, expenses, and attorney fees arising out of, directly or indirectly, any claim of personal injury or death associated with such unintended or unauthorized application.

Products described herein may be covered by one or more United States, international or foreign patents pending. Product names and markings noted herein may also be covered by one or more United States, international or foreign trademarks.

This document is written in English but may be translated into multiple languages for reference. Only the English version of this document is the final and determinative format released by Diodes Incorporated.

**LIFE SUPPORT**

Diodes Incorporated products are specifically not authorized for use as critical components in life support devices or systems without the express written approval of the Chief Executive Officer of Diodes Incorporated. As used herein:

A. Life support devices or systems are devices or systems which:

1. are intended to implant into the body, or
2. support or sustain life and whose failure to perform when properly used in accordance with instructions for use provided in the labeling can be reasonably expected to result in significant injury to the user.

B. A critical component is any component in a life support device or system whose failure to perform can be reasonably expected to cause the failure of the life support device or to affect its safety or effectiveness.

Customers represent that they have all necessary expertise in the safety and regulatory ramifications of their life support devices or systems, and acknowledge and agree that they are solely responsible for all legal, regulatory and safety-related requirements concerning their products and any use of Diodes Incorporated products in such safety-critical, life support devices or systems, notwithstanding any devices- or systems-related information or support that may be provided by Diodes Incorporated. Further, Customers must fully indemnify Diodes Incorporated and its representatives against any damages arising out of the use of Diodes Incorporated products in such safety-critical, life support devices or systems.

Copyright © 2016, Diodes Incorporated

[www.diodes.com](http://www.diodes.com)