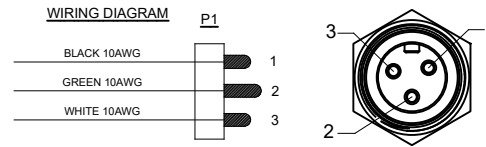
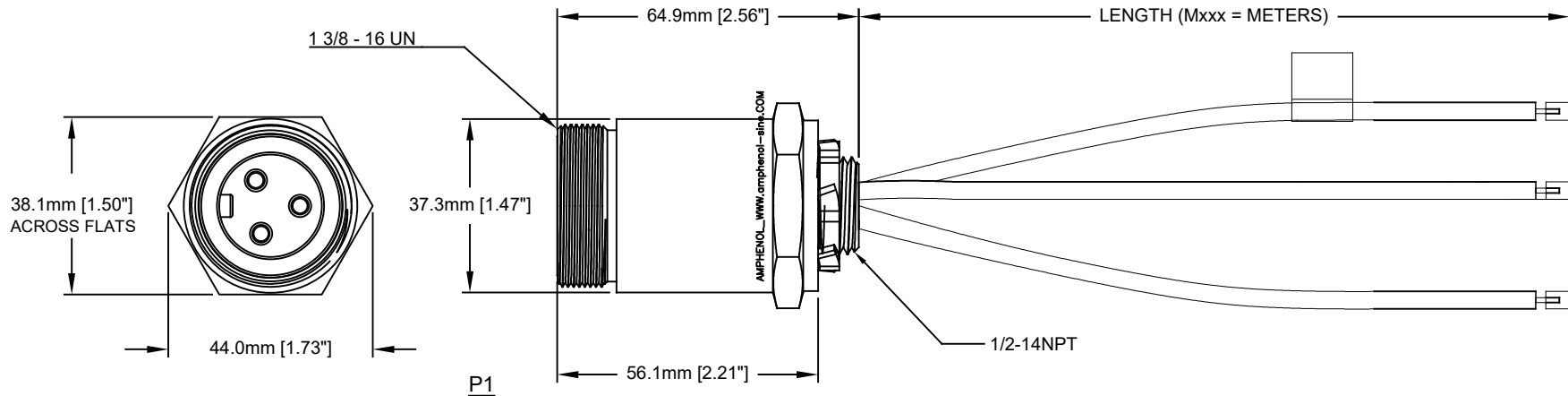


REVISIONS					
REV	ECO	DESCRIPTION	DATE	BY	APPR
A1	-	TECHNICAL DATA SHEET RELEASE	12-MAY-14	KMM	RFC



**TECHNICAL DATA:**

- MATERIALS:**  
HOUSING: MACHINED ALUMINUM, ANODIZED  
INSULATION INSERT: THERMOPLASTIC, UL 94/V-0  
CONTACT: GOLD FLASH PLATING OVER COPPER ALLOY  
CONDUCTOR INSULATION: PVC  
NUMBER OF CONDUCTORS: (3) 10AWG
- ELECTRICAL DATA:**  
CURRENT (MAX): 30A  
VOLTAGE (MAX): 600V AC/DC  
INSULATION RESISTANCE (MIN): 5000M OHMS  
DIELECTRIC TEST VOLTAGE: 2200V
- MECHANICAL DATA:**  
KNOCKOUT HOLE SIZE FOR PANEL MOUNT: 22.2mm [.88"]  
TEMPERATURE RANGE: -40°C to 90°C  
PROTECTION: IP67 (MATED CONDITION)  
MATING CYCLES: >500  
VIBRATION RESISTANCE PER MIL-STD-202 METHOD 204  
THERMAL SHOCK PER MIL-STD-202 METHOD 207  
48 HOUR SALT SPRAY PER MIL-STD-202 METHOD 101
- RoHS COMPLIANT**
- UL 2237 LISTED ASSEMBLY**  
UL FILE NUMBERS: E339703

Amphenol P/N	MOLEX	TURCK
P29030-M*	CR3006A30M*	GSDP30-*M/14.5/NPT
P29030-M.5	CR3006A30M005	GSDP30-.5M/14.5/NPT
P29030-M1	CR3006A30M010	GSDP30-1M/14.5/NPT
P29030-M2	CR3006A30M020	GSDP30-2M/14.5/NPT
P29030-M3	CR3006A30M030	GSDP30-3M/14.5/NPT

TOLERANCE	
0-2.99 M = +100.0/-25.0mm	0-9.99 FT = +4" / -1"
3-8.99 M = +150.0/-25.0mm	10.00-29.99 FT = +6" / -1"
9-14.99 M = +300.0/-25.0mm	30.00-49.99 FT = +12" / -1"
15-OVER M = +450.0/-25.0mm	50 FT-OVER = +18" / -1"

QUANTITY	PART NUMBER	DESCRIPTION	ITEM
<b>MATERIALS LIST</b>			
UNLESS OTHERWISE SPECIFIED		SIGNATURES DATE	
1) All dimensions are in metric (mm).		DRAWN: KMM 12-MAY-14	
2) Tolerances are as follows:		CHECKED: MRF 12-MAY-14	
1 PL DEC ±0.30   Fractions ±1/64		ENGINEER: KMM	
2 PL DEC ±0.15		APPROVAL: RFC 12-MAY-14	
3 PL DEC ±0.08		CUSTOMER:	
3) Note reference =		THIS DRAWING IS SUPPLIED FOR INFORMATION ONLY. DESIGN FEATURES, SPECIFICATIONS AND PERFORMANCE DATA SHOWN HEREON ARE THE PROPERTY OF THE AMPHENOL CORPORATION. NO RIGHTS OF REPRODUCTION ARE IMPLIED. ALL DIMENSIONS ARE SUBJECT TO NORMAL MANUFACTURING VARIATIONS.	
MATERIAL SPECIFICATIONS:		M35 PB LITE, 3 PIN, MALE RECEPTACLE TRUNK, 10 AWG, 1/2 - 14NPT	
PROCESS SPECIFICATIONS:		SIZE	TYPE
NEXT ASSY:		C-	PP29030-Mxxx
		DWG NO:	REVISION
			A1
		SCALE	SHEET 1 OF 1
		FULL	

TTT-435 PB LITE, 3 PIN, MALE REC, 10AWG, 1/2-14NPT  
 dwg no: C-PP29030-Mxxx  
 rev: A1  
 sh: 1  
 of: 1