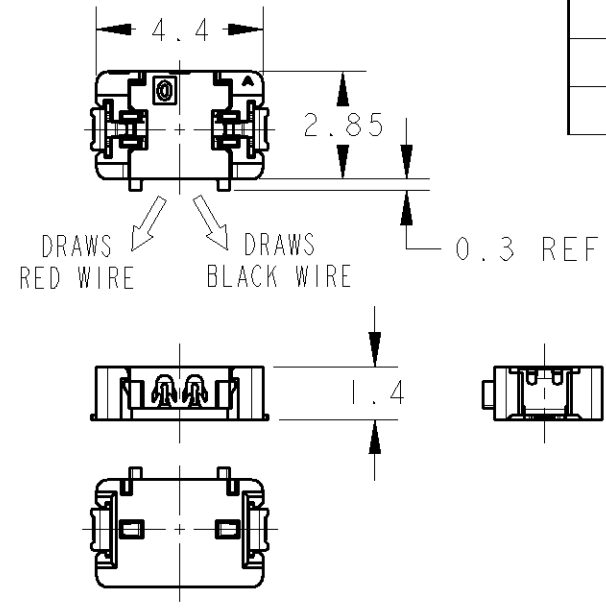
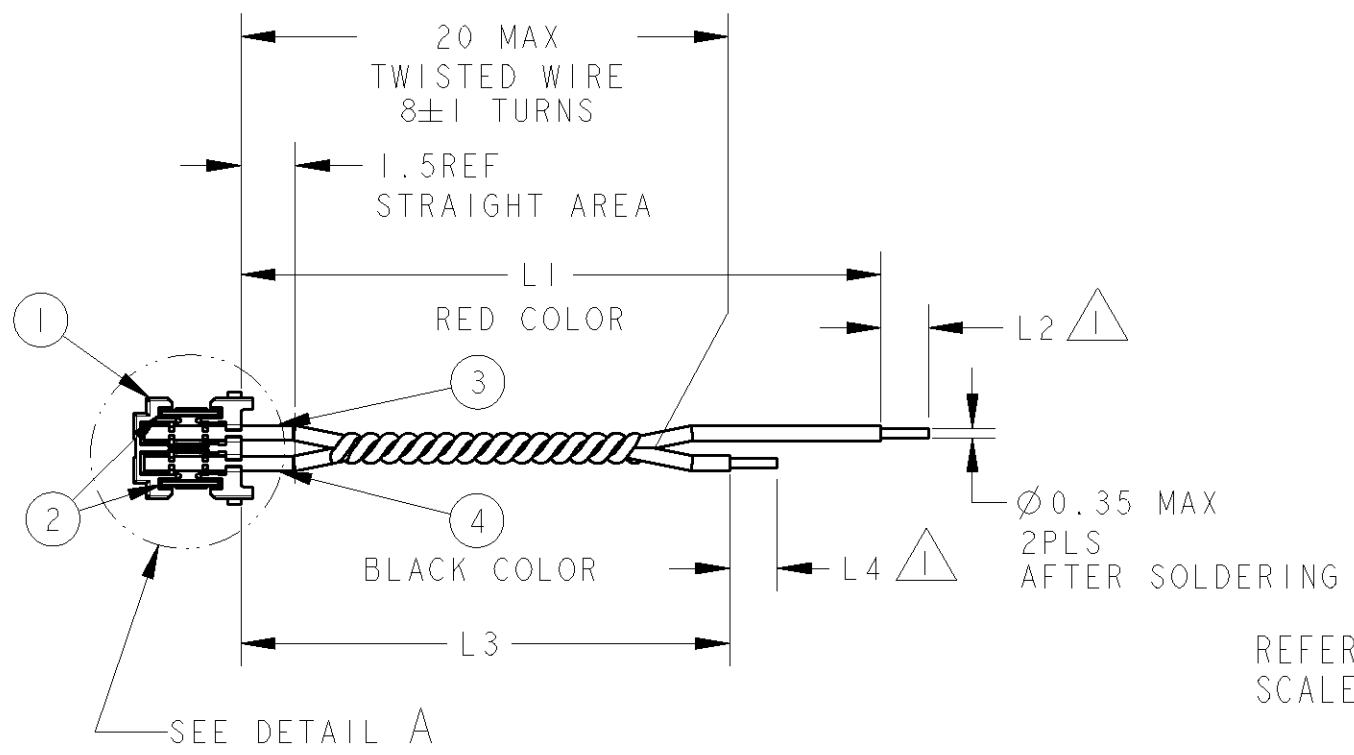


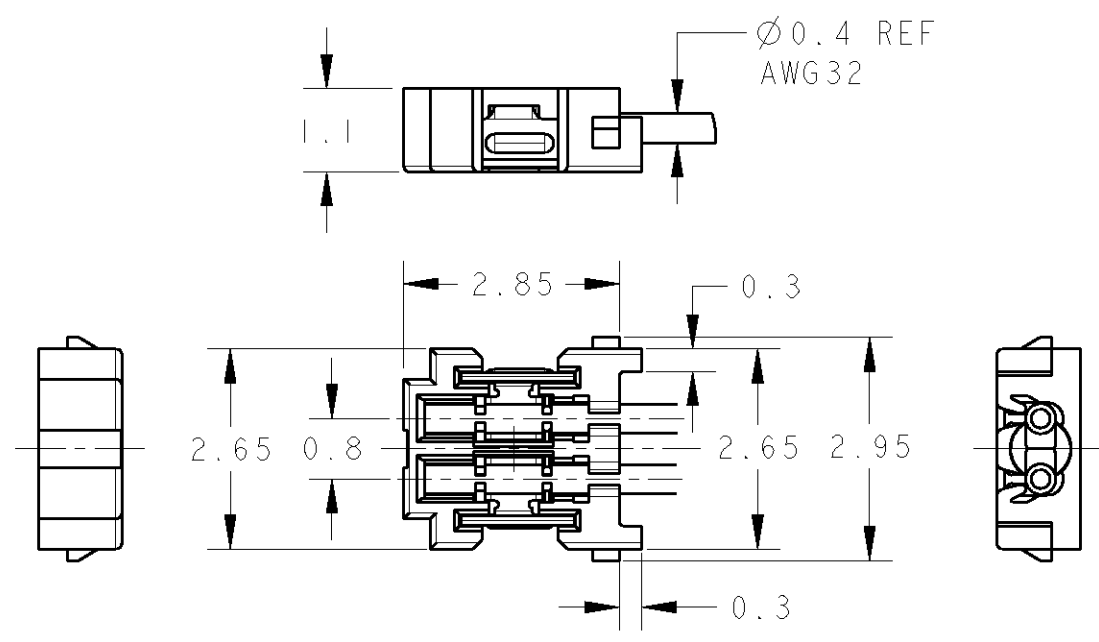
THIS DRAWING IS UNPUBLISHED. RELEASED FOR PUBLICATION 2007
 © COPYRIGHT 2007 BY TYCO ELECTRONICS CORPORATION. ALL RIGHTS RESERVED.

LOC	DIST	REVISIONS			
P	LTR	DESCRIPTION	DATE	DWN	APVD
	C	REVISED	23OCT2007	R.T	Y.N
	CI	REVISED	06DEC2007	R.T	Y.N



NOTE
 1 OUTER COVER CABLE IS PEELED AND SOLDERED. THE STRANDED CONDUCTOR SHALL BE NOT BROKEN.
 2 MINIMUM PACKING QTY: 120EA PER POLY BAG

REFERENCE CONNECTOR MATING CONDITION
 SCALE 5:1



DETAIL A, CONNECTOR DIMENSIONS
 SCALE 10:1

NOTICE:
 THIS DRAWING INCLUDES TYCO ELECTRONICS CONFIDENTIAL OR PROPRIETARY INFORMATION THAT MAY ALSO BE LEGALLY PRIVILEGED.

1±0.5	24±1	1±0.5	29±1	2013366-1
L4	L3	L2	L1	PART NUMBER

QTY	MATERIAL, FINISH	DESCRIPTION	ITEM
1	UL1867 PVC FREE INSULATED SOFT COPPER WIRE, AWG32, BLACK, SUMIFLON ETFE	BLACK CABLE	④
1	UL1867 PVC FREE INSULATED SOFT COPPER WIRE, AWG32, RED, SUMIFLON ETFE	RED CABLE	③
2	MICRO SLP WIRE CONNECTOR 2P, CONTACT MATERIAL: PHOS BRO FINISH: Au 0.3µm MIN OVER Ni 1.3µm MIN	CONTACT	②
1	MICRO SLP WIRE CONNECTOR 2P, INSULATOR MATERIAL: PA66, BR FREE	INSULATOR	①

<small>THIS DRAWING IS A CONTROLLED DOCUMENT FOR TYCO ELECTRONICS CORPORATION. IT IS SUBJECT TO CHANGE AND THE CONTROLLING ENGINEERING ORGANIZATION SHOULD BE CONTACTED FOR THE LATEST REVISION.</small>		DWN R.TANAKA 11JUN2007 CHK C.OHASHI 11JUN2007 APVD Y.NAKAZAWA 11JUN2007		Tyco Electronics AMP K.K. Kawasaki, Japan	
DIMENSIONS: mm 		TOLERANCES UNLESS OTHERWISE SPECIFIED: 0 PLC ±0.2 1 PLC ±0.15 2 PLC ±0.1 3 PLC ±0.1 4 PLC ±0.1 ANGLES ±5		NAME MICRO SLP CONNECTOR, 2POS CABLE ASSEMBLY PRODUCT SPEC 108-78466-1 APPLICATION SPEC 114-5426	
MATERIAL SEE TABLE		FINISH SEE TABLE		WEIGHT 0.03g SIZE A3 CAGE CODE 00779 DRAWING NO C-2013366 RESTRICTED TO -	
CUSTOMER DRAWING				SCALE 5:1 SHEET 1 OF 1 REV CI	