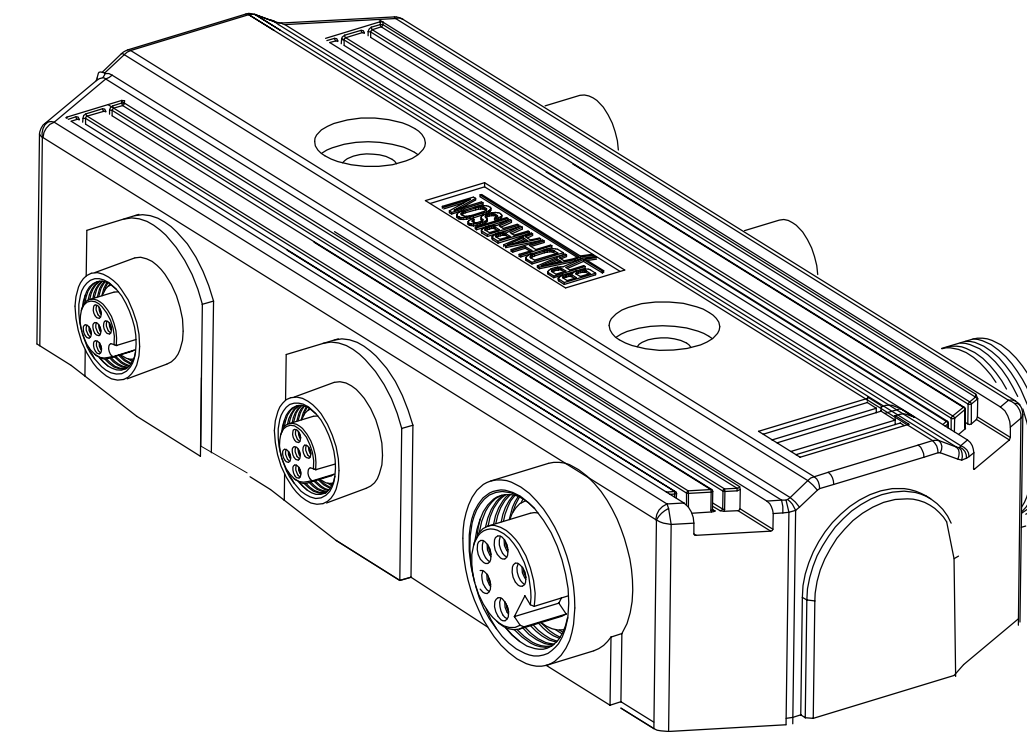
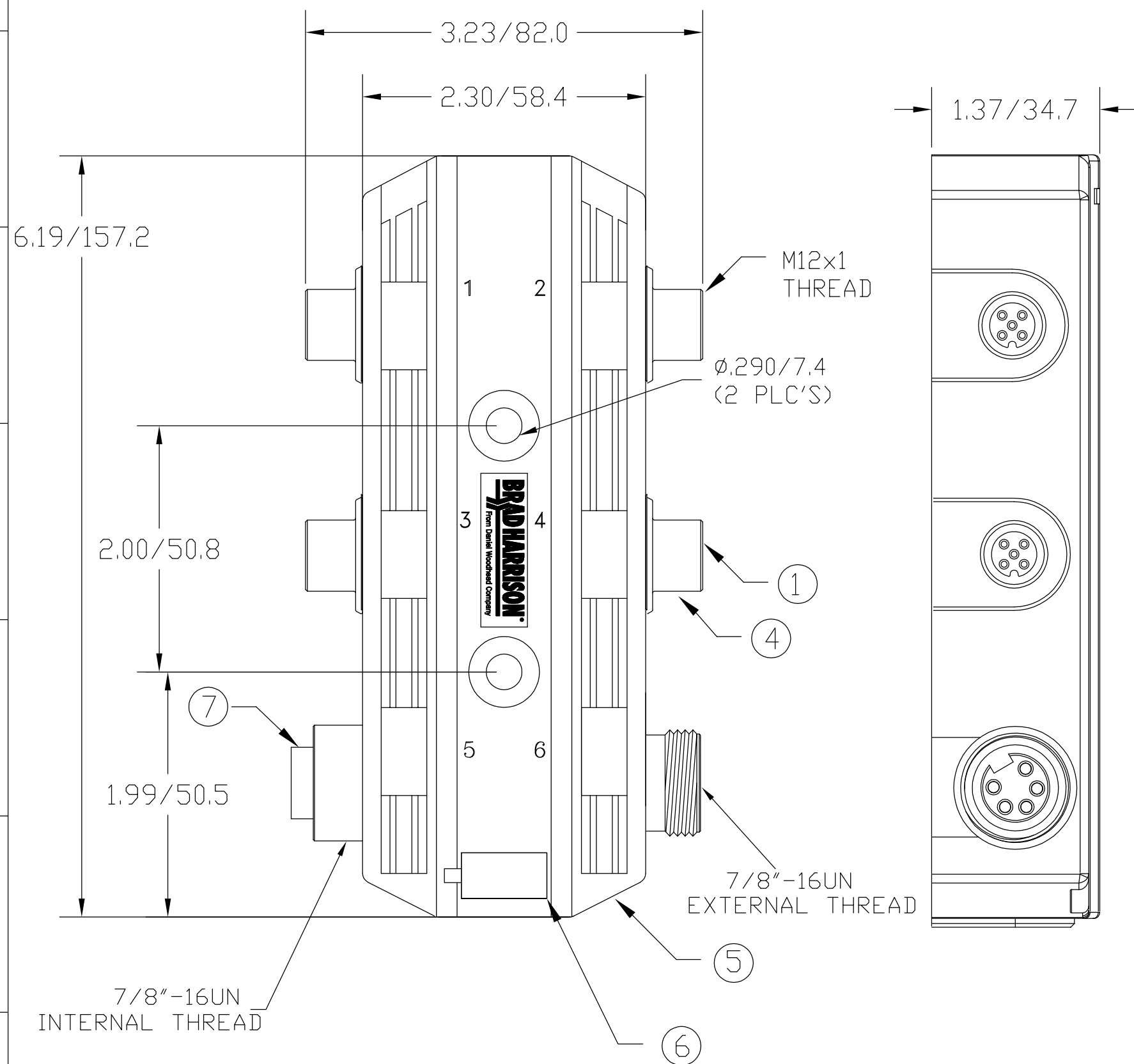
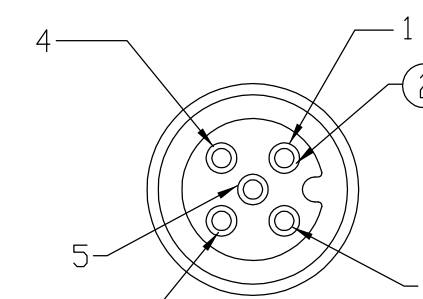
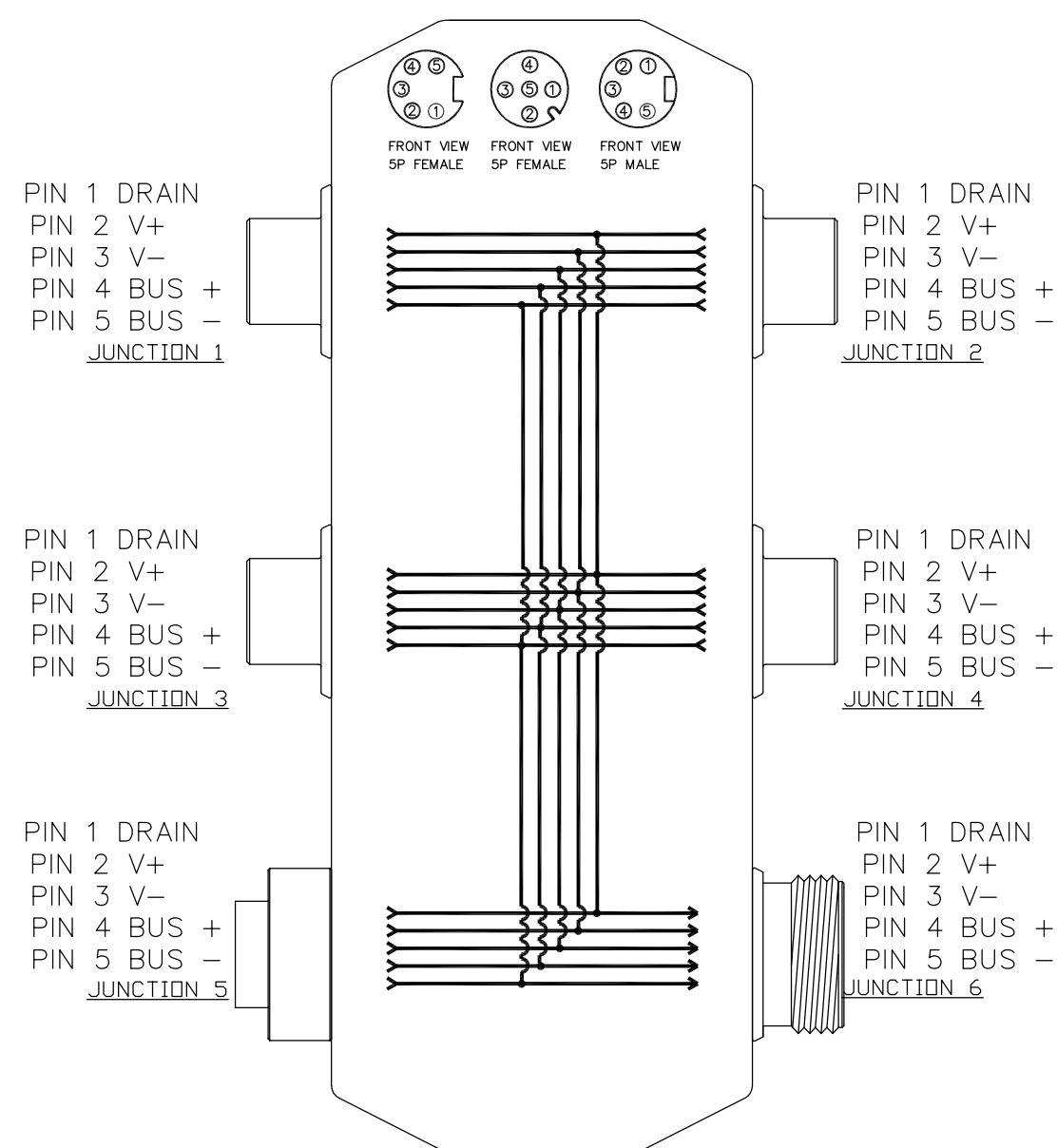


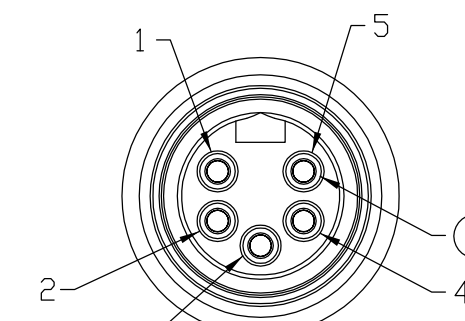
| | |
|------------------------|------------------------|
| MATERIAL NUMBER | OLD PART NUMBER |
| 130036-0012 | DND4100 |



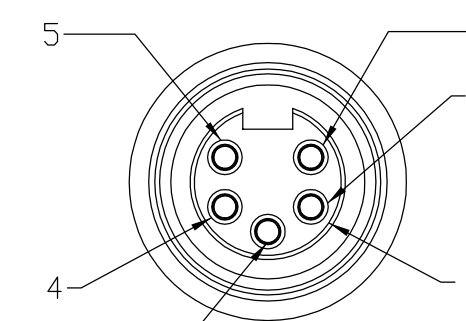
SCHEMATIC



FEMALE FACE VIEW



MALE FACE VIEW



FEMALE FACE VIEW

| | |
|-----------------------|-------------|
| VOLTAGE RATING | 120 VAC/VDC |
| AMPERAGE RATING | 7 AMPS |
| PROTECTION | IP67 |
| OPERATING TEMPERATURE | 0°C TO 60°C |

| ITEM | COMPONENT | MATERIAL | FINISH |
|------|------------------|---------------|------------------|
| 1 | INSERT | NYLON | BLACK |
| 2 | CONTACT SOCKET | COPPER ALLOY | GOLD OVER NICKEL |
| 3 | CONTACT PIN | COPPER ALLOY | GOLD OVER NICKEL |
| 4 | RECEPTACLE SHELL | ZINC DIE CAST | BLACK E-COATED |
| 5 | HOUSING | PBT | BLACK |
| 6 | LABEL | ABS | WHITE |
| 7 | INSERT | PVC | GRAY |
| | POTTING MATERIAL | EPOXY | BLACK |

| | | | | | | | | | | | | | | | | | | | | |
|--|--------------------|--|---|---|----|------|----------|-------|-------|----------|-------|-------|----------|-------|------|---------|------|-------|---|---|
| RLSD DRAWING EC NO: WNA2010-0020 DRWN: BWOODMAN 7/9/09 CH'KD: JM APPR: JFMURPHY 2009/07/20 A | DESCRIPTION REV | QUALITY SYMBOL $\nabla=0$ $\sphericalangle=0$ | GENERAL TOLERANCES (UNLESS SPECIFIED) <table border="1"> <tr> <td></td> <td>mm</td> <td>INCH</td> </tr> <tr> <td>4 PLACES</td> <td>±----</td> <td>±----</td> </tr> <tr> <td>3 PLACES</td> <td>±----</td> <td>±----</td> </tr> <tr> <td>2 PLACES</td> <td>±----</td> <td>±.01</td> </tr> <tr> <td>1 PLACE</td> <td>±0.3</td> <td>±----</td> </tr> </table> | | mm | INCH | 4 PLACES | ±---- | ±---- | 3 PLACES | ±---- | ±---- | 2 PLACES | ±---- | ±.01 | 1 PLACE | ±0.3 | ±---- | DIMENSION STYLE IN/MM DRAWN BY: BW DATE: 2009/07/08 CHECKED BY: TW DATE: 2009/07/08 APPROVED BY: _____ DATE: _____ | SCALE: _____ DESIGN UNITS: _____ THIRD ANGLE PROJECTION |
| | | | mm | INCH | | | | | | | | | | | | | | | | |
| | | 4 PLACES | ±---- | ±---- | | | | | | | | | | | | | | | | |
| | | 3 PLACES | ±---- | ±---- | | | | | | | | | | | | | | | | |
| 2 PLACES | ±---- | ±.01 | | | | | | | | | | | | | | | | | | |
| 1 PLACE | ±0.3 | ±---- | | | | | | | | | | | | | | | | | | |
| ANGULAR ±----° DRAFT WHERE APPLICABLE MUST REMAIN WITHIN DIMENSIONS | | | SEE CHART | MOLEX INCORPORATED TITLE: MICRO 4 PORT PASS-THRU DEVICENET MPIS | | | | | | | | | | | | | | | | |
| MATERIAL NO. _____ SIZE C | | | DOCUMENT NO. SD-130036-009 SHEET NO. 1 OF 1 | THIS DRAWING CONTAINS INFORMATION THAT IS PROPRIETARY TO MOLEX INCORPORATED AND SHOULD NOT BE USED WITHOUT WRITTEN PERMISSION | | | | | | | | | | | | | | | | |