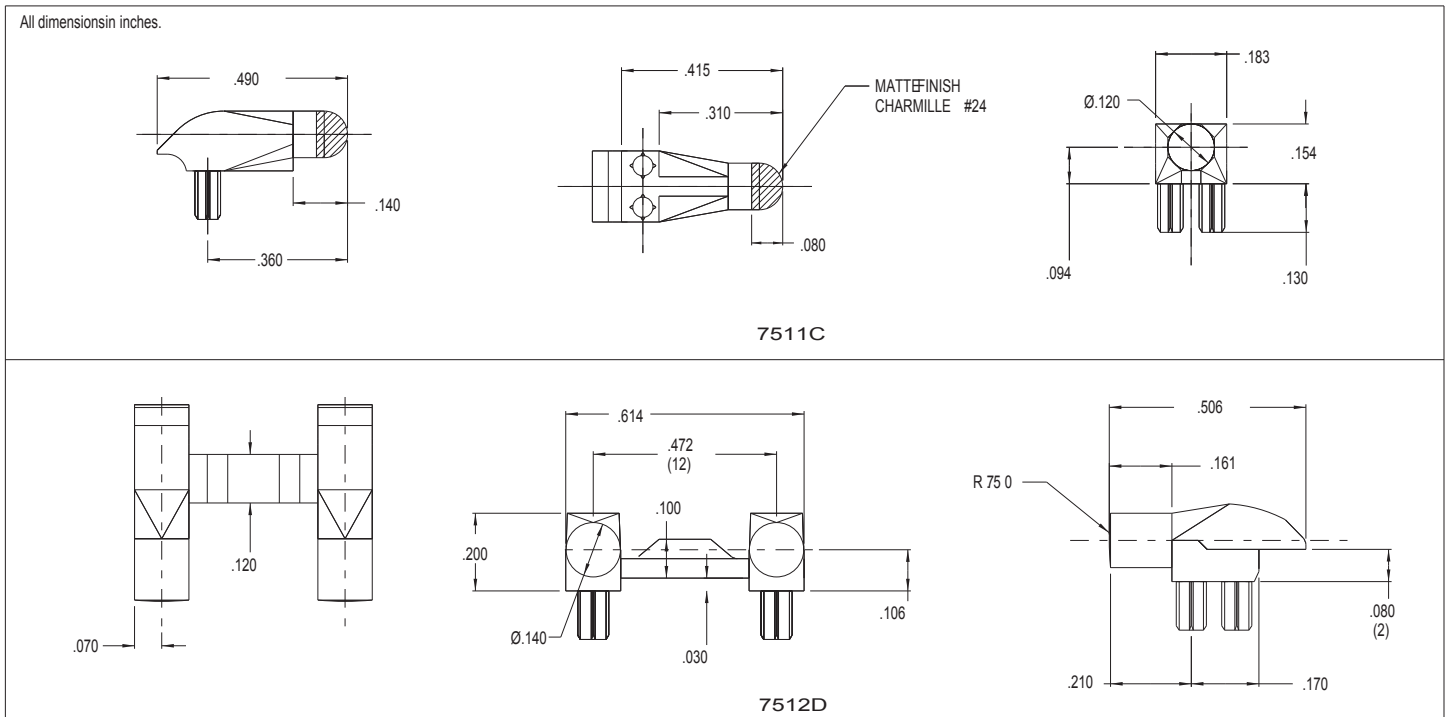


## 7511C & 7512D Series Bright Pipes™ Optical Lightpipes

### Description and Features



- Precision engineered with *ray tracing* for bright, optically precise even indication and attractive appearance.
- ESD protection from circuitry for exceptional reliability.
- High contrast and wide viewing angle for greater visibility.
- Available in a variety of colors for added contrast and aesthetics.
- Parts inserted after reflow to permit LED pad inspection before assembly.
- Compliance to UL94V-O.
- Low profile for height constrained applications.
- Large lens provides high visibility.
- 7511C features 3mm dome and is designed for use with 7012X Bright Chips™ SMT LEDs.
- 7512D is designed for use with 67-21 and 67-22 Bright Chip LEDs.

MODEL	OUTPUT COLOR
7511C2	CLEAR
7512D2	CLEAR

Refer to "Mounting Hole Pattern 2.pdf"