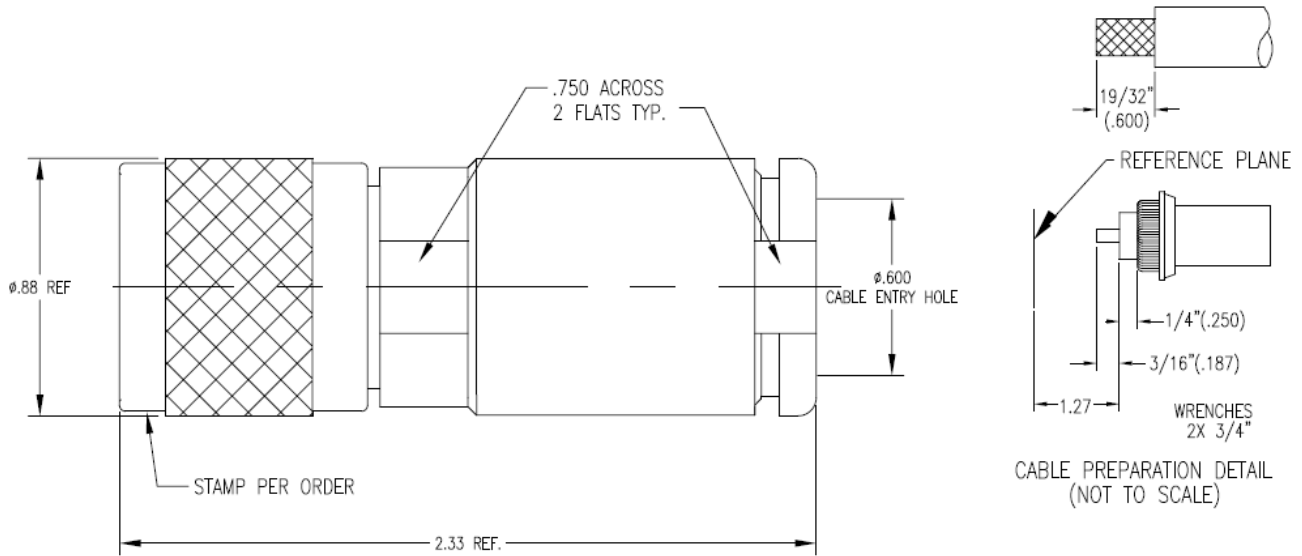


NOTICE OF PROPRIETARY RIGHTS THIS DOCUMENT CONTAINS CONFIDENTIAL TECHNICAL DATA, INCLUDING TRADE SECRETS, PROPRIETARY TO TIMES MICROWAVE SYSTEMS. DISCLOSURE OF THIS DATA IS EXPRESSLY CONDITIONED UPON YOUR ASSENT THAT ITS USE IS LIMITED TO USE WITHIN YOUR COMPANY ONLY. ANY OTHER USE IS STRICTLY PROHIBITED WITHOUT THE PRIOR WRITTEN CONSENT OF TIMES MICROWAVE SYSTEMS.

SYM	REVISION DESCRIPTION	DFTM	DATE	APPD	DATE
A	RELEASED FOR PRODUCTION	N. N. N	8/21/14	J. D. B.	8/21/14



BODY	CONTACT
NICKEL	SILVER

- | | |
|---|--|
| 1.0 PERFORMANCE | 2.3 LOCKING RING: PHOSPHOR BRONZE |
| 1.1 FREQUENCY RANGE: DC-4 GHz | 2.4 OTHER METAL PARTS: BRASS |
| 1.2 VOLTAGE RATING: 1500V RMS (sea level) | 2.5 DIELECTRIC: PTFE |
| 1.3 NOMINAL IMPEDANCE: 50 OHMS | 2.6 O-RING: AN 6227-17, CLASS B |
| 1.4 DWV: 5000V RMS @ 60Hz (sea level) | 3.0 FINISHES: SEE TABLE |
| 1.5 TEMPERATURE RANGE: -65°C to +165°C | 4.0 MECHANICAL |
| 2.0 MATERIALS | 4.1 INTERFACE IN ACCORDANCE WITH MIL-STD-348 |
| 2.1 OUTER CONTACT: PHOSPHOR BRONZE | |
| 2.2 CENTER CONTACT: BRASS | |

MATL:	UNLESS OTHERWISE SPECIFIED		DFTM. N. N. N	TIMES MICROWAVE SYSTEMS							
	USED ON: F	ALL DIMENSIONS ARE IN INCHES. ALL DIMENSIONS ARE AFTER PLATING. .XXX- ±.005 ALL MACHINED SURFACES R_{a} MAX. .XX- ±.01 ANG. ±1/2° FRACTIONAL- ±1/64 ©.004 MAX. TIR. ⊥ AXIS .001	DATE 8/21/14		TC-600-HNMC HN PLUG, STRAIGHT, CLAMP STYLE FOR LMR-600 CABLE						
SCALE: ~			DWG. SIZE A	DO NOT SCALE DRAWING		CODE IDENT 68999	DATE 8/21/14	DATE 8/21/14	CHKD. J. D. B.	DATE 8/21/14	APPD. J. D. B.