

NOTES.

1. MATERIAL : SEE TABLE

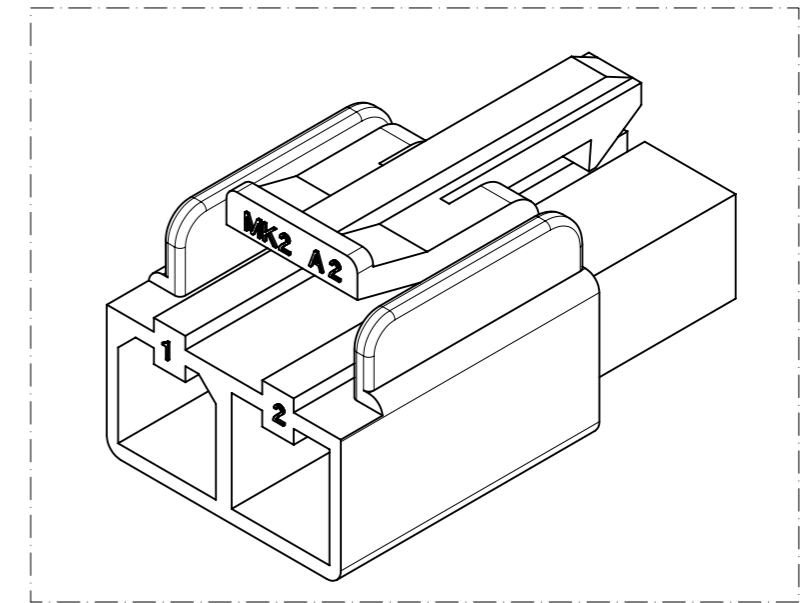
N	PRODUCT		MATERIAL	
	PART NO	MATERIAL NO	COLOR	DESCRIPTION
1	35151-0210	351510210	NATURAL	PBT UL94V-0
2	35151-0211	351510211	BLACK	
3	35151-0212	351510212	RED	
4	35151-0214	351510214	BLUE	PC/PET UL94V-0
5	35151-0219	351510219	NATURAL	
6	35151-2219	351512219	RED	
7	35151-3219	351513219	YELLOW	
8	35151-4219	351514219	BLUE	

2. MATED HOUSING : 35150-020*, 35150-021*

3. APPLICABLE TERMINAL : 35746-0*10

4. APPLICABLE T.P.A : 35150-0290

5. PRODUCT SPECIFICATION : PS-35150-001



FUNCTIONAL SYMBOLS	THIS DRAWING CONTAINS INFORMATION THAT IS PROPRIETARY TO MOLEX ELECTRONIC TECHNOLOGIES, LLC AND SHOULD NOT BE USED WITHOUT WRITTEN PERMISSION		CURRENT REV DESC:		molex	
	▽A = 0	DIMENSION UNITS: mm	SCALE: 3:1			
▽E = 0	GENERAL TOLERANCES (UNLESS SPECIFIED)			6.2 PITCH WW CONN FEMALE HSG-2P		
▽P = 0	ANGULAR TOL ± 1.0°					
DIVISIONAL SYMBOLS	4 PLACES	±	EC NO: 648465	2019/07/09	PRODUCT CUSTOMER DRAWING	
	3 PLACES	±	DRWN: SCHONG03	2020/11/05		
	2 PLACES	±	CHK'D: JDPARK01	2020/11/05		
	1 PLACE	±	APPR: JBJIN			
	0 PLACES	±	INITIAL REVISION:			
DRAFT WHERE APPLICABLE MUST REMAIN WITHIN DIMENSIONS		THIRD ANGLE PROJECTION	DRAWING: A3-SIZE	SERIES: 35151	MATERIAL NUMBER: SEE TABLE	CUSTOMER: GENERAL MARKET
					DOCUMENT NUMBER: SD-35151-021X	DOC TYPE: PSD
					DOC PART: 001	REVISION: J
					SHEET NUMBER: 1 OF 1	