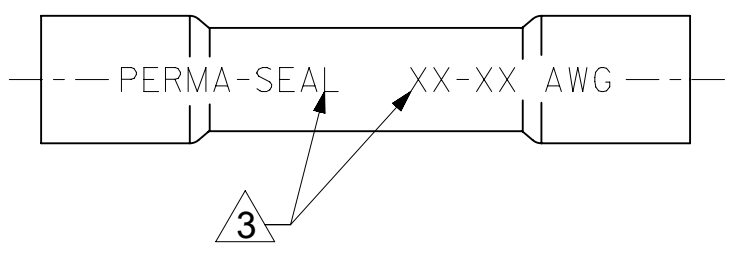
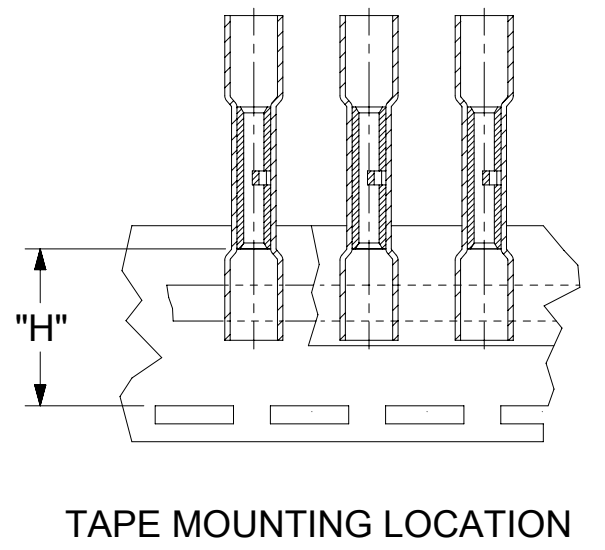
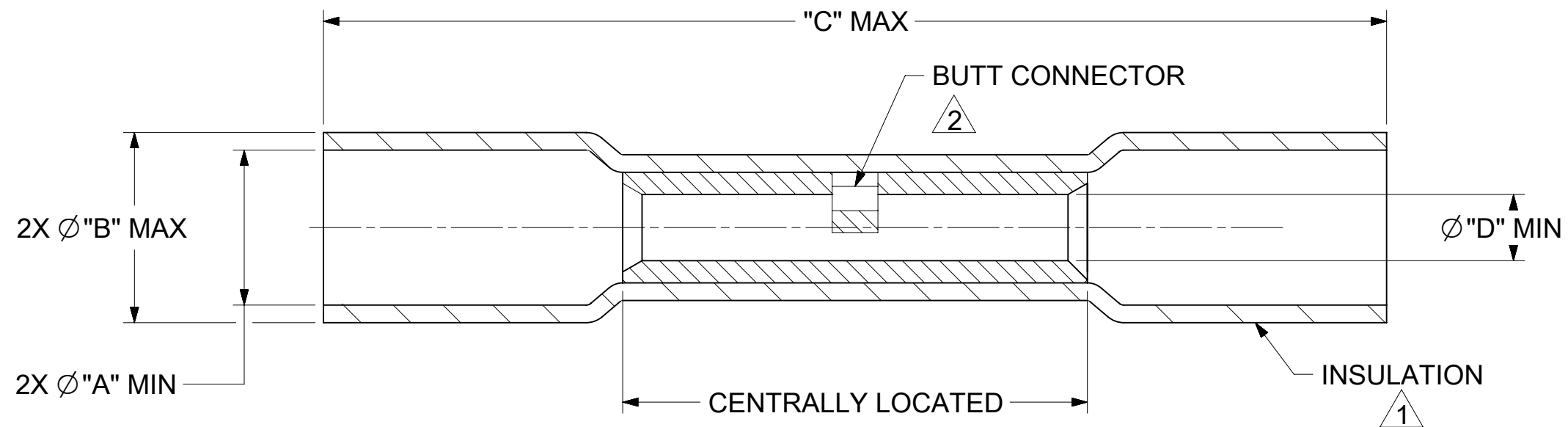


MAT'L NO.	ENG NO.	MAT'L NO. TAPE MOUNT	ENG NO. TAPE MOUNT	PERMA-SEAL COLOR	WIRE AWG	"A" MIN	"B" Ø MAX	"C" MAX	"H" ± .020 (0.51)	"D" MIN
191640013	SAA-22-18	191640014	SAA-22-18T	SAA-22-18T	22 - 18	.185 (4.70)	.280 (7.11)	1.55 (39.4)	.767 (19.48)	.059 (1.50)
191640044	SBB-16-14	191640045	SBB-16-14T	SBB-16-14T	16 - 14	.195 (4.95)	.308 (7.82)	1.55 (39.4)	.765 (19.43)	.091 (2.31)
191640056	SC-12-10	191640057	SC-12-10T	SC-12-10T	12 - 10	.275 (6.99)	.383 (9.73)	1.80 (45.7)	.800 (23.32)	.139 (3.53)
191640079	SD-354	----	----	----	8	.300 (7.62)	.448 (11.38)	2.05 (52.4)	----	.165 (4.19)



- NOTE(S):
- 1 INSULATION MATERIAL: HEAT SHRINKABLE TUBING WITH HOTMELT INNER LINER. (SEE CHART FOR COLOR).
 - 2 SEAMLESS TIN PLATED COPPER TERMINAL.
 - 3 PRINTED TEXT IN BLACK APPROX. .12(3.0) HIGH
 - 4. PARTS ARE RoHS COMPLIANT.

THIS DRAWING CONTAINS INFORMATION THAT IS PROPRIETARY TO MOLEX ELECTRONIC TECHNOLOGIES, LLC AND SHOULD NOT BE USED WITHOUT WRITTEN PERMISSION											
FUNCTIONAL SYMBOLS	DIMENSION UNITS	SCALE	CURRENT REV DESC: "H" TOLERANCE WAS +/- .010 (.025)								
	INCH/MM	1:1	molex PERMA-SEAL NIAC BUTT CONNECTORS PRODUCT CUSTOMER DRAWING								
GENERAL TOLERANCES (UNLESS SPECIFIED)		MM									
DIVISIONAL SYMBOLS	4 PLACES	±	±			DRWN: DEANNM1	2023/03/11		2023/03/11		
	3 PLACES	±	±			CHK'D: JMACNEIL	2023/03/11		2023/03/11		
	2 PLACES	±	±			APPR: JMACNEIL	2023/03/11		2023/03/11		
	1 PLACE	±	±			INITIAL REVISION:					
0 PLACES		±	±			DRWN: BENDERLE	2002/04/02		2002/04/03		
ANGULAR TOL		±	°			APPR: RDEROSS	2002/04/03		2002/04/03		
DRAFT WHERE APPLICABLE MUST REMAIN WITHIN DIMENSIONS			THIRD ANGLE PROJECTION		DRAWING	SERIES	MATERIAL NUMBER	CUSTOMER	SHEET NUMBER		
					B-SIZE	19164	SEE CHART	GENERAL MARKET	1 OF 1		