

POTTER & BRUMFIELD SOLID STATE RELAYS

SSR, SSRD and SSRT Series

TE Connectivity's (TE) Potter & Brumfield solid state relays are featured in Industrial applications, where silent, fast and long electrical life in switching is required. They are used in heating, power, lighting and motion applications. Solid state relays can operate with very low operating times (make/bounce) with practically no limit on number of switching cycles. These are best suited for fast and high switching cycle requirements. Solid state relays offer a longer electrical life since they do not contain any moving parts.

Applications

Motion Control

- Conveyer systems
- Solenoid
- Valve controls

Heating Control

- Plastic molding machinery
- HVAC & Refrigeration
- Professional food equipment

Power Control

- Power supplies
- Invertors
- Convertors
- UPS systems

Electrical

- 240V AC and 480V AC outputs
- 25, 50, & 125A rms versions
- 1 form A and 2 form A configurations
- Zero or random voltage turn-on version

Mechanical

- Standard "hockey puck" package
- Relay mounting type: Chassis Mount
- Coupling: Optical



Benefits

- Long electrical life
- Silent operation
- Shock and vibration resistance
- Low power consumption
- Fast switching
- Low electrical noise

Specifications


- UL approval: E29244

Materials

- Aluminum clad for heat dissipation
- UL 94-V0 engineering plastics

Product Selection Information


SSR Series - Solid State Relay, Paired SCR Output



Part Number	Part Code	Description
1-1393030-4	SSR-240A25	25A, 240V AC with AC input
1-1393030-5	SSR-240A50	50A, 240V AC with AC input
1-1393030-3	SSR-480A125	125A, 480V AC with AC input
5-1393030-0	SSR-480A25	25A, 480V AC with AC input
4-1393030-5	SSR-480A50	50A, 480V AC with AC input
1-1393030-6	SSR-240D125	125A, 240V AC with DC input
1-1393030-7	SSR-240D25	25A, 240V AC with DC input
1-1393030-8	SSR-240D25R	25A, 240V AC, random switching with DC input
1-1393030-0	SSR-240D50	50A, 240V AC with DC input
2-1393030-9	SSR-480D125	125A, 480V AC with DC input
3-1393030-0	SSR-480D25	25A, 480V AC with DC input
3-1393030-1	SSR-480D50	50A, 480V AC with DC input

For more part numbers see the [SSR Series data sheet](#) on [te.com](#)


SSRD Series - Dual Solid State Relay



Part Number	Part Code	Description
1-1393030-4	SSRD-240D25	2 NO, 240V AC, 25A DC Input
1-1393030-6	SSRD-240D40	2 NO, 240V AC, 40A DC Input
4-1393030-0	SSRD-240DE25	2 NO, 240V AC, 40A, 15V-32V DC Input
1-2319263-4	SSRD-240DE40	2 NO, 240V AC, 40A, 15V-32V DC Input

For more part numbers see the [SSRD Series data sheet](#) on [te.com](#)

SSRT Series - Solid State Relay, TRIAC Output

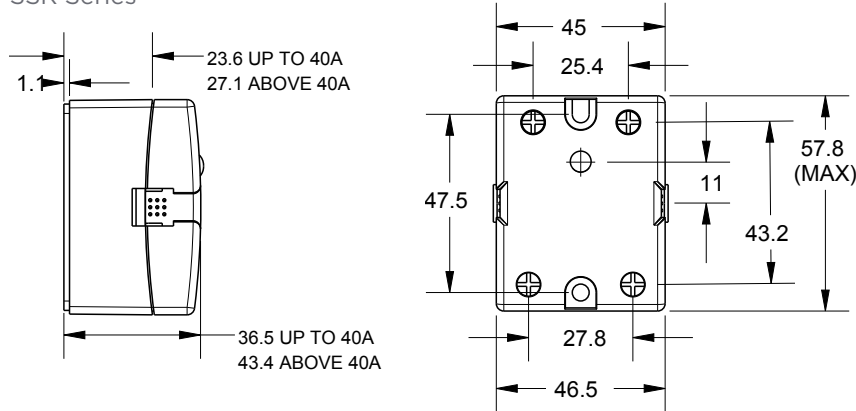


Part Number	Part Code	Description
1-1393030-9	SSRT-240A10	240V AC, 10A, TRIAC Output with AC Input
2-1393030-0	SSRT-240A25	240V AC, 25A, TRIAC Output with AC Input
2-1393030-1	SSRT-240D10	240V AC, 10A, TRIAC Output with DC Input
2-1393030-2	SSRT-240D25	240V AC, 25A, TRIAC Output with DC Input

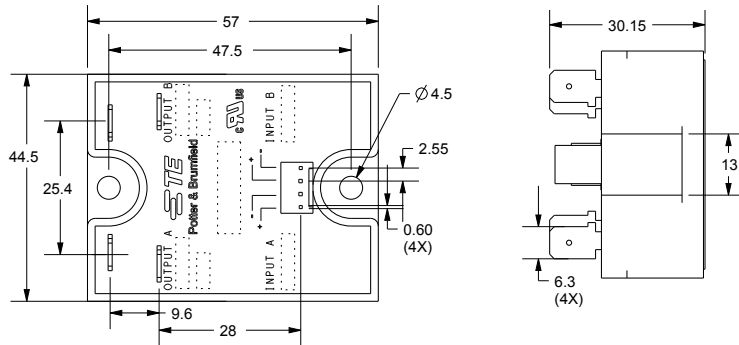
For more part numbers see the [SSRT Series data sheet](#) on [te.com](#)

Dimensions

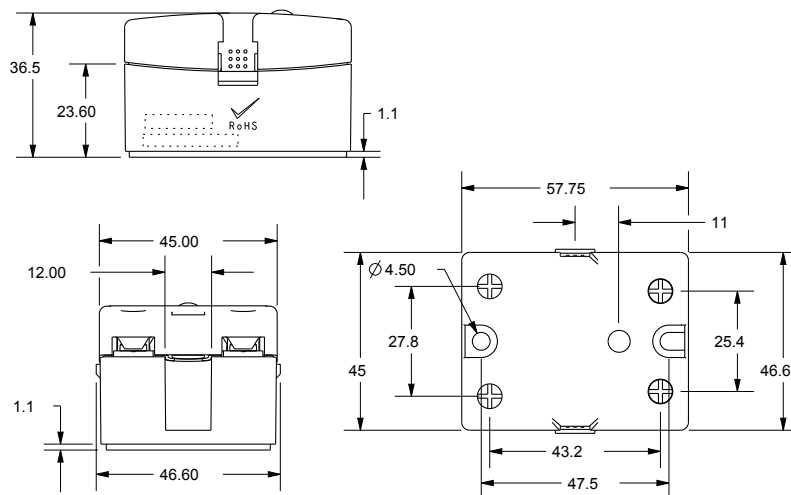
SSR Series



SSRD Series



SSRT Series



te.com

© 2018 TE Connectivity. All Rights Reserved. Potter & Brumfield, TE, TE Connectivity, and the TE connectivity (logo) are trademarks of the TE Connectivity Ltd. family of companies. Other logos, product and Company names mentioned herein may be trademarks of their respective owners.

While TE has made every reasonable effort to ensure the accuracy of the information in this brochure, TE does not guarantee that it is error-free, nor does TE make any other representation, warranty or guarantee that the information is accurate, correct, reliable or current. TE reserves the right to make any adjustments to the information contained herein at any time without notice. TE expressly disclaims all implied warranties regarding the information contained herein, including, but not limited to, any implied warranties of merchantability or fitness for a particular purpose. The dimensions in this catalog are for reference purposes only and are subject to change without notice. Specifications are subject to change without notice. Consult TE for the latest dimensions and design specifications.

1-1773943-7 JN 01/2018

USA: +1 (800) 522-6752
 Canada: +1 (905) 475-6222
 Mexico: +52 (0) 55-1106-0800
 Latin/S. America: +54 (0) 11-4733-2200
 Germany: +49 (0) 6251-133-1999
 UK: +44 (0) 800-267666
 France: +33 (0) 1-3420-8686
 The Netherlands: +31 (0) 73-6246-999
 China: +86 (0) 400-820-6015