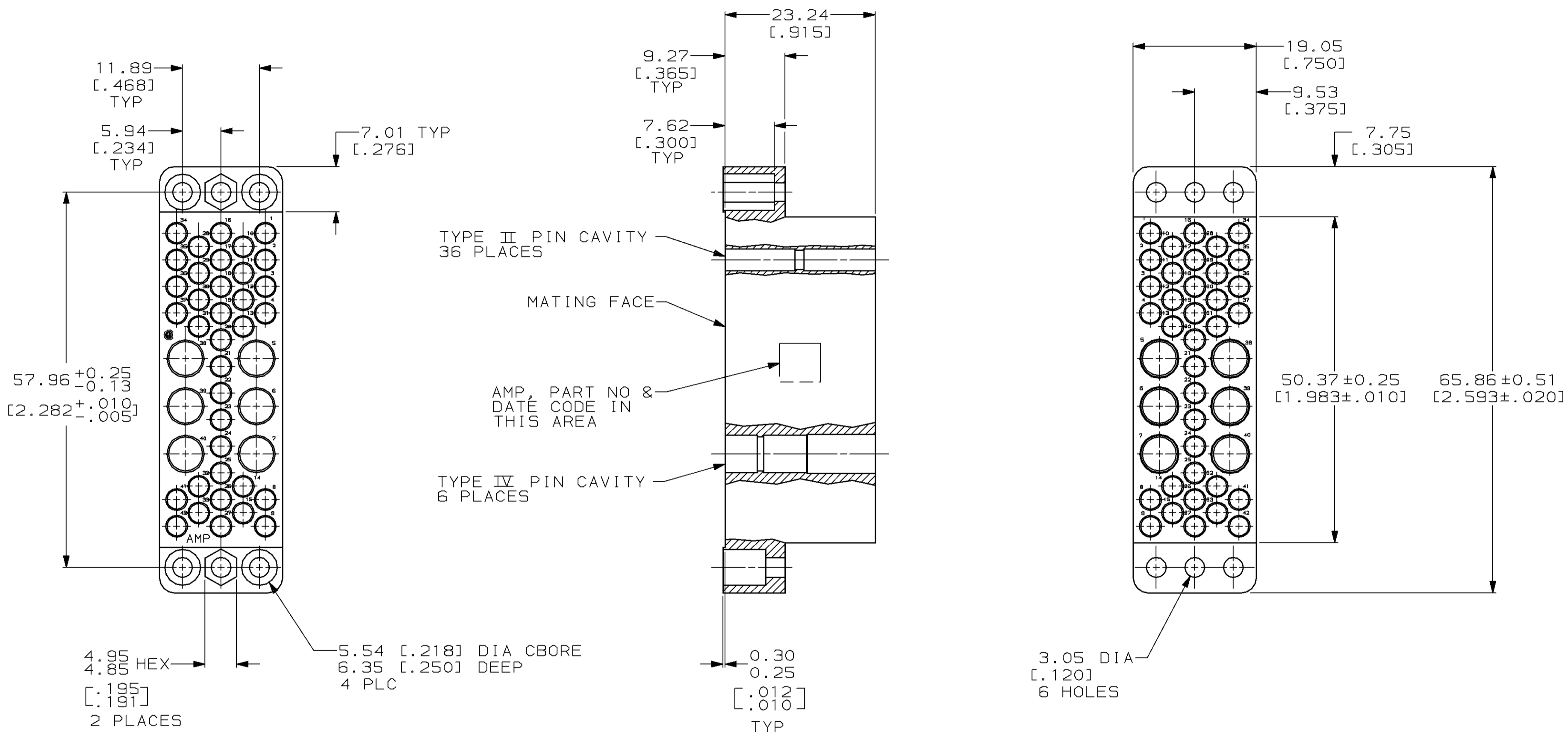


M		Loc	DIST	P	F	REVISIONS				
						ZONE	LTR	DESCRIPTION	DATE	APPD
25	BD		36				B	REVISED & REDRAWN PER BD2996	08/01/89	-
							C	OBS -3 PER EC 0020-0186-94	03/11/94	GS



- ① PHENOLIC PER MIL-M-14, TYPE MFH, BLACK.
- ② DIALLYL PHTHALATE PER MIL-M-14, TYPE SDG-F, BLUE.
- ③ DIALLYL PHTHALATE PER MIL-M-14, TYPE SDG-F, GREEN.

	③	204186-5
OBSOLETE	②	204186-3
OBSOLETE	①	204186-1
	MATERIAL	PART NO

DO NOT SCALE PRINT. UNLESS SPECIFIED DIMENSIONS IN mm [INCHES] TOLERANCES ON : 2 PLC DEC ± 0.13 [0.005] 3 PLC DEC ± - ANGLES ± -	DR 08/01/89 L.SIPE	AMP INCORPORATED Harrisburg, Pa. 17105		
	CHK 8-7-89 J.McCLINTON			
MATERIAL SEE TABLE	APPD 8-7-89 R.WALTER	SIZE	CAGE CODE	DRAWING NO
FINISH -	APPD 8-7-89 D.SUMMERS	<b>C</b>	00779	204186
	PRODUCT SPEC -	SCALE	2:1	SHEET 1 OF 1
	APPLICATION SPEC -			
	WEIGHT -			