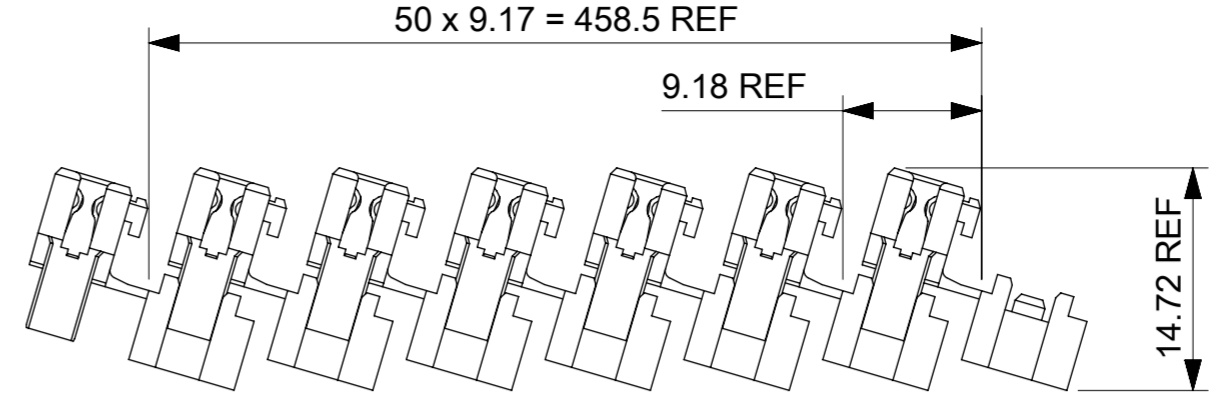
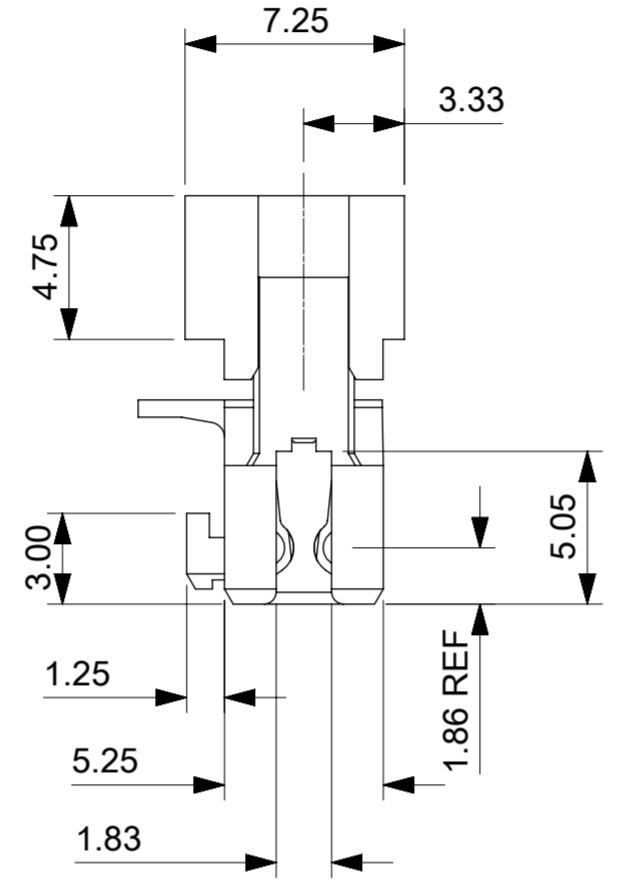
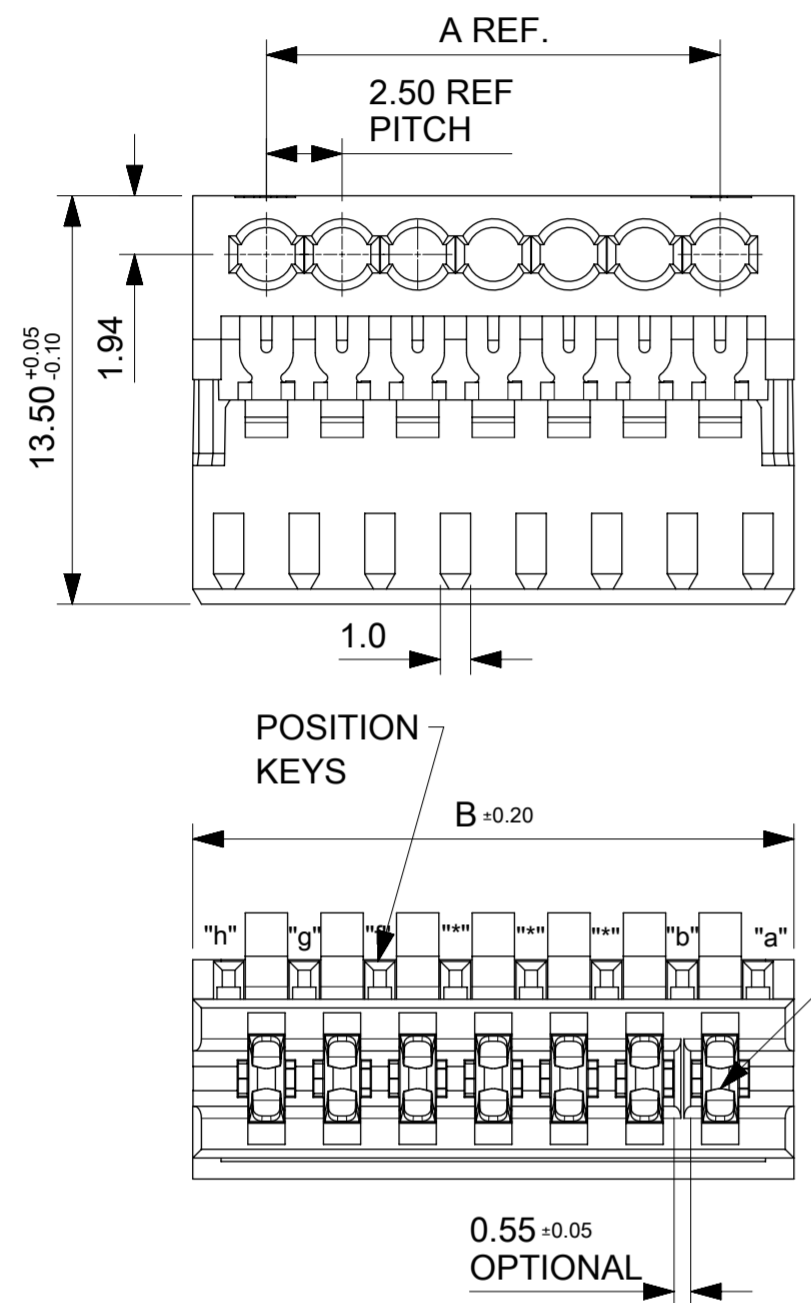
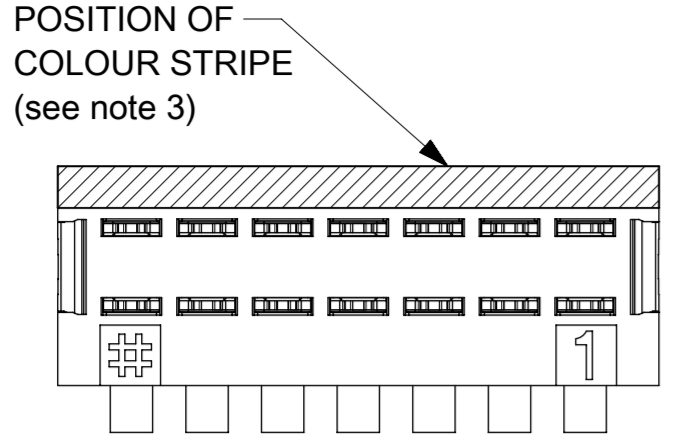
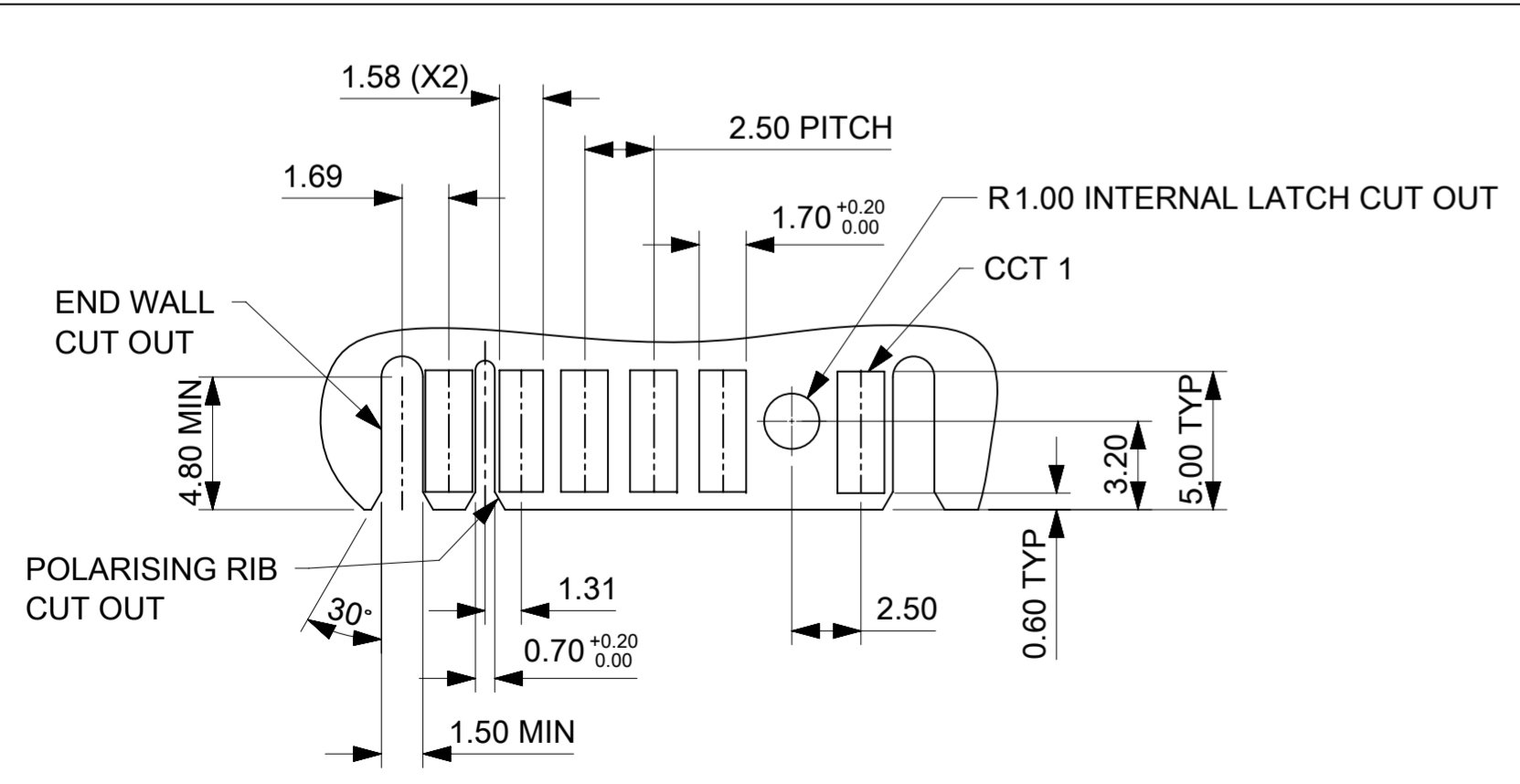
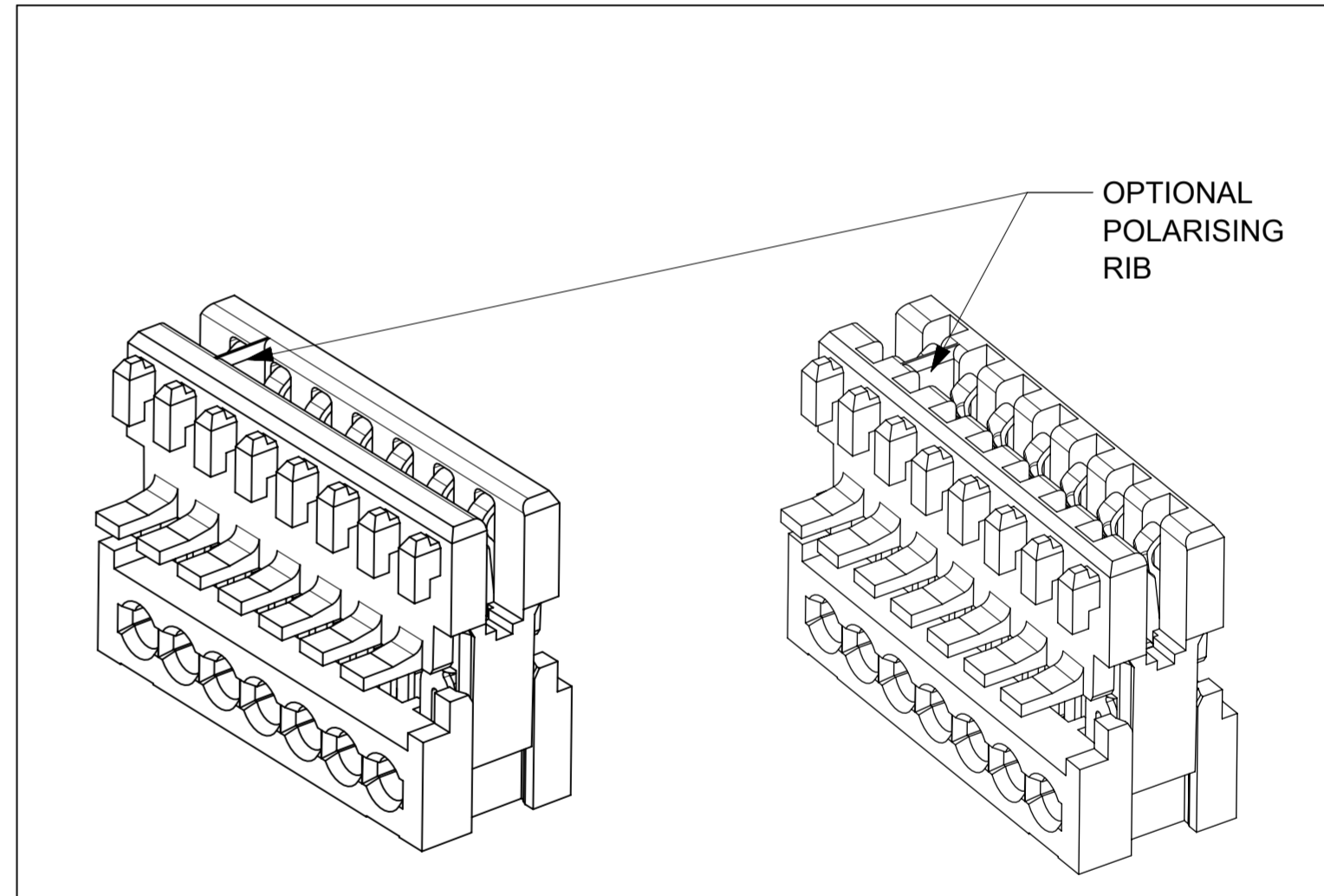
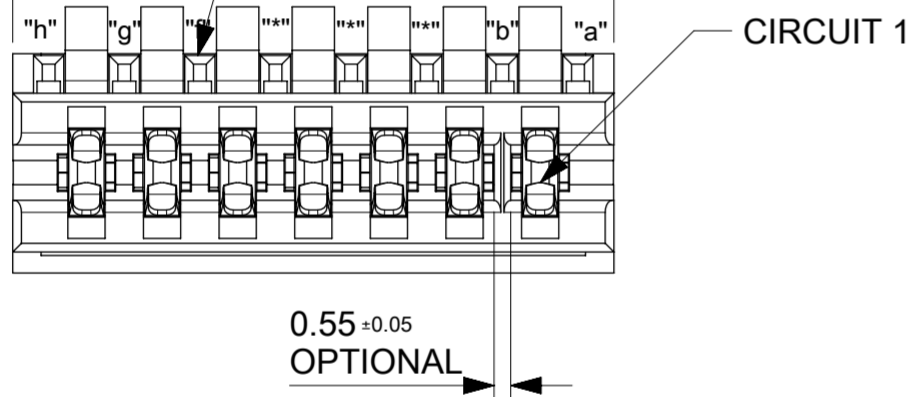


4000012662



SHIPPING ARRANGEMENT SCALE 2:1

| CCT | A | B |
|-----|------|--------|
| 3 | 5.0 | 9.875 |
| 4 | 7.5 | 12.375 |
| 5 | 10.0 | 14.875 |
| 6 | 12.5 | 17.375 |
| 7 | 15.0 | 19.875 |
| 8 | 17.5 | 22.375 |
| 9 | 20.0 | 24.875 |
| 10 | 22.5 | 27.375 |
| 11 | 25.0 | 29.875 |
| 12 | 27.5 | 32.375 |
| 13 | 30.0 | 34.875 |
| 14 | 32.5 | 37.375 |
| 15 | 35.0 | 39.875 |

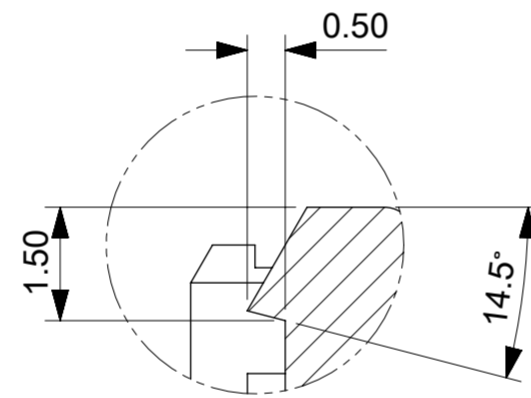
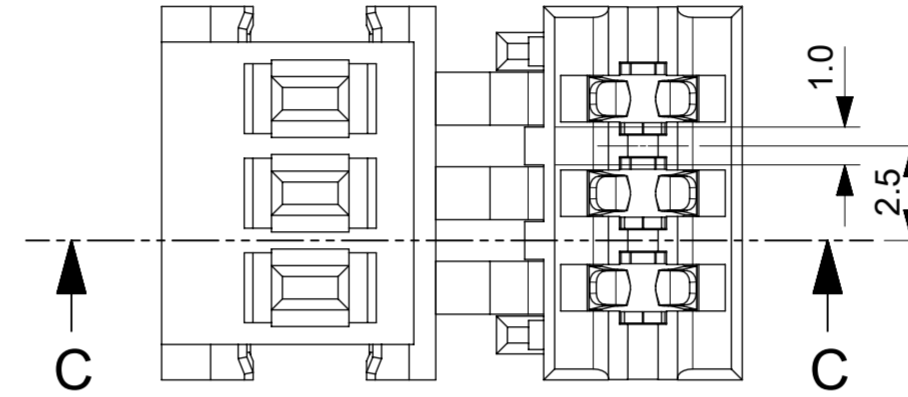
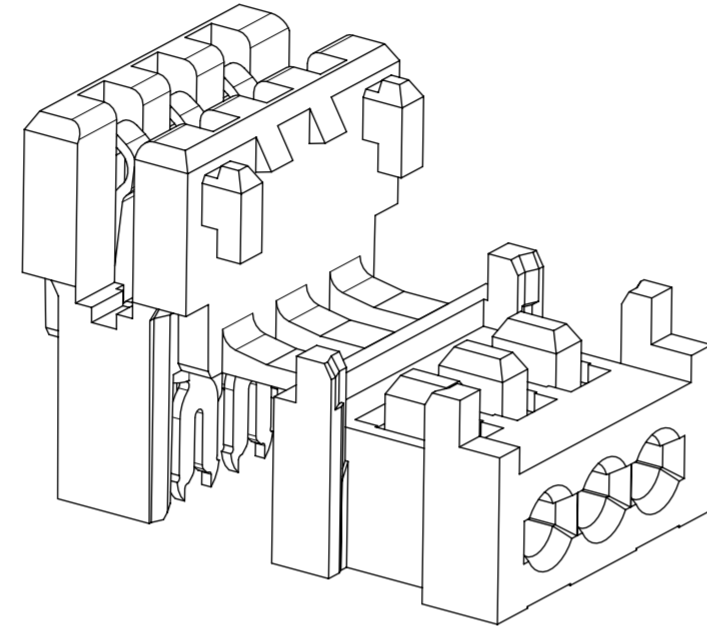


- NOTES:
 1. REFER TO PRODUCT SPECIFICATION: PS-99020-0040.
 2. MATERIAL: HOUSING - POLYAMIDE 6 (PA6) UL94-V2. COLOUR NATURAL. TERMINAL: PHOSPHOR BRONZE 0.30 REF. THICK - PLATING HOT TIN DIP.
 3. COLOUR STRIPE IS OPTIONAL. AVAILABLE IN THE FOLLOWING COLOURS: RED, GREEN, BLUE. (BLACK SIGNIFIES CUSTOMER SPECIFIC CONFIGURATION).
 4. REFER TO PACKAGING SPEC (PK-90871-001)
 5. REFER TO APPLICATION SPEC (990330008 AS)
 6. FOR CIRCUIT SIZES LARGER THAN 15CCT - CONTACT ENG. DEPT.
 7. REFER TO WORK INSTRUCTION WI1643

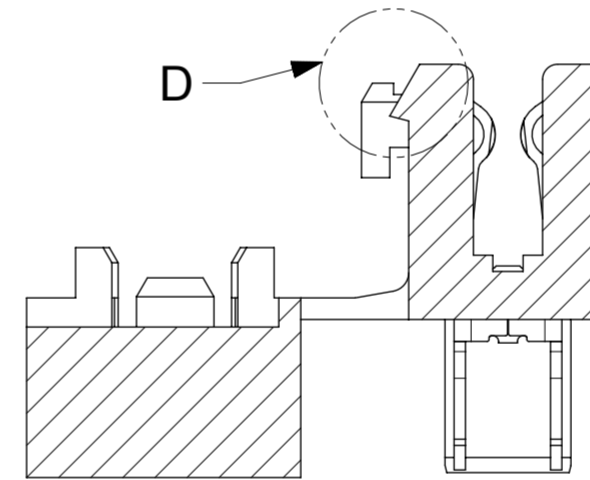
- PCB LAYOUT FOR 7CCT CONNECTOR : RECOMMENDED THICKNESS 1.5±0.14 SHOWN WITH OPTIONAL POSITIONAL RIB SLOT BETWEEN CCT 6&7 & OPTIONAL LATCH CUTOUT AT POSITION 2 & OPTIONAL END WALL CUT OUTS.
 - PAD WIDTH 1.7MM. PADS NEXT TO RIB CUT OUT 1.58MM WIDE.

| | | | | | | | | | |
|---|--|--|--|-------------------|--|------------|--|---|--|
| THIS DRAWING CONTAINS INFORMATION THAT IS PROPRIETARY TO MOLEX ELECTRONIC TECHNOLOGIES, LLC AND SHOULD NOT BE USED WITHOUT WRITTEN PERMISSION | | | | | | | | | |
| DIMENSION UNITS: mm | | SCALE: | | CURRENT REV DESC: | | | | | |
| GENERAL TOLERANCES (UNLESS SPECIFIED) | | ANGULAR TOL ± 0.5° | | EC NO: 715256 | | | | | |
| 4 PLACES ± | | 3 PLACES ± 0.05 | | DRWN: MBN02 | | 2022/02/01 | | APPLI-MATE 2.5 FEMALE | |
| 2 PLACES ± 0.1 | | 1 PLACE ± 0.2 | | CHK'D: MBN02 | | 2022/07/06 | | G.W.T 750 VERSION WITH BEAD ON TERMINAL | |
| 0 PLACES ± | | DRAFT WHERE APPLICABLE MUST REMAIN WITHIN DIMENSIONS | | APPR: EDUGGER | | 2022/08/17 | | PRODUCT CUSTOMER DRAWING | |
| THIRD ANGLE PROJECTION | | DRAWING | | INITIAL REVISION: | | SERIES | | DOCUMENT NUMBER | |
| A2-SIZE | | 93334 | | DRWN: CFISHER01 | | 2016/01/28 | | 933340001 | |
| MATERIAL NUMBER | | CUSTOMER | | APPR: MSHANAHAN | | 2016/05/16 | | DOC TYPE DOC PART REVISION | |
| SEE SHEET 2-13 | | GENERAL MARKET | | SHEET NUMBER | | 1 OF 13 | | PSD 000 AC1 | |

3 CCT LOCK RETENTION
93334-0057 ONLY



DETAIL D
SCALE 10:1



SECTION C-C

THIS DRAWING CONTAINS INFORMATION THAT IS PROPRIETARY TO MOLEX ELECTRONIC TECHNOLOGIES, LLC AND SHOULD NOT BE USED WITHOUT WRITTEN PERMISSION

| | | | | | | |
|--|--------|----------------------------|--|----------------|--------------|----------|
| DIMENSION UNITS | SCALE | CURRENT REV DESC: | molex | | | |
| mm | | | | | | |
| GENERAL TOLERANCES (UNLESS SPECIFIED) | | | APPLI-MATE 2.5 FEMALE G.W.T 750 VERSION WITH BEAD ON TERMINAL | | | |
| ANGULAR TOL | ± 0.5° | EC NO: 715256 | PRODUCT CUSTOMER DRAWING | | | |
| 4 PLACES | ± | DRWN: MBN02 2022/02/01 | DOCUMENT NUMBER | DOC TYPE | DOC PART | REVISION |
| 3 PLACES | ± 0.05 | CHK'D: MBN02 2022/07/06 | 933340001 | PSD | 000 | AC1 |
| 2 PLACES | ± 0.1 | APPR: EDUGGER 2022/08/17 | | | | |
| 1 PLACE | ± 0.2 | INITIAL REVISION: | | | | |
| 0 PLACES | ± | DRWN: CFISHER01 2016/01/28 | | | | |
| DRAFT WHERE APPLICABLE MUST REMAIN WITHIN DIMENSIONS | | | MATERIAL NUMBER | CUSTOMER | SHEET NUMBER | |
| THIRD ANGLE PROJECTION | | | SEE SHEET 2-13 | GENERAL MARKET | 2 OF 13 | |
| DRAWING | | | SERIES | | | |
| A2-SIZE | | | 93334 | | | |

2 CIRCUIT

| PART NUMBER | HOUSING USED | MOLEX TERMINAL NO. | TERMINAL VOID POSITION | LATCH POSITION | REMOVED POSITION KEYS | CONFIGURATION | FIRST ENDWALL | LAST ENDWALL | 0.55mm POLARIZING RIB BETWEEN | COLOUR STRIPE |
|-------------|--------------|--------------------|------------------------|----------------|-----------------------|---------------|---------------|--------------|-------------------------------|---------------|
| 93334-9001 | 93464-0002 | 93357-0001 | NONE | NONE | NONE | | OPEN | OPEN | NONE | NONE |
| 93334-9002 | 93464-0002 | 93357-0001 | NONE | NONE | b | | OPEN | OPEN | NONE | NONE |
| 93334-9003 | 93049-0002 | 93357-0001 | NONE | NONE | NONE | | OPEN | OPEN | NONE | NONE |
| 93334-9004 | 93049-0002 | 93357-0004 | NONE | NONE | NONE | | OPEN | OPEN | NONE | NONE |
| 93334-9005 | 93464-0002 | 93357-0001 | NONE | NONE | c | | OPEN | OPEN | NONE | NONE |
| 93334-9006 | 93464-0002 | 93357-0001 | NONE | NONE | a | | OPEN | OPEN | NONE | NONE |
| 93334-9007 | 93464-0002 | 93357-0001 | NONE | NONE | a b | | OPEN | OPEN | NONE | NONE |
| 93334-9008 | 93464-0002 | 93357-0001 | NONE | NONE | a c | | OPEN | OPEN | NONE | NONE |

3 CIRCUIT

| PART NUMBER | HOUSING USED | MOLEX TERMINAL NO. | TERMINAL VOID POSITION | LATCH POSITION | REMOVED POSITION KEYS | CONFIGURATION | FIRST ENDWALL | LAST ENDWALL | 0.55mm POLARIZING RIB BETWEEN | COLOUR STRIPE |
|-------------|--------------|--------------------|------------------------|----------------|-----------------------|---------------|---------------|--------------|-------------------------------|---------------|
| 93334-0001 | 93464-0003 | 93357-0001 | NONE | NONE | NONE | | OPEN | OPEN | NONE | NONE |
| 93334-0002 | 93464-0003 | 93357-0001 | NONE | NONE | a d | | OPEN | OPEN | NONE | NONE |
| 93334-0003 | 93464-0003 | 93357-0001 | NONE | NONE | b d | | OPEN | OPEN | NONE | NONE |
| 93334-0004 | 93464-0003 | 93357-0001 | NONE | NONE | a b | | OPEN | OPEN | NONE | NONE |
| 93334-0005 | 93464-0003 | 93357-0001 | NONE | NONE | b | | OPEN | OPEN | NONE | NONE |
| 93334-0006 | 93464-0003 | 93357-0001 | NONE | NONE | d | | OPEN | OPEN | NONE | NONE |
| 93334-0007 | 93464-0003 | 93357-0001 | NONE | NONE | a c | | OPEN | OPEN | NONE | NONE |
| 93334-0009 | 93464-0003 | 93357-0001 | NONE | NONE | c d | | OPEN | OPEN | NONE | NONE |
| 93334-0012 | 93794-0103 | 93357-0001 | NONE | NONE | b c | | OPEN | OPEN | BETWEEN CCT 1&2 | NONE |
| 93334-0013 | 93794-0103 | 93357-0001 | NONE | NONE | a | | OPEN | OPEN | BETWEEN CCT 1&2 | NONE |
| 93334-0014 | 93794-0203 | 93357-0001 | NONE | NONE | c | | OPEN | OPEN | BETWEEN CCT 2&3 | BLUE |
| 93334-0016 | 93794-0103 | 93357-0001 | NONE | NONE | NONE | | OPEN | OPEN | BETWEEN CCT 1&2 | NONE |
| 93334-0017 | 93794-0203 | 93357-0001 | NONE | NONE | NONE | | OPEN | OPEN | BETWEEN CCT 2&3 | NONE |
| 93334-0018 | 93464-0003 | 93357-0001 | NONE | NONE | a b c | | OPEN | OPEN | NONE | NONE |
| 93334-0019 | 93464-0003 | 93357-0001 | NONE | NONE | c | | OPEN | OPEN | NONE | NONE |
| 93334-0020 | 93464-0003 | 93357-0001 | NONE | NONE | a d | | OPEN | OPEN | NONE | NONE |
| 93334-0021 | 93464-0003 | 93357-0001 | NONE | NONE | NONE | | OPEN | OPEN | NONE | BLUE |
| 93334-0022 | 93794-0103 | 93357-0001 | NONE | NONE | NONE | | OPEN | OPEN | BETWEEN CCT 1&2 | BLUE |
| 93334-0023 | 93464-0003 | 93357-0001 | NONE | NONE | b c | | OPEN | OPEN | NONE | NONE |
| 93334-0024 | 93464-0003 | 93357-0001 | NONE | NONE | a | | OPEN | OPEN | NONE | NONE |
| 93334-0025 | 93464-0003 | 93357-0001 | NONE | NONE | a d | | OPEN | OPEN | NONE | RED |
| 93334-0026 | 93464-0003 | 93357-0001 | NONE | NONE | c | | OPEN | OPEN | NONE | RED |
| 93334-0027 | 93464-0003 | 93357-0001 | CCT 3 | NONE | c | | OPEN | OPEN | NONE | BLUE |
| 93334-0028 | 93464-0003 | 93357-0001 | NONE | NONE | b d | | OPEN | OPEN | NONE | RED |

THIS DRAWING CONTAINS INFORMATION THAT IS PROPRIETARY TO MOLEX ELECTRONIC TECHNOLOGIES, LLC AND SHOULD NOT BE USED WITHOUT WRITTEN PERMISSION

| | | | | | | |
|---|------------------------|----------------------------|--|-----------------|----------------|--------------|
| DIMENSION UNITS | SCALE | CURRENT REV DESC: | molex | | | |
| mm | | | | | | |
| GENERAL TOLERANCES (UNLESS SPECIFIED) | | EC NO: 715256 | APPLI-MATE 2.5 FEMALE G.W.T 750 VERSION WITH BEAD ON TERMINAL | | | |
| ANGULAR TOL | ± 0.5° | DRWN: MBN02 2022/02/01 | | | | |
| 4 PLACES | ± | CHK'D: MBN02 2022/07/06 | PRODUCT CUSTOMER DRAWING | | | |
| 3 PLACES | ± 0.05 | APPR: EDUGGER 2022/08/17 | | | | |
| 2 PLACES | ± 0.1 | INITIAL REVISION: | DOCUMENT NUMBER | DOC TYPE | DOC PART | REVISION |
| 1 PLACE | ± 0.2 | DRWN: CFISHER01 2016/01/28 | 933340001 | PSD | 000 | AC1 |
| 0 PLACES | ± | APPR: MSHANAHAN 2016/05/16 | | | | |
| DRAFT WHERE APPLICABLE MUST REMAIN WITHIN DIMENSIONS | THIRD ANGLE PROJECTION | DRAWING | SERIES | MATERIAL NUMBER | CUSTOMER | SHEET NUMBER |
| | | A2-SIZE | 93334 | SEE SHEET 2-13 | GENERAL MARKET | 3 OF 13 |

3 CIRCUIT

| PART NUMBER | HOUSING USED | MOLEX TERMINAL NO. | TERMINAL VOID POSITION | LATCH POSITION | REMOVED POSITION KEYS | CONFIGURATION | FIRST ENDWALL | LAST ENDWALL | 0.55mm POLARIZING RIB BETWEEN | COLOUR STRIPE |
|-------------|--------------|--------------------|------------------------|----------------|-----------------------|---------------|---------------|--------------|-------------------------------|---------------|
| 93334-0029 | 93464-0003 | 93357-0001 | NONE | NONE | a c | | OPEN | OPEN | NONE | RED |
| 93334-0030 | 93464-0003 | 93357-0001 | CCT 1 | NONE | NONE | | OPEN | OPEN | NONE | RED |
| 93334-0031 | 93464-0003 | 93357-0001 | CCT 3 | NONE | NONE | | OPEN | OPEN | NONE | NONE |
| 93334-0032 | 93464-2043 | 93357-0001 | CCT 2 | CCT 2 | b c | | OPEN | CLOSED | NONE | NONE |
| 93334-0033 | 93464-0003 | 93357-0001 | CCT 2 | CCT 2 | a d | | OPEN | OPEN | NONE | BLUE |
| 93334-0034 | 93413-0203 | 93357-0001 | NONE | NONE | NONE | | OPEN | OPEN | BETWEEN CCT 2&3 | RED |
| 93334-0035 | 93413-0103 | 93357-0001 | NONE | NONE | NONE | | OPEN | OPEN | BETWEEN CCT 1&2 | BLACK |
| 93334-0036 | 93464-0023 | 93357-0001 | CCT 2 | CCT 2 | b c | | CLOSED | CLOSED | NONE | NONE |
| 93334-0037 | 93464-0023 | 93357-0001 | NONE | NONE | NONE | | CLOSED | CLOSED | NONE | NONE |
| 93334-0038 | 93464-0003 | 93357-0001 | NONE | NONE | NONE | | OPEN | OPEN | NONE | NONE |
| 93334-0039 | 93464-2063 | 93357-0001 | CCT 2 | CCT 2 | b c | | CLOSED | OPEN | NONE | NONE |
| 93334-0041 | 93464-0003 | 93357-0001 | NONE | NONE | a d | | OPEN | OPEN | NONE | BLUE |
| 93334-0042 | 93464-2043 | 93357-0001 | CCT 2 | CCT 2 | NONE | | OPEN | CLOSED | NONE | NONE |
| 93334-0043 | 93464-2063 | 93357-0001 | CCT 2 | CCT 2 | NONE | | CLOSED | OPEN | NONE | NONE |
| 93334-0044 | 93049-0003 | 93357-0004 | NONE | NONE | NONE | | OPEN | OPEN | NONE | NONE |
| 93334-0045 | 93413-0123 | 93357-0004 | NONE | NONE | NONE | | CLOSED | CLOSED | BETWEEN CCT 1&2 | NONE |
| 93334-0046 | 93049-0023 | 93357-0004 | NONE | NONE | NONE | | CLOSED | CLOSED | NONE | NONE |
| 93334-0047 | 93413-0223 | 93357-0004 | NONE | NONE | NONE | | CLOSED | CLOSED | BETWEEN CCT 2&3 | NONE |
| 93334-0048 | 93049-0003 | 93357-0004 | NONE | NONE | b | | OPEN | OPEN | NONE | NONE |
| 93334-0049 | 93049-0023 | 93357-0004 | NONE | NONE | NONE | | CLOSED | CLOSED | NONE | ORANGE |
| 93334-0050 | 93413-0223 | 93357-0004 | NONE | NONE | NONE | | CLOSED | CLOSED | BETWEEN CCT 2&3 | PURPLE |
| 93334-0051 | 93413-0103 | 93357-0004 | NONE | NONE | NONE | | OPEN | OPEN | BETWEEN CCT 1&2 | BLACK |
| 93334-0054 | 93464-2063 | 93357-0001 | CCT 2 | CCT 2 | b c | | CLOSED | OPEN | NONE | BLUE |
| 93334-0055 | 93049-0003 | 93357-0001 | NONE | NONE | a d | | OPEN | OPEN | NONE | NONE |
| 93334-0056 | 93794-0103 | 93357-0001 | NONE | NONE | a b d | | OPEN | OPEN | BETWEEN CCT 1&2 | BLACK |
| 93334-0057 | 93049-9907 | 93357-0004 | NONE | NONE | b c | | OPEN | OPEN | NONE | NONE |
| 93334-0058 | 93794-0103 | 93357-0001 | NONE | NONE | a b c d | | OPEN | OPEN | BETWEEN CCT 1&2 | NONE |
| 93334-0059 | 93464-0023 | 93357-0001 | CCT 2 | CCT 2 | NONE | | CLOSED | CLOSED | NONE | NONE |
| 93334-0060 | 93464-0063 | 93357-0001 | NONE | NONE | d | | CLOSED | OPEN | NONE | NONE |
| 93334-0061 | 93464-0063 | 93357-0001 | NONE | NONE | a c | | CLOSED | OPEN | NONE | NONE |

3 CIRCUIT

| PART NUMBER | HOUSING USED | MOLEX TERMINAL NO. | TERMINAL VOID POSITION | LATCH POSITION | REMOVED POSITION KEYS | CONFIGURATION | FIRST ENDWALL | LAST ENDWALL | 0.55mm POLARIZING RIB BETWEEN | COLOUR STRIPE |
|-------------|-----------------|--------------------|------------------------|----------------|-----------------------|---------------|---------------|--------------|-------------------------------|---------------|
| 93334-0062 | 93464-0043 | 93357-0001 | NONE | NONE | d | | OPEN | CLOSED | NONE | NONE |
| 93334-0063 | 93464-0083 | 93357-0001 | NONE | NONE | a c | | NARROW | OPEN | NONE | NONE |
| 93334-0064 | 93464-9903 | 93357-0001 | NONE | NONE | d | | NARROW FLUSH | OPEN | NONE | NONE |
| 93334-0065 | 93464-9903 | 93357-0001 | NONE | NONE | a c | | NARROW FLUSH | OPEN | NONE | NONE |
| 93334-0066 | 93794-0223 | 93357-0001 | NONE | NONE | a d | | CLOSED | CLOSED | BETWEEN CCT 2&3 | NONE |
| 93334-0067 | 94010-0203 | 93357-0001 | NONE | NONE | NONE | | OPEN | OPEN | BETWEEN CCT 2&3 | RED |
| 93334-0068 | 93049-0023 | 93357-0001 | NONE | NONE | NONE | | CLOSED | CLOSED | NONE | NONE |
| 93334-0069 | 93049-0003 | 93357-0001 | NONE | NONE | NONE | | OPEN | OPEN | NONE | NONE |
| 93334-0070 | 93049-2063 | 93357-0004 | CCT 2 | CCT 2 | NONE | | CLOSED | OPEN | NONE | NONE |
| 93334-0071 | 93794-0103 | 93357-0001 | NONE | NONE | b c d | | OPEN | OPEN | BETWEEN CCT 1&2 | NONE |
| 93334-0072 | 94006-0203 ZEUS | 93357-0001 | NONE | NONE | NONE | | OPEN | OPEN | BETWEEN CCT 2&3 | RED |
| 93334-0073 | 94006-0003 ZEUS | 93357-0001 | NONE | NONE | NONE | | OPEN | OPEN | NONE | NONE |
| 93334-0074 | 94006-0003 ZEUS | 93357-0001 | NONE | NONE | a | | OPEN | OPEN | NONE | NONE |
| 93334-0075 | 94010-0003 | 93357-0001 | NONE | NONE | NONE | | OPEN | OPEN | NONE | NONE |
| 93334-0076 | 94010-0103 | 93357-0001 | NONE | NONE | NONE | | OPEN | OPEN | BETWEEN CCT 1&2 | BLACK |

- NOTES**
- + DENOTES TERMINAL VOIDED POSITION
⊕ DENOTES TERMINAL LOADED POSITION
| DENOTES POLARIZING RIB POSITION
⊗ DENOTES LATCH POSITION
 - MOLEX HOUSING NO. FOR REFERENCE ONLY

| | | | | | | | | | | | | | |
|---|--|------------------------|--|----------------------------|--|--------|--|-----------------|--|---|--|--------------|--|
| THIS DRAWING CONTAINS INFORMATION THAT IS PROPRIETARY TO MOLEX ELECTRONIC TECHNOLOGIES, LLC AND SHOULD NOT BE USED WITHOUT WRITTEN PERMISSION | | | | | | | | | | | | | |
| DIMENSION UNITS | | SCALE | | CURRENT REV DESC: | | | | | | | | | |
| mm | | | | | | | | | | | | | |
| GENERAL TOLERANCES (UNLESS SPECIFIED) | | | | EC NO: 715256 | | | | | | APPLI-MATE 2.5 FEMALE G.W.T 750 VERSION WITH BEAD ON TERMINAL | | | |
| ANGULAR TOL ± 0.5° | | | | DRWN: MBN02 2022/02/01 | | | | | | | | | |
| 4 PLACES ± | | | | CHK'D: MBN02 2022/07/06 | | | | | | PRODUCT CUSTOMER DRAWING | | | |
| 3 PLACES ± 0.05 | | | | APPR: EDUGGER 2022/08/17 | | | | | | | | | |
| 2 PLACES ± 0.1 | | | | INITIAL REVISION: | | | | | | DOCUMENT NUMBER 933340001 | | | |
| 1 PLACE ± 0.2 | | | | DRWN: CFISHER01 2016/01/28 | | | | | | | | | |
| 0 PLACES ± | | | | APPR: MSHANAHAN 2016/05/16 | | | | | | DOC TYPE DOC PART REVISION PSD 000 AC1 | | | |
| DRAFT WHERE APPLICABLE MUST REMAIN WITHIN DIMENSIONS | | THIRD ANGLE PROJECTION | | DRAWING | | SERIES | | MATERIAL NUMBER | | CUSTOMER | | SHEET NUMBER | |
| | | | | A2-SIZE | | 93334 | | SEE SHEET 2-13 | | GENERAL MARKET | | 4 OF 13 | |

4 CIRCUIT

| PART NUMBER | HOUSING USED | MOLEX TERMINAL NO. | TERMINAL VOID POSITION | LATCH POSITION | REMOVED POSITION KEYS | CONFIGURATION | FIRST ENDWALL | LAST ENDWALL | 0.55mm POLARIZING RIB BETWEEN | COLOUR STRIPE |
|-------------|--------------|--------------------|------------------------|----------------|-----------------------|---------------|---------------|--------------|-------------------------------|---------------|
| 93334-0501 | 93464-0004 | 93357-0001 | NONE | NONE | NONE | | OPEN | OPEN | NONE | NONE |
| 93334-0502 | 93794-0104 | 93357-0001 | NONE | NONE | a b d e | | OPEN | OPEN | BETWEEN CCT 1&2 | NONE |
| 93334-0503 | 93794-0304 | 93357-0001 | NONE | NONE | ALL | | OPEN | OPEN | BETWEEN CCT 3&4 | NONE |
| 93334-0504 | 93794-0304 | 93357-0001 | NONE | NONE | ALL | | OPEN | OPEN | BETWEEN CCT 3&4 | BLUE |
| 93334-0505 | 93464-0004 | 93357-0001 | NONE | NONE | c e | | OPEN | OPEN | NONE | NONE |
| 93334-0506 | 93464-0004 | 93357-0001 | NONE | NONE | b c | | OPEN | OPEN | NONE | NONE |
| 93334-0507 | 93794-0204 | 93357-0001 | NONE | NONE | NONE | | OPEN | OPEN | BETWEEN CCT 2&3 | NONE |
| 93334-0508 | 93464-0004 | 93357-0001 | NONE | NONE | a d e | | OPEN | OPEN | NONE | NONE |
| 93334-0509 | 93464-0004 | 93357-0001 | NONE | NONE | a c | | OPEN | OPEN | NONE | NONE |
| 93334-0751 | 93464-0004 | 93357-0001 | NONE | NONE | b e | | OPEN | CLOSED | NONE | NONE |
| 93334-0510 | 93464-0004 | 93357-0001 | NONE | NONE | b d | | OPEN | OPEN | NONE | NONE |
| 93334-0511 | 93464-0004 | 93357-0001 | NONE | NONE | b e | | OPEN | OPEN | NONE | NONE |
| 93334-0512 | 93464-0004 | 93357-0001 | NONE | NONE | NONE | | OPEN | OPEN | NONE | BLUE |
| 93334-0514 | 93464-0004 | 93357-0001 | NONE | NONE | c d | | OPEN | OPEN | NONE | NONE |
| 93334-0515 | 93464-0004 | 93357-0001 | NONE | NONE | b c | | OPEN | OPEN | NONE | RED |
| 93334-0752 | 93464-0004 | 93357-0001 | NONE | NONE | NONE | | OPEN | CLOSED | NONE | NONE |
| 93334-0753 | 93464-0004 | 93357-0001 | NONE | NONE | a b d | | OPEN | CLOSED | NONE | NONE |
| 93334-0516 | 93464-0004 | 93357-0001 | NONE | NONE | d | | OPEN | OPEN | NONE | BLUE |
| 93334-0517 | 93464-0004 | 93357-0001 | NONE | NONE | b d e | | OPEN | OPEN | NONE | BLUE |
| 93334-0518 | 93464-0004 | 93357-0001 | NONE | NONE | a c e | | OPEN | OPEN | NONE | NONE |
| 93334-0519 | 93464-0004 | 93357-0001 | NONE | NONE | a b | | OPEN | OPEN | NONE | NONE |
| 93334-0520 | 93464-0004 | 93357-0001 | NONE | NONE | a d | | OPEN | OPEN | NONE | NONE |
| 93334-0521 | 93464-0004 | 93357-0001 | NONE | NONE | a c d | | OPEN | OPEN | NONE | NONE |
| 93334-0522 | 93464-0004 | 93357-0001 | NONE | NONE | d e | | OPEN | OPEN | NONE | NONE |
| 93334-0523 | 93413-0104 | 93357-0001 | NONE | NONE | NONE | | OPEN | OPEN | BETWEEN CCT 1&2 | BROWN |
| 93334-0524 | 93413-0304 | 93357-0001 | NONE | NONE | NONE | | OPEN | OPEN | BETWEEN CCT 3&4 | BLACK |
| 93334-0525 | 93794-0104 | 93357-0001 | CCT 1 | NONE | NONE | | OPEN | OPEN | BETWEEN CCT 1&2 | BROWN |
| 93334-0527 | 93794-0104 | 93357-0001 | NONE | NONE | NONE | | OPEN | OPEN | BETWEEN CCT 1&2 | NONE |
| 93334-0528 | 93464-0004 | 93357-0001 | CCT 2&4 | NONE | NONE | | OPEN | OPEN | NONE | NONE |
| 93334-0529 | 93794-0304 | 93357-0001 | NONE | NONE | e | | OPEN | OPEN | BETWEEN CCT 3&4 | BLACK |

4 CIRCUIT

| PART NUMBER | HOUSING USED | MOLEX TERMINAL NO. | TERMINAL VOID POSITION | LATCH POSITION | REMOVED POSITION KEYS | CONFIGURATION | FIRST ENDWALL | LAST ENDWALL | 0.55mm POLARIZING RIB BETWEEN | COLOUR STRIPE |
|-------------|--------------|--------------------|------------------------|----------------|-----------------------|---------------|---------------|--------------|-------------------------------|---------------|
| 93334-0531 | 93464-0004 | 93357-0001 | NONE | NONE | NONE | | OPEN | OPEN | NONE | RED |
| 93334-0532 | 93464-0004 | 93357-0001 | NONE | NONE | a c | | OPEN | OPEN | NONE | RED |
| 93334-0534 | 93464-0004 | 93357-0001 | CCT 4 | NONE | NONE | | OPEN | OPEN | NONE | RED |
| 93334-0535 | 93794-0304 | 93357-0001 | CCT 1&2 | NONE | NONE | | OPEN | OPEN | BETWEEN CCT 3&4 | BLACK |
| 93334-0536 | 93049-0004 | 93357-0004 | NONE | NONE | NONE | | OPEN | OPEN | NONE | NONE |
| 93334-0537 | 93413-0224 | 93357-0004 | NONE | NONE | NONE | | CLOSED | CLOSED | BETWEEN CCT 2&3 | NONE |
| 93334-0538 | 93413-0324 | 93357-0004 | NONE | NONE | NONE | | CLOSED | CLOSED | BETWEEN CCT 3&4 | NONE |
| 93334-0539 | 93413-0124 | 93357-0004 | NONE | NONE | NONE | | CLOSED | CLOSED | BETWEEN CCT 1&2 | NONE |
| 93334-0540 | 93049-0004 | 93357-0004 | NONE | NONE | b c d | | OPEN | OPEN | NONE | NONE |
| 93334-0541 | 93049-0004 | 93357-0004 | NONE | NONE | c | | OPEN | OPEN | NONE | NONE |
| 93334-0542 | 93413-0304 | 93357-0004 | NONE | NONE | NONE | | OPEN | OPEN | BETWEEN CCT 3&4 | NONE |
| 93334-0543 | 93794-0304 | 93357-0001 | CCT 3&4 | NONE | NONE | | OPEN | OPEN | BETWEEN CCT 3&4 | NONE |
| 93334-0544 | 93794-0304 | 93357-0001 | NONE | NONE | NONE | | OPEN | OPEN | BETWEEN CCT 3&4 | RED |
| 93334-0545 | 93794-0204 | 93357-0001 | NONE | NONE | NONE | | OPEN | OPEN | BETWEEN CCT 2&3 | NONE |
| 93334-0546 | 93794-0304 | 93357-0001 | NONE | NONE | NONE | | OPEN | OPEN | BETWEEN CCT 3&4 | NONE |
| 93334-0547 | 93794-0264 | 93357-0001 | NONE | NONE | b c d | | CLOSED | OPEN | BETWEEN CCT 2&3 | NONE |
| 93334-0548 | 93794-0144 | 93357-0001 | NONE | NONE | a e | | OPEN | CLOSED | BETWEEN CCT 1&2 | NONE |
| 93334-0549 | 93794-0264 | 93357-0001 | NONE | NONE | a e | | CLOSED | OPEN | BETWEEN CCT 2&3 | NONE |
| 93334-0550 | 93794-0144 | 93357-0001 | NONE | NONE | d e | | OPEN | CLOSED | BETWEEN CCT 1&2 | NONE |
| 93334-0551 | 93794-0144 | 93357-0001 | NONE | NONE | a c | | OPEN | CLOSED | BETWEEN CCT 1&2 | NONE |
| 93334-0552 | 93794-0304 | 93357-0001 | NONE | NONE | b c | | OPEN | OPEN | BETWEEN CCT 3&4 | NONE |
| 93334-0553 | 93794-0204 | 93357-0001 | NONE | NONE | NONE | | OPEN | OPEN | BETWEEN CCT 2&3 | BLUE |

- NOTES**
- 1. + DENOTES TERMINAL VOIDED POSITION
 - ⊕ DENOTES TERMINAL LOADED POSITION
 - | DENOTES POLARIZING RIB POSITION
 - ⊠ DENOTES LATCH POSITION
 - 2. MOLEX HOUSING NO. FOR REFERENCE ONLY

THIS DRAWING CONTAINS INFORMATION THAT IS PROPRIETARY TO MOLEX ELECTRONIC TECHNOLOGIES, LLC AND SHOULD NOT BE USED WITHOUT WRITTEN PERMISSION

| | | | | | |
|--|--------|----------------------------|--|----------------|--------------|
| DIMENSION UNITS | SCALE | CURRENT REV DESC: | molex | | |
| mm | | | | | |
| GENERAL TOLERANCES (UNLESS SPECIFIED) | | EC NO: 715256 | APPLI-MATE 2.5 FEMALE G.W.T 750 VERSION WITH BEAD ON TERMINAL | | |
| ANGULAR TOL | ± 0.5° | DRWN: MBN02 2022/02/01 | | | |
| 4 PLACES | ± | CHK'D: MBN02 2022/07/06 | PRODUCT CUSTOMER DRAWING | | |
| 3 PLACES | ± 0.05 | APPR: EDUGGER 2022/08/17 | | | |
| 2 PLACES | ± 0.1 | INITIAL REVISION: | DOCUMENT NUMBER | | |
| 1 PLACE | ± 0.2 | DRWN: CFISHER01 2016/01/28 | | | |
| 0 PLACES | ± | APPR: MSHANAHAN 2016/05/16 | 933340001 | | |
| DRAFT WHERE APPLICABLE MUST REMAIN WITHIN DIMENSIONS | | THIRD ANGLE PROJECTION | | | |
| | | DRAWING | A2-SIZE | 93334 | PSD 000 AC1 |
| | | SERIES | MATERIAL NUMBER | CUSTOMER | SHEET NUMBER |
| | | | SEE SHEET 2-13 | GENERAL MARKET | 5 OF 13 |

| 4 CIRCUIT | | | | | | | | | | |
|-------------|-----------------|--------------------|------------------------|----------------|-----------------------|---------------|---------------|--------------|-------------------------------|---------------|
| PART NUMBER | HOUSING USED | MOLEX TERMINAL NO. | TERMINAL VOID POSITION | LATCH POSITION | REMOVED POSITION KEYS | CONFIGURATION | FIRST ENDWALL | LAST ENDWALL | 0.55mm POLARIZING RIB BETWEEN | COLOUR STRIPE |
| 93334-0554 | 93464-0064 | 93357-0001 | NONE | NONE | NONE | | CLOSED | OPEN | NONE | NONE |
| 93334-0555 | 93464-0044 | 93357-0001 | NONE | NONE | b | | OPEN | CLOSED | NONE | NONE |
| 93334-0556 | 93464-0084 | 93357-0001 | NONE | NONE | NONE | | NARROW | OPEN | NONE | NONE |
| 93334-0557 | 93464-9901 | 93357-0001 | NONE | NONE | NONE | | NARROW FLUSH | OPEN | NONE | NONE |
| 93334-0558 | 93464-0004 | 93357-0001 | NONE | NONE | a b e | | OPEN | OPEN | NONE | RED |
| 93334-0559 | 93794-0144 | 93357-0001 | NONE | NONE | NONE | | OPEN | CLOSED | BETWEEN CCT 1&2 | NONE |
| 93334-0560 | 93464-0064 | 93357-0001 | NONE | NONE | b | | CLOSED | OPEN | NONE | NONE |
| 93334-0561 | 93464-0004 | 93357-0001 | NONE | NONE | a b d | | OPEN | OPEN | NONE | NONE |
| 93334-0562 | 93049-0024 | 93357-0001 | NONE | NONE | NONE | | CLOSED | CLOSED | NONE | NONE |
| 93334-0563 | 93413-0324 | 93357-0001 | NONE | NONE | NONE | | CLOSED | CLOSED | BETWEEN CCT 3&4 | NONE |
| 93334-0564 | 94010-0304 | 93357-0001 | NONE | NONE | NONE | | OPEN | OPEN | BETWEEN CCT 3&4 | BLACK |
| 93334-0565 | 93794-0104 | 93357-0001 | NONE | NONE | NONE | | OPEN | OPEN | BETWEEN CCT 1&2 | BLUE |
| 93334-0566 | 94006-0304 ZEUS | 93357-0001 | NONE | NONE | NONE | | OPEN | OPEN | BETWEEN CCT 3&4 | BLACK |
| 93334-0567 | 93464-0104 | 93357-0001 | NONE | NONE | b c | | OPEN | OPEN | BETWEEN CCT 1&2 | NONE |

| | | | | | | | | | |
|---|-------|----------------------------|---------|--------|-----------------|--|--------------|--|--|
| THIS DRAWING CONTAINS INFORMATION THAT IS PROPRIETARY TO MOLEX ELECTRONIC TECHNOLOGIES, LLC AND SHOULD NOT BE USED WITHOUT WRITTEN PERMISSION | | | | | | | | | |
| DIMENSION UNITS | SCALE | CURRENT REV DESC: | | | | molex | | | |
| mm | | | | | | | | | |
| GENERAL TOLERANCES (UNLESS SPECIFIED) | | EC NO: 715256 | | | | APPLI-MATE 2.5 FEMALE G.W.T 750 VERSION WITH BEAD ON TERMINAL | | | |
| ANGULAR TOL ± 0.5° | | DRWN: MBN02 2022/02/01 | | | | | | | |
| 4 PLACES ± | | CHK'D: MBN02 2022/07/06 | | | | PRODUCT CUSTOMER DRAWING | | | |
| 3 PLACES ± 0.05 | | APPR: EDUGGER 2022/08/17 | | | | | | | |
| 2 PLACES ± 0.1 | | INITIAL REVISION: | | | | DOCUMENT NUMBER 933340001 | | | |
| 1 PLACE ± 0.2 | | DRWN: CFISHER01 2016/01/28 | | | | | | | |
| 0 PLACES ± | | APPR: MSHANAHAN 2016/05/16 | | | | DOC TYPE PSD | | | |
| DRAFT WHERE APPLICABLE MUST REMAIN WITHIN DIMENSIONS | | THIRD ANGLE PROJECTION | DRAWING | SERIES | MATERIAL NUMBER | CUSTOMER | SHEET NUMBER | | |
| | | | A2-SIZE | 93334 | SEE SHEET 2-13 | GENERAL MARKET | 6 OF 13 | | |

| | | | | |
|-----------------|----|--------------|------------|----------|
| DOCUMENT STATUS | P1 | RELEASE DATE | 2022/08/17 | 14:09:55 |
|-----------------|----|--------------|------------|----------|

5 CIRCUIT

| PART NUMBER | HOUSING USED | MOLEX TERMINAL NO. | TERMINAL VOID POSITION | LATCH POSITION | REMOVED POSITION KEYS | CONFIGURATION | FIRST ENDWALL | LAST ENDWALL | 0.55mm POLARIZING RIB BETWEEN | COLOUR STRIPE |
|-------------|--------------|--------------------|------------------------|----------------|-----------------------|---------------|---------------|--------------|-------------------------------|---------------|
| 93334-1001 | 93464-0005 | 93357-0001 | NONE | NONE | NONE | | OPEN | OPEN | NONE | NONE |
| 93334-1002 | 93464-0005 | 93357-0001 | NONE | NONE | c d e | | OPEN | OPEN | NONE | NONE |
| 93334-1003 | 93794-0205 | 93357-0001 | NONE | NONE | NONE | | OPEN | OPEN | BETWEEN CCT 2&3 | NONE |
| 93334-1004 | 93464-0005 | 93357-0001 | NONE | NONE | c d | | OPEN | OPEN | NONE | NONE |
| 93334-1005 | 93464-0005 | 93357-0001 | CCT 2,3,4 | NONE | e | | OPEN | OPEN | NONE | NONE |
| 93334-1006 | 93464-0005 | 93357-0001 | CCT 1,2,4 | NONE | b c d e | | OPEN | OPEN | NONE | NONE |
| 93334-1007 | 93464-0005 | 93357-0001 | CCT 4 | NONE | a f | | OPEN | OPEN | NONE | NONE |
| 93334-1008 | 93464-0005 | 93357-0001 | NONE | NONE | d | | OPEN | OPEN | NONE | NONE |
| 93334-1009 | 93464-0005 | 93357-0001 | CCT 2,4 | NONE | NONE | | OPEN | OPEN | NONE | NONE |
| 93334-1010 | 93464-0005 | 93357-0001 | NONE | NONE | ALL | | OPEN | OPEN | NONE | NONE |
| 93334-1011 | 93464-0005 | 93357-0001 | CCT 1,2,4 | NONE | NONE | | OPEN | OPEN | NONE | NONE |
| 93334-1012 | 93464-0005 | 93357-0001 | CCT 2,3,4 | NONE | NONE | | OPEN | OPEN | NONE | NONE |
| 93334-1013 | 93464-0005 | 93357-0001 | NONE | NONE | a | | OPEN | OPEN | NONE | NONE |
| 93334-1014 | 93464-0005 | 93357-0001 | NONE | NONE | b c d e | | OPEN | OPEN | NONE | NONE |
| 93334-1015 | 93464-0005 | 93357-0001 | NONE | NONE | a c f | | OPEN | OPEN | NONE | NONE |
| 93334-1016 | 93413-0305 | 93357-0001 | NONE | NONE | NONE | | OPEN | OPEN | BETWEEN CCT 3&4 | GREEN |
| 93334-1017 | 93794-0305 | 93357-0001 | CCT 1 | NONE | NONE | | OPEN | OPEN | BETWEEN CCT 3&4 | BLACK |
| 93334-1018 | 93464-0005 | 93357-0001 | CCT 5 | NONE | a c f | | OPEN | OPEN | NONE | NONE |
| 93334-1019 | 93464-0005 | 93357-0001 | CCT 1 | NONE | b c d e | | OPEN | OPEN | NONE | NONE |
| 93334-1020 | 93794-0205 | 93357-0001 | NONE | NONE | NONE | | OPEN | OPEN | BETWEEN CCT 2&3 | BROWN |
| 93334-1021 | 93794-0405 | 93357-0001 | NONE | NONE | a c f | | OPEN | OPEN | BETWEEN CCT 4&5 | NONE |
| 93334-1022 | 93464-0005 | 93357-0001 | NONE | NONE | a b c d | | OPEN | OPEN | NONE | NONE |
| 93334-1023 | 93049-0005 | 93357-0004 | NONE | NONE | NONE | | OPEN | OPEN | NONE | NONE |
| 93334-1024 | 93413-0325 | 93357-0004 | NONE | NONE | NONE | | CLOSED | CLOSED | BETWEEN CCT 3&4 | NONE |
| 93334-1025 | 93049-0025 | 93357-0004 | CCT 2,3,4 | NONE | NONE | | CLOSED | CLOSED | NONE | NONE |
| 93334-1026 | 93794-0305 | 93357-0001 | NONE | NONE | NONE | | OPEN | OPEN | BETWEEN CCT 3&4 | NONE |
| 93334-1027 | 93464-0005 | 93357-0001 | NONE | NONE | NONE | | OPEN | OPEN | NONE | BLACK |
| 93334-1028 | 93413-0205 | 93357-0001 | NONE | NONE | NONE | | OPEN | OPEN | BETWEEN CCT 2&3 | BROWN |
| 93334-1029 | 93049-0005 | 93357-0001 | NONE | NONE | NONE | | OPEN | OPEN | NONE | NONE |

5 CIRCUIT

| PART NUMBER | HOUSING USED | MOLEX TERMINAL NO. | TERMINAL VOID POSITION | LATCH POSITION | REMOVED POSITION KEYS | CONFIGURATION | FIRST ENDWALL | LAST ENDWALL | 0.55mm POLARIZING RIB BETWEEN | COLOUR STRIPE |
|-------------|-----------------|--------------------|------------------------|----------------|-----------------------|---------------|---------------|--------------|-------------------------------|---------------|
| 93334-1030 | 93794-0405 | 93357-0001 | NONE | NONE | NONE | | OPEN | OPEN | BETWEEN CCT 4&5 | NONE |
| 93334-1031 | 93464-0025 | 93357-0001 | NONE | NONE | NONE | | CLOSED | CLOSED | NONE | NONE |
| 93334-1032 | 93464-0005 | 93357-0001 | CCT 1,2,4 | NONE | a d e f | | OPEN | OPEN | NONE | NONE |
| 93334-1033 | 93464-0005 | 93357-0001 | CCT 2,3,4 | NONE | a d e f | | OPEN | OPEN | NONE | NONE |
| 93334-1034 | 93464-0005 | 93357-0001 | NONE | NONE | a b d e | | OPEN | OPEN | NONE | NONE |
| 93334-1035 | 93464-0005 | 93357-0001 | NONE | NONE | a f | | OPEN | OPEN | NONE | NONE |
| 93334-1036 | 93794-0105 | 93357-0001 | CCT 3 | NONE | a f | | OPEN | OPEN | BETWEEN CCT 1&2 | NONE |
| 93334-1037 | 93794-0205 | 93357-0001 | CCT 4 | NONE | NONE | | OPEN | OPEN | BETWEEN CCT 2&3 | NONE |
| 93334-1038 | 93794-0205 | 93357-0001 | NONE | NONE | b c d e | | OPEN | OPEN | BETWEEN CCT 2&3 | NONE |
| 93334-1039 | 93413-0425 | 93357-0001 | NONE | NONE | NONE | | CLOSED | CLOSED | BETWEEN CCT 4&5 | NONE |
| 93334-1040 | 93049-0025 | 93357-0001 | NONE | NONE | NONE | | CLOSED | CLOSED | NONE | NONE |
| 93334-1042 | 93794-0405 | 93357-0001 | NONE | NONE | NONE | | OPEN | OPEN | BETWEEN CCT 4&5 | NONE |
| 93334-1043 | 93794-0105 | 93357-0001 | NONE | NONE | NONE | | OPEN | OPEN | BETWEEN CCT 1&2 | NONE |
| 93334-1044 | 94006-0005 ZEUS | 93357-0001 | NONE | NONE | NONE | | OPEN | OPEN | NONE | NONE |
| 93334-1045 | 94006-0305 ZEUS | 93357-0001 | NONE | NONE | NONE | | OPEN | OPEN | BETWEEN CCT 3&4 | GREEN |
| 93334-1046 | 93464-0005 | 93357-0001 | NONE | NONE | b d e | | OPEN | OPEN | NONE | NONE |
| 93334-1047 | 94010-0005 | 93357-0001 | NONE | NONE | NONE | | OPEN | OPEN | NONE | NONE |

NOTES

- + DENOTES TERMINAL VOIDED POSITION
⊕ DENOTES TERMINAL LOADED POSITION
| DENOTES POLARIZING RIB POSITION
⊗ DENOTES LATCH POSITION
- MOLEX HOUSING NO. FOR REFERENCE ONLY

| | | | | | | | | | | | | | |
|---|--|------------------------|--|-------------------|--|------------|--|--|--|----------------|--|--------------|--|
| THIS DRAWING CONTAINS INFORMATION THAT IS PROPRIETARY TO MOLEX ELECTRONIC TECHNOLOGIES, LLC AND SHOULD NOT BE USED WITHOUT WRITTEN PERMISSION | | | | | | | | | | | | | |
| DIMENSION UNITS | | SCALE | | CURRENT REV DESC: | | | | | | | | | |
| mm | | | | | | | | | | | | | |
| GENERAL TOLERANCES (UNLESS SPECIFIED) | | | | EC NO: 715256 | | 2022/02/01 | | APPLI-MATE 2.5 FEMALE G.W.T 750 VERSION WITH BEAD ON TERMINAL | | | | | |
| ANGULAR TOL ± 0.5° | | | | DRWN: MBN02 | | 2022/07/06 | | | | | | | |
| 4 PLACES ± | | | | CHK'D: MBN02 | | 2022/08/17 | | PRODUCT CUSTOMER DRAWING | | | | | |
| 3 PLACES ± 0.05 | | | | APPR: EDUGGER | | | | | | | | | |
| 2 PLACES ± 0.1 | | | | INITIAL REVISION: | | | | DOCUMENT NUMBER 933340001 | | | | | |
| 1 PLACE ± 0.2 | | | | DRWN: CFISHER01 | | 2016/01/28 | | | | | | | |
| 0 PLACES ± | | | | APPR: MSHANAHAN | | 2016/05/16 | | DOC TYPE | | DOC PART | | REVISION | |
| DRAFT WHERE APPLICABLE MUST REMAIN WITHIN DIMENSIONS | | THIRD ANGLE PROJECTION | | DRAWING | | SERIES | | MATERIAL NUMBER | | CUSTOMER | | SHEET NUMBER | |
| | | | | A2-SIZE | | 93334 | | SEE SHEET 2-13 | | GENERAL MARKET | | 7 OF 13 | |

6 CIRCUIT

| PART NUMBER | HOUSING USED | MOLEX TERMINAL NO. | TERMINAL VOID POSITION | LATCH POSITION | REMOVED POSITION KEYS | CONFIGURATION | FIRST ENDWALL | LAST ENDWALL | 0.55mm POLARIZING RIB BETWEEN | COLOUR STRIPE |
|-------------|--------------|--------------------|------------------------|----------------|-----------------------|---------------|---------------|--------------|-------------------------------|---------------|
| 93334-1501 | 93464-0006 | 93357-0001 | NONE | NONE | NONE | | OPEN | OPEN | NONE | NONE |
| 93334-1502 | 93464-0006 | 93357-0001 | CCT 2,4 | NONE | NONE | | OPEN | OPEN | NONE | NONE |
| 93334-1503 | 93464-0006 | 93357-0001 | NONE | NONE | a d e f | | OPEN | OPEN | NONE | NONE |
| 93334-1504 | 93464-0006 | 93357-0001 | CCT 2, 5 | NONE | b c d e g | | OPEN | OPEN | NONE | NONE |
| 93334-1505 | 93464-0006 | 93357-0001 | NONE | NONE | b d e g | | OPEN | OPEN | NONE | NONE |
| 93334-1506 | 93464-0006 | 93357-0001 | NONE | NONE | g | | OPEN | OPEN | NONE | NONE |
| 93334-1507 | 93464-0006 | 93357-0001 | NONE | NONE | b c d g | | OPEN | OPEN | NONE | NONE |
| 93334-1508 | 93464-0006 | 93357-0001 | NONE | NONE | b c e | | OPEN | OPEN | NONE | NONE |
| 93334-1509 | 93464-0006 | 93357-0001 | NONE | NONE | b c d e f | | OPEN | OPEN | NONE | NONE |
| 93334-1510 | 93464-0006 | 93357-0001 | CCT 3, 5 | NONE | NONE | | OPEN | OPEN | NONE | NONE |
| 93334-1511 | 93464-0006 | 93357-0001 | CCT 4 | NONE | b c | | OPEN | OPEN | NONE | NONE |
| 93334-1512 | 93464-0006 | 93357-0001 | CCT 2,4 | NONE | b d e f | | OPEN | OPEN | NONE | BLUE |
| 93334-1513 | 93794-0406 | 93357-0001 | CCT 2,4 | NONE | NONE | | OPEN | OPEN | BETWEEN CCT 4&5 | NONE |
| 93334-1514 | 93464-0006 | 93357-0001 | NONE | NONE | d e f g | | OPEN | OPEN | NONE | NONE |
| 93334-1515 | 93464-0006 | 93357-0001 | NONE | NONE | a d | | OPEN | OPEN | NONE | NONE |
| 93334-1516 | 93464-0006 | 93357-0001 | NONE | NONE | b e f | | OPEN | OPEN | NONE | NONE |
| 93334-1517 | 93464-0006 | 93357-0001 | NONE | NONE | c d e | | OPEN | OPEN | NONE | NONE |
| 93334-1518 | 93464-0006 | 93357-0001 | CCT 1,3 | NONE | b d e g | | OPEN | OPEN | NONE | NONE |
| 93334-1520 | 93464-0006 | 93357-0001 | CCT 2, 5 | NONE | c e | | OPEN | OPEN | NONE | NONE |
| 93334-1521 | 93464-0006 | 93357-0001 | NONE | NONE | c e | | OPEN | OPEN | NONE | NONE |
| 93334-1522 | 93464-0006 | 93357-0001 | NONE | NONE | d e | | OPEN | OPEN | NONE | NONE |
| 93334-1523 | 93464-0006 | 93357-0001 | NONE | NONE | b e | | OPEN | OPEN | NONE | NONE |
| 93334-1524 | 93464-0006 | 93357-0001 | NONE | NONE | a c | | OPEN | OPEN | NONE | NONE |
| 93334-1525 | 93464-0006 | 93357-0001 | CCT 2, 5 | NONE | NONE | | OPEN | OPEN | NONE | RED |
| 93334-1526 | 93464-0006 | 93357-0001 | NONE | NONE | c d | | OPEN | OPEN | NONE | NONE |
| 93334-1527 | 93464-0006 | 93357-0001 | CCT 1,2,3,4 | NONE | NONE | | OPEN | OPEN | NONE | NONE |
| 93334-1528 | 93464-0006 | 93357-0001 | NONE | NONE | c e f g | | OPEN | OPEN | NONE | NONE |
| 93334-1529 | 93464-0006 | 93357-0001 | NONE | NONE | f | | OPEN | OPEN | NONE | NONE |
| 93334-1530 | 93464-0026 | 93357-0001 | NONE | NONE | NONE | | CLOSED | CLOSED | NONE | NONE |

6 CIRCUIT

| PART NUMBER | HOUSING USED | MOLEX TERMINAL NO. | TERMINAL VOID POSITION | LATCH POSITION | REMOVED POSITION KEYS | CONFIGURATION | FIRST ENDWALL | LAST ENDWALL | 0.55 POLARIZING RIB BETWEEN | COLOUR STRIPE |
|-------------|--------------|--------------------|------------------------|----------------|-----------------------|---------------|---------------|--------------|-----------------------------|---------------|
| 93334-1531 | 93464-0006 | 93357-0001 | NONE | NONE | b d | | OPEN | OPEN | NONE | NONE |
| 93334-1532 | 93464-0006 | 93357-0001 | NONE | NONE | d e | | OPEN | OPEN | NONE | VIOLET |
| 93334-1533 | 93413-0206 | 93357-0001 | CCT 2,5 | NONE | NONE | | OPEN | OPEN | BETWEEN CCT 2&3 | RED |
| 93334-1534 | 93413-0406 | 93357-0001 | NONE | NONE | NONE | | OPEN | OPEN | BETWEEN CCT 4&5 | BLUE |
| 93334-1535 | 93794-0106 | 93357-0001 | CCT 2,4,6 | NONE | NONE | | OPEN | OPEN | BETWEEN CCT 1&2 | BLACK |
| 93334-1536 | 93413-0106 | 93357-0001 | CCT 2,5 | NONE | NONE | | OPEN | OPEN | BETWEEN CCT 1&2 | BLACK |
| 93334-1537 | 93794-0206 | 93357-0001 | NONE | NONE | NONE | | OPEN | OPEN | BETWEEN CCT 2&3 | RED |
| 93334-1539 | 93464-0006 | 93357-0001 | CCT 3,4,5,6 | NONE | NONE | | OPEN | OPEN | NONE | NONE |
| 93334-1540 | 93464-0006 | 93357-0001 | NONE | NONE | a b c f g | | OPEN | OPEN | NONE | NONE |
| 93334-1541 | 93464-0006 | 93357-0001 | NONE | NONE | a b c d | | OPEN | OPEN | NONE | NONE |
| 93334-1542 | 93464-0006 | 93357-0001 | NONE | NONE | NONE | | OPEN | OPEN | NONE | BLUE |
| 93334-1543 | 93794-0106 | 93357-0001 | CCT 3,4,5,6 | NONE | NONE | | OPEN | OPEN | BETWEEN CCT 1&2 | BLACK |
| 93334-1544 | 93464-0006 | 93357-0001 | NONE | NONE | b f g | | OPEN | OPEN | NONE | NONE |
| 93334-1545 | 93464-0006 | 93357-0001 | CCT 3,5 | NONE | c d e | | OPEN | OPEN | NONE | NONE |
| 93334-1546 | 93049-0006 | 93357-0004 | NONE | NONE | NONE | | OPEN | OPEN | NONE | NONE |
| 93334-1547 | 93413-0226 | 93357-0004 | NONE | NONE | NONE | | CLOSED | CLOSED | BETWEEN CCT 2&3 | NONE |
| 93334-1548 | 93413-0326 | 93357-0004 | NONE | NONE | NONE | | CLOSED | CLOSED | BETWEEN CCT 3&4 | NONE |
| 93334-1549 | 93413-0426 | 93357-0004 | NONE | NONE | NONE | | CLOSED | CLOSED | BETWEEN CCT 4&5 | NONE |
| 93334-1550 | 93413-0126 | 93357-0004 | NONE | NONE | NONE | | CLOSED | CLOSED | BETWEEN CCT 1&2 | NONE |
| 93334-1551 | 93049-0006 | 93357-0004 | NONE | NONE | e f | | OPEN | OPEN | NONE | NONE |
| 93334-1553 | 93794-0206 | 93357-0001 | CCT 2,5 | NONE | NONE | | OPEN | OPEN | BETWEEN CCT 2&3 | NONE |

NOTES

- + DENOTES TERMINAL VOIDED POSITION
⊕ DENOTES TERMINAL LOADED POSITION
| DENOTES POLARIZING RIB POSITION
⊗ DENOTES LATCH POSITION
- MOLEX HOUSING NO. FOR REFERENCE ONLY

THIS DRAWING CONTAINS INFORMATION THAT IS PROPRIETARY TO MOLEX ELECTRONIC TECHNOLOGIES, LLC AND SHOULD NOT BE USED WITHOUT WRITTEN PERMISSION

| | | | | | |
|--|--------|----------------------------|--|--|--|
| DIMENSION UNITS | SCALE | CURRENT REV DESC: | | | |
| mm | | | | | |
| GENERAL TOLERANCES (UNLESS SPECIFIED) | | EC NO: 715256 | APPLI-MATE 2.5 FEMALE G.W.T 750 VERSION WITH BEAD ON TERMINAL | | |
| ANGULAR TOL | ± 0.5° | DRWN: MBN02 2022/02/01 | | | |
| 4 PLACES | ± | CHK'D: MBN02 2022/07/06 | PRODUCT CUSTOMER DRAWING | | |
| 3 PLACES | ± 0.05 | APPR: EDUGGER 2022/08/17 | | | |
| 2 PLACES | ± 0.1 | INITIAL REVISION: | DOCUMENT NUMBER: 933340001 DOC TYPE: PSD DOC PART: 000 REVISION: AC1 | | |
| 1 PLACE | ± 0.2 | DRWN: CFISHER01 2016/01/28 | | | |
| 0 PLACES | ± | APPR: MSHANAHAN 2016/05/16 | MATERIAL NUMBER: SEE SHEET 2-13 CUSTOMER: GENERAL MARKET SHEET NUMBER: 8 OF 13 | | |
| DRAFT WHERE APPLICABLE MUST REMAIN WITHIN DIMENSIONS | | THIRD ANGLE PROJECTION | | | |

6 CIRCUIT

| PART NUMBER | HOUSING USED | MOLEX TERMINAL NO. | TERMINAL VOID POSITION | LATCH POSITION | REMOVED POSITION KEYS | CONFIGURATION | FIRST ENDWALL | LAST ENDWALL | 0.55 POLARIZING RIB BETWEEN | COLOUR STRIPE |
|-------------|-----------------|--------------------|------------------------|----------------|-----------------------|---------------|---------------|--------------|-----------------------------|---------------|
| 93334-1554 | 93794-0506 | 93357-0001 | NONE | NONE | NONE | | OPEN | OPEN | BETWEEN CCT 5&6 | NONE |
| 93334-1555 | 93794-0106 | 93357-0001 | NONE | NONE | NONE | | OPEN | OPEN | BETWEEN CCT 1&2 | BLACK |
| 93334-1556 | 93794-0106 | 93357-0001 | NONE | NONE | NONE | | OPEN | OPEN | BETWEEN CCT 1&2 | BLUE |
| 93334-1557 | 93794-0206 | 93357-0001 | NONE | NONE | NONE | | OPEN | OPEN | BETWEEN CCT 2&3 | NONE |
| 93334-1558 | 93794-0106 | 93357-0001 | CCT 3 | NONE | NONE | | OPEN | OPEN | BETWEEN CCT 1&2 | NONE |
| 93334-1559 | 93794-0246 | 93357-0001 | NONE | NONE | NONE | | CLOSED | OPEN | BETWEEN CCT 2&3 | NONE |
| 93334-1560 | 93794-0406 | 93357-0001 | NONE | NONE | a g | | OPEN | OPEN | BETWEEN CCT 4&5 | NONE |
| 93334-1562 | 93794-0106 | 93357-0001 | NONE | NONE | NONE | | OPEN | OPEN | BETWEEN CCT 1&2 | NONE |
| 93334-1563 | 93794-0326 | 93357-0001 | CCT 2&5 | NONE | NONE | | CLOSED | CLOSED | BETWEEN CCT 3&4 | NONE |
| 93334-1564 | 93794-0426 | 93357-0001 | CCT 2&5 | NONE | NONE | | CLOSED | CLOSED | BETWEEN CCT 4&5 | NONE |
| 93334-1565 | 93794-0406 | 93357-0001 | NONE | NONE | NONE | | OPEN | OPEN | BETWEEN CCT 4&5 | BLUE |
| 93334-1566 | 93794-0306 | 93357-0001 | NONE | NONE | c f | | OPEN | OPEN | BETWEEN CCT 3&4 | NONE |
| 93334-1567 | 93464-0026 | 93357-0001 | CCT 2&5 | NONE | NONE | | CLOSED | CLOSED | NONE | NONE |
| 93334-1568 | 93464-0006 | 93357-0001 | NONE | NONE | d f | | OPEN | OPEN | NONE | NONE |
| 93334-1569 | 93464-0026 | 93357-0001 | NONE | NONE | c d | | CLOSED | CLOSED | NONE | NONE |
| 93334-1570 | 93464-0006 | 93357-0001 | CCT 2&5 | NONE | NONE | | OPEN | OPEN | NONE | NONE |
| 93334-1571 | 93464-0006 | 93357-0001 | NONE | NONE | c e g | | OPEN | OPEN | NONE | NONE |
| 93334-1572 | 93464-0046 | 93357-0001 | NONE | NONE | c d | | OPEN | CLOSED | NONE | NONE |
| 93334-1573 | 93794-0106 | 93357-0001 | NONE | NONE | a b | | OPEN | OPEN | BETWEEN CCT 1&2 | NONE |
| 93334-1574 | 93794-0506 | 93357-0001 | NONE | NONE | d f | | OPEN | OPEN | BETWEEN CCT 5&6 | NONE |
| 93334-1575 | 93464-9904 | 93357-0001 | CCT 2&5 | NONE | NONE | | NARROW FLUSH | FLUSH | NONE | NONE |
| 93334-1576 | 93794-0326 | 93357-0001 | CCT 2&5 | NONE | a b c | | CLOSED | CLOSED | BETWEEN CCT 3&4 | NONE |
| 93334-1577 | 93794-0426 | 93357-0001 | CCT 2&5 | NONE | e f g | | CLOSED | CLOSED | BETWEEN CCT 4&5 | NONE |
| 93334-1578 | 93794-0206 | 93357-0001 | CCT 2&5 | NONE | NONE | | OPEN | OPEN | BETWEEN CCT 2&3 | NONE |
| 93334-1579 | 93464-0006 | 93357-0001 | CCT 2&5 | NONE | NONE | | OPEN | OPEN | NONE | NONE |
| 93334-1580 | 94006-0006 ZEUS | 93357-0001 | NONE | NONE | NONE | | OPEN | OPEN | NONE | NONE |
| 93334-1581 | 93464-0306 | 93357-0001 | NONE | NONE | b c d e f g | | OPEN | OPEN | BETWEEN CCT 3&4 | NONE |
| 93334-1582 | 94010-0206 | 93357-0001 | NONE | NONE | NONE | | OPEN | OPEN | BETWEEN CCT 2 & 3 | RED |

THIS DRAWING CONTAINS INFORMATION THAT IS PROPRIETARY TO MOLEX ELECTRONIC TECHNOLOGIES, LLC AND SHOULD NOT BE USED WITHOUT WRITTEN PERMISSION

| | | | |
|--|--------|------------------------|----------------|
| DIMENSION UNITS | SCALE | CURRENT REV DESC: | |
| mm | | | |
| GENERAL TOLERANCES (UNLESS SPECIFIED) | | | |
| ANGULAR TOL | ± 0.5° | | |
| 4 PLACES | ± | | |
| 3 PLACES | ± 0.05 | | |
| 2 PLACES | ± 0.1 | | |
| 1 PLACE | ± 0.2 | | |
| 0 PLACES | ± | | |
| DRAFT WHERE APPLICABLE MUST REMAIN WITHIN DIMENSIONS | | THIRD ANGLE PROJECTION | DRAWING |
| | | | A2-SIZE |
| | | SERIES | 93334 |
| | | MATERIAL NUMBER | SEE SHEET 2-13 |
| | | CUSTOMER | GENERAL MARKET |
| | | SHEET NUMBER | 9 OF 13 |

EC NO: 715256
 DRWN: MBN02 2022/02/01
 CHK'D: MBN02 2022/07/06
 APPR: EDUGGER 2022/08/17

INITIAL REVISION:
 DRWN: CFISHER01 2016/01/28
 APPR: MSHANAHAN 2016/05/16

molex

APPLI-MATE 2.5 FEMALE
 G.W.T 750 VERSION WITH BEAD ON TERMINAL

PRODUCT CUSTOMER DRAWING

DOCUMENT NUMBER: 933340001
 DOC TYPE: PSD
 DOC PART: 000
 REVISION: AC1

| 7 CIRCUIT | | | | | | | | | | | |
|-------------|--------------|--------------------|------------------------|----------------|-----------------------|---------------|---------------|--------------|-------------------------------|---------------|--|
| PART NUMBER | HOUSING USED | MOLEX TERMINAL NO. | TERMINAL VOID POSITION | LATCH POSITION | REMOVED POSITION KEYS | CONFIGURATION | FIRST ENDWALL | LAST ENDWALL | 0.55mm POLARIZING RIB BETWEEN | COLOUR STRIPE | |
| 93334-2001 | 93464-0007 | 93357-0001 | NONE | NONE | NONE | | OPEN | OPEN | NONE | NONE | |
| 93334-2002 | 93464-0007 | 93357-0001 | CCT 2, 3, 5 | NONE | c d f h | | OPEN | OPEN | NONE | NONE | |
| 93334-2003 | 93464-0007 | 93357-0001 | NONE | NONE | a c d e f g | | OPEN | OPEN | NONE | NONE | |
| 93334-2004 | 93464-0007 | 93357-0001 | NONE | NONE | b c f h | | OPEN | OPEN | NONE | NONE | |
| 93334-2005 | 93464-0007 | 93357-0001 | NONE | NONE | b c d e f | | OPEN | OPEN | NONE | NONE | |
| 93334-2006 | 93464-0007 | 93357-0001 | CCT 3 | NONE | a c e f h | | OPEN | OPEN | NONE | YELLOW | |
| 93334-2007 | 93464-0007 | 93357-0001 | NONE | NONE | a c d e f h | | OPEN | OPEN | NONE | NONE | |
| 93334-2008 | 93464-0007 | 93357-0001 | CCT 2,4,6,7 | NONE | b e | | OPEN | OPEN | NONE | BLUE | |
| 93334-2009 | 93794-0607 | 93357-0001 | NONE | NONE | NONE | | OPEN | OPEN | BETWEEN CCT 6&7 | NONE | |
| 93334-2010 | 93464-0007 | 93357-0001 | CCT 2,3 | NONE | b c f h | | OPEN | OPEN | NONE | NONE | |
| 93334-2011 | 93464-0007 | 93357-0001 | NONE | NONE | a d | | OPEN | OPEN | NONE | NONE | |
| 93334-2012 | 93464-0007 | 93357-0001 | NONE | NONE | a b e f | | OPEN | OPEN | NONE | NONE | |
| 93334-2013 | 93464-0007 | 93357-0001 | NONE | NONE | b c d f | | OPEN | OPEN | NONE | NONE | |
| 93334-2015 | 93794-0107 | 93357-0001 | NONE | NONE | a h | | OPEN | OPEN | BETWEEN CCT 1&2 | NONE | |
| 93334-2016 | 93464-0007 | 93357-0001 | NONE | NONE | a d e f h | | OPEN | OPEN | NONE | NONE | |
| 93334-2017 | 93464-0007 | 93357-0001 | NONE | NONE | b d e f h | | OPEN | OPEN | NONE | NONE | |
| 93334-2018 | 93464-0007 | 93357-0001 | NONE | NONE | a b | | OPEN | OPEN | NONE | NONE | |
| 93334-2019 | 93464-0007 | 93357-0001 | NONE | NONE | c d e f g h | | OPEN | OPEN | NONE | NONE | |
| 93334-2020 | 93794-0227 | 93357-0001 | NONE | NONE | NONE | | CLOSED | CLOSED | BETWEEN CCT 2&3 | NONE | |
| 93334-2021 | 93464-0007 | 93357-0001 | NONE | NONE | c d e f | | OPEN | OPEN | NONE | NONE | |
| 93334-2022 | 93464-0007 | 93357-0001 | CCT 4 | CCT 4 | NONE | | CLOSED | OPEN | NONE | NONE | |
| 93334-2023 | 93464-0007 | 93357-0001 | CCT 7 | NONE | NONE | | OPEN | OPEN | NONE | NONE | |
| 93334-2024 | 93794-0207 | 93357-0001 | CCT 2,3 | NONE | NONE | | OPEN | OPEN | BETWEEN CCT 2&3 | BLACK | |
| 93334-2025 | 93049-0007 | 93357-0004 | NONE | NONE | NONE | | OPEN | OPEN | NONE | NONE | |
| 93334-2026 | 93464-0007 | 93357-0001 | NONE | NONE | NONE | | OPEN | CLOSED | NONE | NONE | |
| 93334-2027 | 93464-0007 | 93357-0001 | NONE | NONE | NONE | | OPEN | OPEN | NONE | BLUE | |
| 93334-2028 | 93794-0207 | 93357-0001 | NONE | NONE | NONE | | OPEN | OPEN | BETWEEN CCT 2&3 | NONE | |
| 93334-2029 | 93794-0507 | 93357-0001 | NONE | NONE | NONE | | OPEN | OPEN | BETWEEN CCT 5&6 | NONE | |
| 93334-2030 | 93794-0247 | 93357-0001 | NONE | NONE | NONE | | OPEN | CLOSED | BETWEEN CCT 2&3 | BLUE | |
| 93334-2031 | 93794-0207 | 93357-0001 | NONE | NONE | NONE | | OPEN | OPEN | BETWEEN CCT 2&3 | BLUE | |

| 7 CIRCUIT | | | | | | | | | | | |
|-------------|-----------------|--------------------|------------------------|----------------|-----------------------|---------------|---------------|--------------|-------------------------------|---------------|--|
| PART NUMBER | HOUSING USED | MOLEX TERMINAL NO. | TERMINAL VOID POSITION | LATCH POSITION | REMOVED POSITION KEYS | CONFIGURATION | FIRST ENDWALL | LAST ENDWALL | 0.55mm POLARIZING RIB BETWEEN | COLOUR STRIPE | |
| 93334-2032 | 93464-0007 | 93357-0001 | CCT 2, 3, 4, 6 | NONE | NONE | | OPEN | OPEN | NONE | NONE | |
| 93334-2033 | 93464-0007 | 93357-0001 | NONE | NONE | b c d e f g | | OPEN | OPEN | NONE | NONE | |
| 93334-2034 | 93413-0327 | 93357-0001 | NONE | NONE | NONE | | CLOSED | CLOSED | BETWEEN CCT 3&4 | NONE | |
| 93334-2035 | 93794-1767 | 93357-0001 | CCT 3 | NONE | NONE | | CLOSED | OPEN | BETWEEN CCT 2&3 & 5&6 | NONE | |
| 93334-2036 | 93794-1747 | 93357-0001 | CCT 5 | NONE | NONE | | OPEN | CLOSED | BETWEEN CCT 2&3 & 5&6 | NONE | |
| 93334-2037 | 94006-0007 ZEUS | 93357-0001 | NONE | NONE | NONE | | OPEN | OPEN | NONE | NONE | |
| 93334-2038 | 93794-0207 | 93357-0001 | CCT 4,6 | NONE | NONE | | OPEN | OPEN | BETWEEN CCT 2&3 | NONE | |
| 93334-2039 | 93464-0007 | 93357-0001 | NONE | NONE | b d e f g h | | OPEN | OPEN | NONE | NONE | |
| 93334-2040 | 93413-8327 | 93357-0001 | CCT 2,4,6 | CCT 4 | NONE | | CLOSED | CLOSED | BETWEEN CCT 1&2 | NONE | |
| 93334-2041 | 93413-9916 | 93357-0001 | CCT 2,4,6 | CCT 4 | NONE | | NARROW FLUSH | NARROW FLUSH | BETWEEN CCT 1&2 | NONE | |
| 93334-2042 | 93413-8307 | 93357-0001 | NONE | CCT 4 | NONE | | OPEN | OPEN | BETWEEN CCT 1&2 | NONE | |

AC1
AC1

NOTES

- + DENOTES TERMINAL VOIDED POSITION
⊕ DENOTES TERMINAL LOADED POSITION
| DENOTES POLARIZING RIB POSITION
⊗ DENOTES LATCH POSITION
- MOLEX HOUSING NO. FOR REFERENCE ONLY

| | | | | | | | | | | | | | | | |
|---|--|--------|--|--|--|---------|--|-------------------------------|--|-----------------|--|----------------|--|--------------|--|
| THIS DRAWING CONTAINS INFORMATION THAT IS PROPRIETARY TO MOLEX ELECTRONIC TECHNOLOGIES, LLC AND SHOULD NOT BE USED WITHOUT WRITTEN PERMISSION | | | | | | | | | | | | | | | |
| DIMENSION UNITS | | SCALE | | CURRENT REV DESC: | | | | | | | | | | | |
| mm | | | | | | | | | | | | | | | |
| GENERAL TOLERANCES (UNLESS SPECIFIED) | | | | <p>molex</p> <p>APPLI-MATE 2.5 FEMALE G.W.T 750 VERSION WITH BEAD ON TERMINAL</p> <p>PRODUCT CUSTOMER DRAWING</p> <p>DOCUMENT NUMBER: 933340001 DOC TYPE: PSD DOC PART: 000 REVISION: AC1</p> | | | | | | | | | | | |
| ANGULAR TOL | | ± 0.5° | | | | | | | | | | | | | |
| 4 PLACES | | ± | | | | | | | | | | | | | |
| 3 PLACES | | ± 0.05 | | | | | | | | | | | | | |
| 2 PLACES | | ± 0.1 | | | | | | | | | | | | | |
| 1 PLACE | | ± 0.2 | | INITIAL REVISION: | | | | | | | | | | | |
| 0 PLACES | | ± | | DRWN: MSHANAHAN 2016/05/16 | | | | DRWN: CFISHER01 2016/01/28 | | | | | | | |
| DRAFT WHERE APPLICABLE MUST REMAIN WITHIN DIMENSIONS | | | | THIRD ANGLE PROJECTION | | DRAWING | | SERIES | | MATERIAL NUMBER | | CUSTOMER | | SHEET NUMBER | |
| | | | | | | A2-SIZE | | 93334 | | SEE SHEET 2-13 | | GENERAL MARKET | | 10 OF 13 | |

8 CIRCUIT

| PART NUMBER | HOUSING USED | MOLEX TERMINAL NO. | TERMINAL VOID POSITION | LATCH POSITION | REMOVED POSITION KEYS | CONFIGURATION | FIRST ENDWALL | LAST ENDWALL | 0.55mm POLARIZING RIB BETWEEN | COLOUR STRIPE |
|-------------|--------------|--------------------|------------------------|----------------|-----------------------|---------------|---------------|--------------|-------------------------------|---------------|
| 93334-2501 | 93464-0008 | 93357-0001 | NONE | NONE | NONE | | OPEN | OPEN | NONE | NONE |
| 93334-2502 | 93464-0008 | 93357-0001 | CCT 2,5,7 | NONE | b c d f g h i | | OPEN | OPEN | NONE | NONE |
| 93334-2503 | 93464-0008 | 93357-0001 | NONE | NONE | c f h i | | OPEN | OPEN | NONE | NONE |
| 93334-2504 | 93794-0608 | 93357-0001 | NONE | NONE | NONE | | OPEN | OPEN | BETWEEN CCT 6&7 | BLUE |
| 93334-2505 | 93794-0708 | 93357-0001 | NONE | NONE | NONE | | OPEN | OPEN | BETWEEN CCT 7&8 | BLUE |
| 93334-2506 | 93464-0008 | 93357-0001 | NONE | NONE | b c d g h i | | OPEN | OPEN | NONE | NONE |
| 93334-2507 | 93794-0708 | 93357-0001 | NONE | NONE | NONE | | OPEN | OPEN | BETWEEN CCT 7&8 | NONE |
| 93334-2508 | 93794-0608 | 93357-0001 | NONE | NONE | NONE | | OPEN | OPEN | BETWEEN CCT 6&7 | NONE |
| 93334-2509 | 93464-0008 | 93357-0001 | CCT 1,2,5 | NONE | a b d f h i | | OPEN | OPEN | NONE | NONE |
| 93334-2751 | 93464-0008 | 93357-0001 | NONE | NONE | NONE | | OPEN | CLOSED | NONE | NONE |
| 93334-2752 | 93464-0008 | 93357-0001 | CCT 1,2,7,8 | NONE | a b d f h i | | OPEN | OPEN | NONE | BLACK |
| 93334-2753 | 93794-1308 | 93357-0001 | NONE | NONE | NONE | | OPEN | OPEN | BETWEEN 1&2 + 7&8 | NONE |
| 93334-2754 | 93794-0568 | 93357-0001 | NONE | NONE | NONE | | CLOSED | OPEN | BETWEEN CCT 5&6 | NONE |
| 93334-2510 | 93464-0008 | 93357-0001 | NONE | NONE | a b c d g h | | OPEN | OPEN | NONE | NONE |
| 93334-2511 | 93464-0008 | 93357-0001 | NONE | NONE | a c d e g h i | | OPEN | OPEN | NONE | NONE |
| 93334-2512 | 93464-0008 | 93357-0001 | CCT 2,7 | CCT 2 & 7 | NONE | | OPEN | OPEN | NONE | NONE |
| 93334-2513 | 93413-0208 | 93357-0001 | NONE | NONE | NONE | | OPEN | OPEN | BETWEEN CCT 2&3 | BROWN |
| 93334-2514 | 93464-0008 | 93357-0001 | CCT 2,4 | NONE | NONE | | OPEN | OPEN | NONE | NONE |
| 93334-2515 | 93464-0008 | 93357-0001 | CCT 6,7,8 | NONE | NONE | | OPEN | OPEN | NONE | NONE |
| 93334-2516 | 93049-0008 | 93357-0004 | NONE | NONE | NONE | | OPEN | OPEN | NONE | NONE |
| 93334-2517 | 93049-0008 | 93357-0004 | NONE | NONE | b c d h | | OPEN | OPEN | NONE | NONE |
| 93334-2518 | 93049-0008 | 93357-0004 | NONE | NONE | b c d g h | | OPEN | OPEN | NONE | NONE |
| 93334-2519 | 93794-0208 | 93357-0001 | NONE | NONE | NONE | | OPEN | OPEN | BETWEEN CCT 2&3 | NONE |
| 93334-2520 | 93794-0508 | 93357-0001 | NONE | NONE | NONE | | OPEN | OPEN | BETWEEN CCT 5&6 | NONE |
| 93334-2521 | 93794-0648 | 93357-0001 | CCT 5&7 | NONE | b c d | | OPEN | CLOSED | BETWEEN CCT 6&7 | NONE |
| 93334-2522 | 93794-0508 | 93357-0001 | NONE | NONE | a b c d | | OPEN | OPEN | BETWEEN CCT 5&6 | NONE |
| 93334-2523 | 93464-0008 | 93357-0001 | NONE | NONE | c h i | | OPEN | OPEN | NONE | NONE |
| 93334-2524 | 93464-0068 | 93357-0001 | CCT 5&7 | NONE | NONE | | CLOSED | OPEN | NONE | NONE |
| 93334-2525 | 93794-0308 | 93357-0001 | NONE | NONE | NONE | | OPEN | OPEN | BETWEEN CCT 3&4 | NONE |
| 93334-2526 | 93464-0008 | 93357-0001 | CCT 5&7 | NONE | NONE | | OPEN | OPEN | NONE | NONE |

8 CIRCUIT

| PART NUMBER | HOUSING USED | MOLEX TERMINAL NO. | TERMINAL VOID POSITION | LATCH POSITION | REMOVED POSITION KEYS | CONFIGURATION | FIRST ENDWALL | LAST ENDWALL | 0.55mm POLARIZING RIB BETWEEN | COLOUR STRIPE |
|-------------|--------------|--------------------|------------------------|----------------|-----------------------|---------------|---------------|--------------|-------------------------------|---------------|
| 93334-2527 | 93794-0368 | 93357-0001 | NONE | NONE | NONE | | CLOSED | OPEN | BETWEEN CCT 3&4 | NONE |
| 93334-2528 | 93464-9905 | 93357-0001 | CCT 5,7 | NONE | b c d | | NARROW FLUSH | OPEN | NONE | NONE |
| 93334-2529 | 93464-0008 | 93357-0001 | NONE | NONE | b c d h i | | OPEN | OPEN | NONE | NONE |
| 93334-2530 | 94010-0208 | 93357-0001 | NONE | NONE | NONE | | OPEN | OPEN | BETWEEN CCT 2&3 | BROWN |
| 93334-2531 | 94010-0208 | 93357-0001 | NONE | NONE | NONE | | OPEN | OPEN | BETWEEN CCT 2&3 | ORANGE |

NOTES

- + DENOTES TERMINAL VOIDED POSITION
⊕ DENOTES TERMINAL LOADED POSITION
| DENOTES POLARIZING RIB POSITION
⊠ DENOTES LATCH POSITION
- MOLEX HOUSING NO. FOR REFERENCE ONLY

| | | | | | | | | | |
|---|--|------------------------|--|--|--|------------|--|-----------------|--|
| THIS DRAWING CONTAINS INFORMATION THAT IS PROPRIETARY TO MOLEX ELECTRONIC TECHNOLOGIES, LLC AND SHOULD NOT BE USED WITHOUT WRITTEN PERMISSION | | | | | | | | | |
| DIMENSION UNITS | | SCALE | | CURRENT REV DESC: | | | | | |
| mm | | | | | | | | | |
| GENERAL TOLERANCES (UNLESS SPECIFIED) | | | | <p>molex</p> <p>APPLI-MATE 2.5 FEMALE G.W.T 750 VERSION WITH BEAD ON TERMINAL</p> <p>PRODUCT CUSTOMER DRAWING</p> <p>DOCUMENT NUMBER: 933340001 DOC TYPE: PSD DOC PART: 000 REVISION: AC1</p> | | | | | |
| ANGULAR TOL | | ± 0.5° | | | | | | | |
| 4 PLACES | | ± | | | | | | | |
| 3 PLACES | | ± 0.05 | | | | | | | |
| 2 PLACES | | ± 0.1 | | | | | | | |
| 1 PLACE | | ± 0.2 | | INITIAL REVISION: | | | | | |
| 0 PLACES | | ± | | DRWN: MSHANAHAN | | 2016/05/16 | | | |
| DRAFT WHERE APPLICABLE MUST REMAIN WITHIN DIMENSIONS | | THIRD ANGLE PROJECTION | | DRAWING | | SERIES | | MATERIAL NUMBER | |
| | | | | A2-SIZE | | 93334 | | SEE SHEET 2-13 | |
| | | | | GENERAL MARKET | | | | SHEET NUMBER | |
| | | | | | | | | 11 OF 13 | |

9 CIRCUIT

| PART NUMBER | HOUSING USED | MOLEX TERMINAL NO. | TERMINAL VOID POSITION | LATCH POSITION | REMOVED POSITION KEYS | CONFIGURATION | FIRST ENDWALL | LAST ENDWALL | 0.55mm POLARIZING RIB BETWEEN | COLOUR STRIPE |
|-------------|-----------------|--------------------|------------------------|----------------|-----------------------|---------------|---------------|--------------|-------------------------------|---------------|
| 93334-3001 | 93464-0009 | 93357-0001 | NONE | NONE | NONE | | OPEN | OPEN | NONE | NONE |
| 93334-3002 | 93464-0009 | 93357-0001 | CCT 3, 5, 8 | NONE | b c d e f g h i | | OPEN | OPEN | NONE | NONE |
| 93334-3003 | 93794-0809 | 93357-0001 | NONE | NONE | NONE | | OPEN | OPEN | BETWEEN CCT 8&9 | NONE |
| 93334-3004 | 93794-0409 | 93357-0001 | NONE | NONE | NONE | | OPEN | OPEN | BETWEEN CCT 4&5 | NONE |
| 93334-3005 | 93464-0009 | 93357-0001 | CCT 2, 5, 8 | NONE | b c h i | | OPEN | OPEN | NONE | NONE |
| 93334-3006 | 93464-0009 | 93357-0001 | NONE | NONE | b c h i | | OPEN | OPEN | NONE | NONE |
| 93334-3007 | 93464-0009 | 93357-0001 | CCT 3, 5, 8 | NONE | NONE | | OPEN | OPEN | NONE | BLUE |
| 93334-3008 | 93464-0009 | 93357-0001 | NONE | NONE | b c e f g i | | OPEN | OPEN | NONE | NONE |
| 93334-3009 | 93794-0209 | 93357-0001 | CCT 2,5,7 | NONE | NONE | | OPEN | OPEN | BETWEEN CCT 2&3 | BLACK |
| 93334-3010 | 93794-0209 | 93357-0001 | NONE | NONE | NONE | | OPEN | OPEN | BETWEEN CCT 2&3 | BLACK |
| 93334-3011 | 93794-0209 | 93357-0001 | CCT 3 | NONE | NONE | | OPEN | OPEN | BETWEEN CCT 2&3 | BLUE |
| 93334-3012 | 93464-0009 | 93357-0001 | CCT 4,6,8 | NONE | c d e f h i j | | OPEN | OPEN | NONE | NONE |
| 93334-3013 | 93049-0009 | 93357-0004 | NONE | NONE | NONE | | OPEN | OPEN | NONE | NONE |
| 93334-3014 | 93794-0209 | 93357-0001 | NONE | NONE | NONE | | OPEN | OPEN | BETWEEN CCT 2&3 | NONE |
| 93334-3015 | 93794-0369 | 93357-0001 | NONE | NONE | NONE | | CLOSED | OPEN | BETWEEN CCT 3&4 | NONE |
| 93334-3016 | 93413-0229 | 93357-0001 | CCT 3,5,7 | NONE | a j | | CLOSED | CLOSED | BETWEEN CCT 2&3 | NONE |
| 93334-3017 | 93413-0729 | 93357-0001 | CCT 3,5,7 | NONE | a j | | CLOSED | CLOSED | BETWEEN CCT 7&8 | NONE |
| 93334-3018 | 94006-0209 ZEUS | 93357-0001 | NONE | NONE | NONE | | OPEN | OPEN | BETWEEN CCT 2&3 | NONE |
| 93334-3019 | 94006-9912 ZEUS | 93357-0001 | NONE | NONE | NONE | | NARROW FLUSH | NARROW FLUSH | BETWEEN CCT 8&9 | NONE |
| 93334-3020 | 94006-0607 ZEUS | 93357-0001 | NONE | NONE | a j | | OPEN | OPEN | BETWEEN CCT 6&7 | NONE |
| 93334-3021 | 94010-0209 | 93357-0001 | CCT 2,5,7 | NONE | NONE | | OPEN | OPEN | BETWEEN CCT 2&3 | BLACK |

11 CIRCUIT

| PART NUMBER | HOUSING USED | MOLEX TERMINAL NO. | TERMINAL VOID POSITION | LATCH POSITION | REMOVED POSITION KEYS | CONFIGURATION | FIRST ENDWALL | LAST ENDWALL | 0.55mm POLARIZING RIB BETWEEN | COLOUR STRIPE |
|-------------|--------------|--------------------|------------------------|----------------|-----------------------|---------------|---------------|--------------|-------------------------------|---------------|
| 93334-4001 | 93464-0011 | 93357-0001 | NONE | NONE | NONE | | OPEN | OPEN | NONE | NONE |
| 93334-4002 | 93794-0911 | 93357-0001 | NONE | NONE | b c d e f g h i j k | | OPEN | OPEN | BETWEEN CCT 9&10 | BLUE |
| 93334-4003 | 93464-0011 | 93357-0001 | NONE | NONE | b c d g h i j k | | OPEN | OPEN | NONE | NONE |
| 93334-4004 | 93794-0911 | 93357-0001 | NONE | NONE | NONE | | OPEN | OPEN | BETWEEN CCT 9&10 | NONE |
| 93334-4005 | 93049-0011 | 93357-0004 | NONE | NONE | NONE | | OPEN | OPEN | NONE | NONE |
| 93334-4006 | 93794-1011 | 93357-0001 | NONE | NONE | NONE | | OPEN | OPEN | BETWEEN CCT 10&11 | NONE |
| 93334-4007 | 93794-0511 | 93357-0001 | NONE | NONE | a b j k | | OPEN | OPEN | BETWEEN CCT 5&6 | NONE |
| 93334-4008 | 93794-0511 | 93357-0001 | NONE | NONE | a b k l | | OPEN | OPEN | BETWEEN CCT 5&6 | NONE |
| 93334-4009 | 93794-0911 | 93357-0001 | CCT 2,4,6,8 | NONE | NONE | | OPEN | OPEN | BETWEEN CCT 9&10 | NONE |

10 CIRCUIT

| PART NUMBER | HOUSING USED | MOLEX TERMINAL NO. | TERMINAL VOID POSITION | LATCH POSITION | REMOVED POSITION KEYS | CONFIGURATION | FIRST ENDWALL | LAST ENDWALL | 0.55mm POLARIZING RIB BETWEEN | COLOUR STRIPE |
|-------------|--------------|--------------------|------------------------|----------------|-----------------------|---------------|---------------|--------------|-------------------------------|---------------|
| 93334-3501 | 93464-0010 | 93357-0001 | NONE | NONE | NONE | | OPEN | OPEN | NONE | NONE |
| 93334-3502 | 93794-0110 | 93357-0001 | NONE | NONE | NONE | | OPEN | OPEN | BETWEEN CCT 1&2 | NONE |
| 93334-3503 | 93464-0010 | 93357-0001 | CCT 2,9 | NONE | NONE | | OPEN | OPEN | NONE | BLUE |
| 93334-3504 | 93794-0710 | 93357-0001 | NONE | NONE | NONE | | OPEN | OPEN | BETWEEN CCT 7&8 | NONE |
| 93334-3505 | 93049-0010 | 93357-0004 | NONE | NONE | NONE | | OPEN | OPEN | NONE | NONE |
| 93334-3506 | 93413-0410 | 93357-0004 | NONE | NONE | NONE | | OPEN | OPEN | BETWEEN CCT 4&5 | NONE |
| 93334-3507 | 93794-0210 | 93357-0001 | NONE | NONE | NONE | | OPEN | OPEN | BETWEEN CCT 2&3 | NONE |
| 93334-3508 | 93464-0030 | 93357-0001 | NONE | NONE | NONE | | CLOSED | CLOSED | NONE | NONE |
| 93334-3509 | 93464-0010 | 93357-0001 | CCT 2,6,9 | NONE | NONE | | OPEN | OPEN | NONE | NONE |
| 93334-3510 | 93049-0030 | 93357-0001 | NONE | NONE | NONE | | CLOSED | CLOSED | NONE | NONE |
| 93334-3511 | 93794-0210 | 93357-0001 | NONE | NONE | a k | | OPEN | OPEN | BETWEEN CCT 2&3 | NONE |

NOTES

- + DENOTES TERMINAL VOIDED POSITION
⊕ DENOTES TERMINAL LOADED POSITION
| DENOTES POLARIZING RIB POSITION
⊠ DENOTES LATCH POSITION
- MOLEX HOUSING NO. FOR REFERENCE ONLY

THIS DRAWING CONTAINS INFORMATION THAT IS PROPRIETARY TO MOLEX ELECTRONIC TECHNOLOGIES, LLC AND SHOULD NOT BE USED WITHOUT WRITTEN PERMISSION

| | | | | | | |
|--|--------|----------------------------|---|--|--|--|
| DIMENSION UNITS | SCALE | CURRENT REV DESC: | | | | |
| mm | | | | | | |
| GENERAL TOLERANCES (UNLESS SPECIFIED) | | EC NO: 715256 | APPLI-MATE 2.5 FEMALE G.W.T 750 VERSION WITH BEAD ON TERMINAL | | | |
| ANGULAR TOL | ± 0.5° | DRWN: MBN02 2022/02/01 | | | | |
| 4 PLACES | ± | CHK'D: MBN02 2022/07/06 | PRODUCT CUSTOMER DRAWING | | | |
| 3 PLACES | ± 0.05 | APPR: EDUGGER 2022/08/17 | | | | |
| 2 PLACES | ± 0.1 | INITIAL REVISION: | DOCUMENT NUMBER: 933340001 DOC TYPE: PSD DOC PART: 000 REVISION: AC1 | | | |
| 1 PLACE | ± 0.2 | DRWN: CFISHER01 2016/01/28 | | | | |
| 0 PLACES | ± | APPR: MSHANAHAN 2016/05/16 | MATERIAL NUMBER: SEE SHEET 2-13 CUSTOMER: GENERAL MARKET SHEET NUMBER: 12 OF 13 | | | |
| DRAFT WHERE APPLICABLE MUST REMAIN WITHIN DIMENSIONS | | THIRD ANGLE PROJECTION | | | | |

12 CIRCUIT

| PART NUMBER | HOUSING USED | MOLEX TERMINAL NO. | TERMINAL VOID POSITION | LATCH POSITION | REMOVED POSITION KEYS | CONFIGURATION | FIRST ENDWALL | LAST ENDWALL | 0.55mm POLARIZING RIB BETWEEN | COLOUR STRIPE |
|-------------|--------------|--------------------|------------------------|----------------|-----------------------|---------------|---------------|--------------|-------------------------------|---------------|
| 93334-4501 | 93464-0012 | 93357-0001 | NONE | NONE | NONE | | OPEN | OPEN | NONE | NONE |
| 93334-4502 | 93464-0072 | 93357-0001 | NONE | NONE | b c d f h i k l | | CLOSED | OPEN | NONE | NONE |
| 93334-4503 | 93464-0032 | 93357-0001 | NONE | NONE | NONE | | CLOSED | CLOSED | NONE | NONE |
| 93334-4504 | 93464-0072 | 93357-0001 | NONE | NONE | NONE | | CLOSED | OPEN | NONE | NONE |
| 93334-4505 | 93464-0012 | 93357-0001 | CCT 1,2 | NONE | a d f g i k m | | OPEN | OPEN | NONE | GREEN |
| 93334-4506 | 93464-0012 | 93357-0001 | CCT 2,4,6,8 | NONE | NONE | | OPEN | OPEN | NONE | NONE |
| 93334-4507 | 93794-0812 | 93357-0001 | CCT 2,4,6,8 | NONE | NONE | | OPEN | OPEN | BETWEEN CCT 8&9 | NONE |
| 93334-4508 | 93794-1632 | 93357-0001 | CCT 9&11 | NONE | b c d g h i | | CLOSED | CLOSED | BETWEEN CCT 2&3, 10&11 | NONE |
| 93334-4509 | 93794-1112 | 93357-0001 | NONE | NONE | a b L m | | OPEN | OPEN | BETWEEN CCT 11&12 | NONE |
| 93334-4510 | 93794-0812 | 93357-0001 | CCT 2,4,6,8 | NONE | h i j | | OPEN | OPEN | BETWEEN CCT 8&9 | NONE |
| 93334-4511 | 93049-0032 | 93357-0001 | NONE | NONE | NONE | | CLOSED | CLOSED | NONE | NONE |

13 CIRCUIT

| PART NUMBER | HOUSING USED | MOLEX TERMINAL NO. | TERMINAL VOID POSITION | LATCH POSITION | REMOVED POSITION KEYS | CONFIGURATION | FIRST ENDWALL | LAST ENDWALL | 0.55mm POLARIZING RIB BETWEEN | COLOUR STRIPE |
|-------------|-----------------|--------------------|------------------------|----------------|-----------------------|---------------|---------------|--------------|-------------------------------|---------------|
| 93334-5001 | 93464-0013 | 93357-0001 | NONE | NONE | NONE | | OPEN | OPEN | NONE | NONE |
| 93334-5002 | 93413-0213 | 93357-0001 | CCT 2,5,7,12 | NONE | a n | | OPEN | OPEN | BETWEEN CCT 2&3 | NONE |
| 93334-5003 | 94006-0213 ZEUS | 93357-0001 | CCT 12 | NONE | NONE | | OPEN | OPEN | BETWEEN CCT 2&3 | BLUE |

14 CIRCUIT

| PART NUMBER | HOUSING USED | MOLEX TERMINAL NO. | TERMINAL VOID POSITION | LATCH POSITION | REMOVED POSITION KEYS | CONFIGURATION | FIRST ENDWALL | LAST ENDWALL | 0.55mm POLARIZING RIB BETWEEN | COLOUR STRIPE |
|-------------|-----------------|--------------------|------------------------|----------------|-----------------------|---------------|---------------|--------------|-------------------------------|---------------|
| 93334-5501 | 93464-0014 | 93357-0001 | NONE | NONE | NONE | | OPEN | OPEN | NONE | NONE |
| 93334-5502 | 94006-0534 ZEUS | 93357-0001 | NONE | NONE | NONE | | CLOSED | CLOSED | BETWEEN CCT 5&6 | NONE |

15 CIRCUIT

| PART NUMBER | HOUSING USED | MOLEX TERMINAL NO. | TERMINAL VOID POSITION | LATCH POSITION | REMOVED POSITION KEYS | CONFIGURATION | FIRST ENDWALL | LAST ENDWALL | 0.55mm POLARIZING RIB BETWEEN | COLOUR STRIPE |
|-------------|--------------|--------------------|------------------------|----------------|-----------------------|---------------|---------------|--------------|-------------------------------|---------------|
| 93334-6001 | 93464-0015 | 93357-0001 | NONE | NONE | NONE | | OPEN | OPEN | NONE | NONE |
| 93334-6002 | 93794-0215 | 93357-0001 | CCT 10, 12, 14 | NONE | NONE | | OPEN | OPEN | BETWEEN CCT 2&3 | NONE |
| 93334-6003 | 93049-0015 | 93357-0004 | NONE | NONE | NONE | | OPEN | OPEN | NONE | NONE |
| 93334-6004 | 93413-0215 | 93357-0004 | NONE | NONE | NONE | | OPEN | OPEN | BETWEEN CCT 7&8 | NONE |

16 CIRCUIT

| PART NUMBER | HOUSING USED | MOLEX TERMINAL NO. | TERMINAL VOID POSITION | LATCH POSITION | REMOVED POSITION KEYS | CONFIGURATION | FIRST ENDWALL | LAST ENDWALL | 0.55mm POLARIZING RIB BETWEEN | COLOUR STRIPE |
|-------------|--------------|--------------------|------------------------|----------------|-----------------------|---------------|---------------|--------------|-------------------------------|---------------|
| 93334-6501 | 93464-0016 | 93357-0001 | NONE | NONE | NONE | | OPEN | OPEN | NONE | NONE |
| 93334-6502 | 93049-0016 | 93357-0004 | NONE | NONE | NONE | | OPEN | OPEN | NONE | NONE |

THIS DRAWING CONTAINS INFORMATION THAT IS PROPRIETARY TO MOLEX ELECTRONIC TECHNOLOGIES, LLC AND SHOULD NOT BE USED WITHOUT WRITTEN PERMISSION

| | | | | | | | |
|--|-------|----------------------------|------------------|---|--|--|--|
| DIMENSION UNITS | SCALE | CURRENT REV DESC: | | molex | | | |
| mm | | | | | | | |
| GENERAL TOLERANCES (UNLESS SPECIFIED) | | EC NO: 715256 | | APPLI-MATE 2.5 FEMALE G.W.T 750 VERSION WITH BEAD ON TERMINAL | | | |
| ANGULAR TOL ± 0.5° | | DRWN: MBN02 2022/02/01 | | | | | |
| 4 PLACES ± | | CHK'D: MBN02 2022/07/06 | | PRODUCT CUSTOMER DRAWING | | | |
| 3 PLACES ± 0.05 | | APPR: EDUGGER 2022/08/17 | | | | | |
| 2 PLACES ± 0.1 | | INITIAL REVISION: | | DOCUMENT NUMBER: 933340001 DOC TYPE: PSD DOC PART: 000 REVISION: AC1 | | | |
| 1 PLACE ± 0.2 | | DRWN: CFISHER01 2016/01/28 | | | | | |
| 0 PLACES ± | | APPR: MSHANAHAN 2016/05/16 | | MATERIAL NUMBER: SEE SHEET 2-13 CUSTOMER: GENERAL MARKET SHEET NUMBER: 13 OF 13 | | | |
| DRAFT WHERE APPLICABLE MUST REMAIN WITHIN DIMENSIONS | | THIRD ANGLE PROJECTION | DRAWING: A2-SIZE | | | | |