

PAGE 1/2

ISSUE 16-04-20

SERIE : DPDT

PART NUMBER : R577322000

## RF CHARACTERISTICS

Frequency range : **0 - 3 GHz**  
 Impedance : **50 Ohms**

|                    |                |
|--------------------|----------------|
| Frequency (GHz)    | <b>DC - 3</b>  |
| VSWR max           | <b>1.20</b>    |
| Insertion loss max | <b>0.20 dB</b> |
| Isolation min      | <b>80 dB</b>   |
| Average power (*)  | <b>240 W</b>   |

## ELECTRICAL CHARACTERISTICS

Actuator : **FAILSAFE**  
 Nominal current \*\* : **340 mA**  
 Actuator voltage (Vcc) : **12V (10.2 to 13V)**  
 Terminals : **solder pins (250°C max. / 30 sec.)**  
 Indicator rating : **1 W / 30 V / 100 mA**

## MECHANICAL CHARACTERISTICS

Connectors : **SMA female per MIL-C 39012**  
 Life : **2.5 million cycles**  
 Switching Time\*\*\* : **< 15 ms**  
 Construction : **Splashproof**  
 Weight : **< 100 g**

## ENVIRONMENTAL CHARACTERISTICS

Operating temperature range : **-40°C to +85°C**  
 Storage temperature range : **-55°C to +85°C**

(\* Average power at 25°C per RF Path)

(\*\* At 25° C ±10%)

(\*\*\* Nominal voltage ; 25° C)



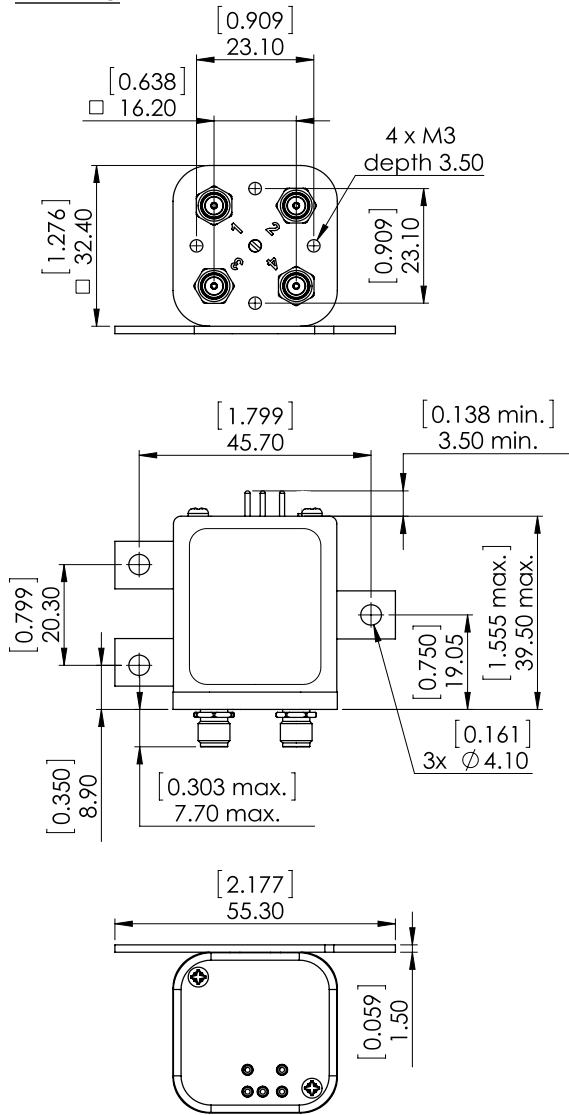
PAGE 2/2

ISSUE 16-04-20

SERIE : DPDT

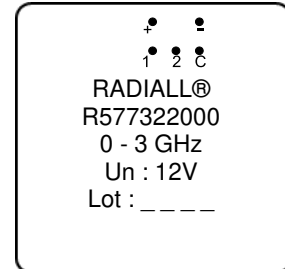
PART NUMBER : R577322000

**DRAWING**

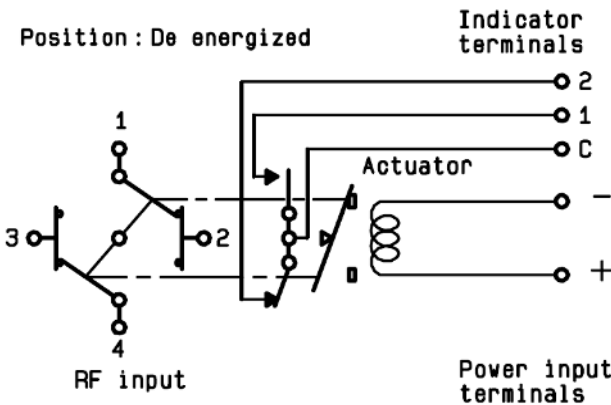


General tolerances : ±0,5 mm [0,02 in]

**LABEL**



**SCHEMATIC DIAGRAM**



| Voltage      | RF Continuity | Ind. |
|--------------|---------------|------|
| energized    | 1 ↔ 3 / 2 ↔ 4 | C.1  |
| De-energized | 1 ↔ 2 / 3 ↔ 4 | C.2  |