



Conforms to EN60204-1, EN954-1, VDE 0113-1
UL and C-UL listed, BG approved



H

safety monitoring relays

SR101A

Single-Channel Safety Monitoring Relay

- Power requirements—the SR101A will accept 24 VAC/DC, 115 VAC, or 230 VAC
- Inputs—a single N/C input channel, *not monitored*, is provided
- Outputs—the SR101A has two N/O outputs to route power to the coils of power contactors
- External Device Monitoring (EDM) is provided with a N/C loop between S11 and S21 on the SR101A
- Reset mode—an automatic reset mode is provided with the SR101A

A Go to the Engineering Guide
For in-depth information on safety standards and use.



USA Tel. 1/888/510-4357
Canada Tel. 1/800/221-7060

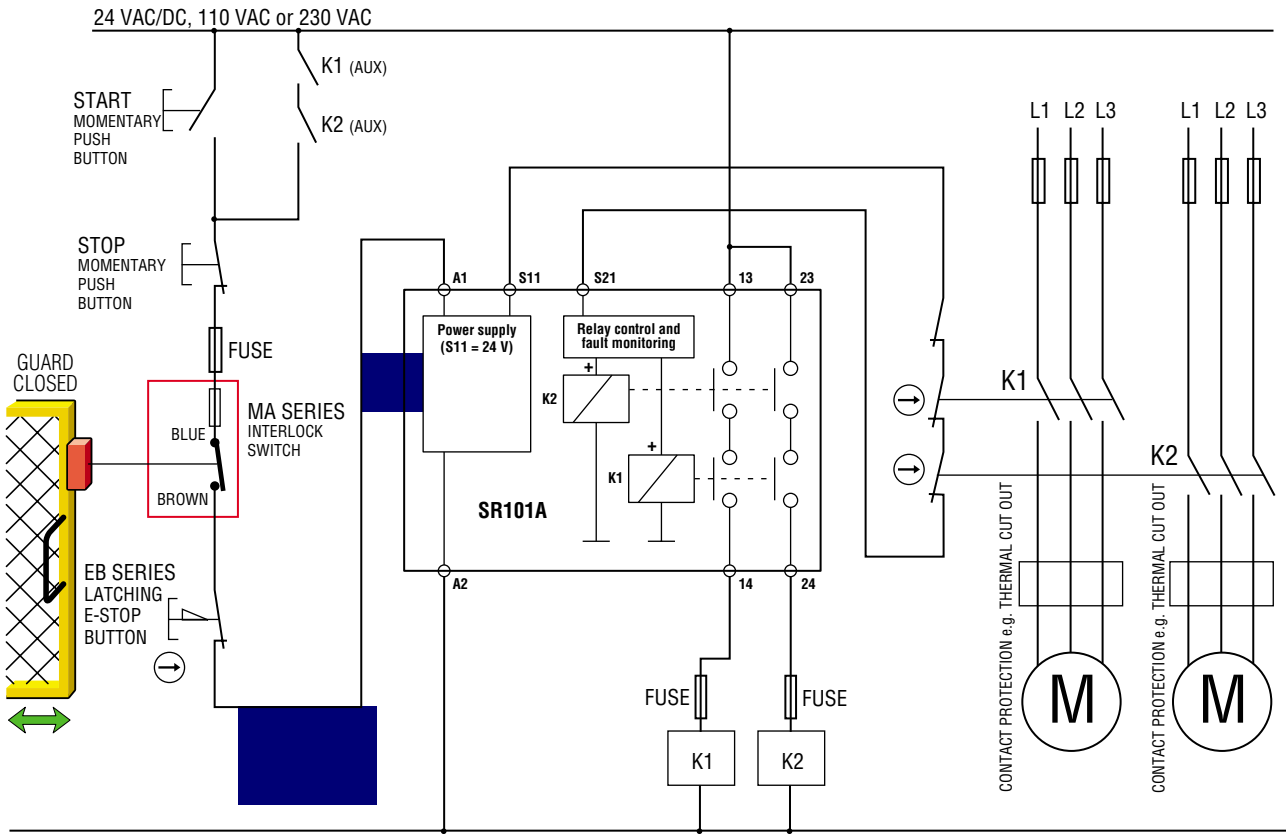
UK Tel. +44 (0) 1395-273-209
Europe Tel. +49 (0) 5258-938-776

Japan Tel. +81-466-22-1132
China Tel. +86-21-5836-7708
Singapore Tel. +65-648-44-001



For the Latest Information
On the Internet: www.sti.com
E-mail: sales@sti.com

■ Application



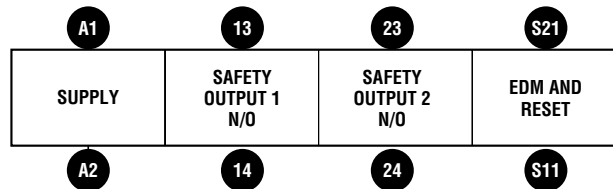
H
safety monitoring relays

For a full explanation of the circuit operating principle and fault detection, see "Common Circuit Examples" in the Engineering Section of this catalog.

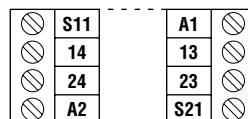
Output Contact Arrangements



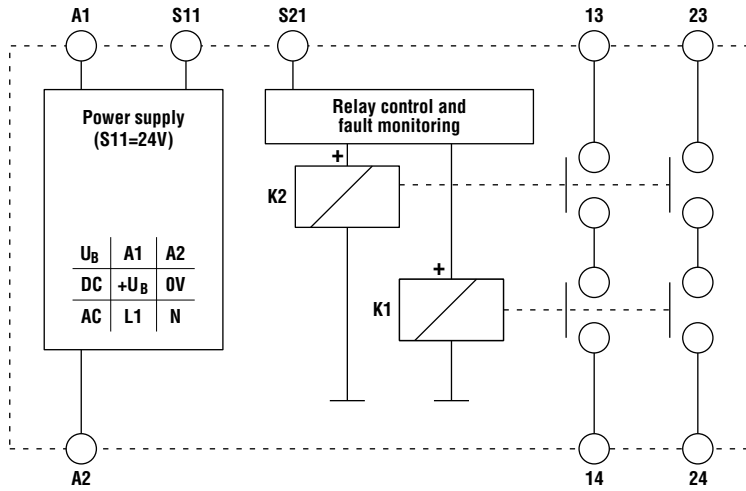
Terminal Connections



Terminal Pin Assignments



■ Block Diagram

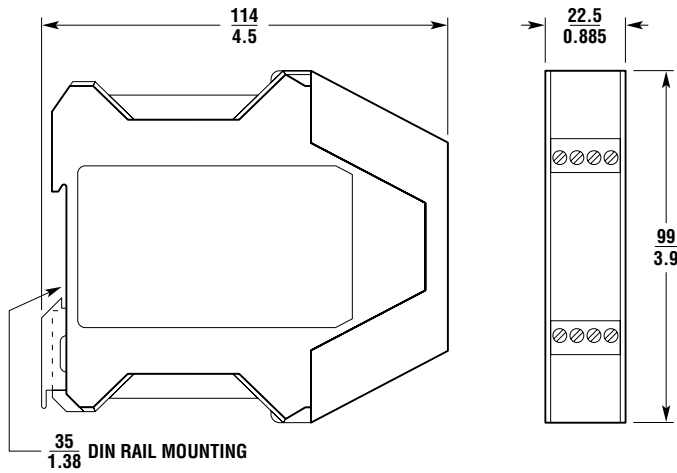


H

safety monitoring relays

■ Dimensions — mm/in.

SR101A



A Go to the Engineering Guide
For in-depth information on safety standards and use.

■ Specifications

Electrical	All Models	SR101A01	SR101A02	SR101A03
Power Supply:	±10%, 50-60 Hz	24 VAC/DC	115 VAC	230 VAC
Power Consumption:	Approx. 1 VA			
Safety Inputs:	1 N/C (not monitored)			
Outputs:	2 N/O			
Output Rating AC:	Inductive AC-15, 4 A/230 V			
Output Rating DC:	Inductive DC-13, 2 A/24 V			
Min Switched Current/Voltage:	20 mA/24 V			
Impulse Withstand Voltage:	2500 V			
Max Drop-Out Time:	75 ms			
Max Output Fuse:	6 A quick-acting fuse or 4 A slow-acting			
Reset Mode:	Automatic (S11-S21)			
Contactor Monitoring:	N/C loop S11-S21			
Mechanical				
Mounting:	35 mm (1.38 in.) DIN rail			
Case Material:	Fiber-filled Polyamide PA6.6			
Max Wire Size:	1 x 2.5 mm (14 AWG) stranded			
Weight:	230 g (8.1 oz.)			
Color:	Red			
External Switches:	None			
Indication:	Green = K1 Closed, Green = K2 Closed			
Mechanical Life:	1 x 10 ⁷ operations			
Environmental				
Enclosure Protection:	IP20 terminals, IP40 (NEMA 1) housing			
Operating Temperature:	24 VAC/DC: -15 to 60°C (5 to 140°F) 115/230 VAC: -15 to 40°C (-5 to 104°F)			
Humidity:	93% RH at 104°C (219°F)			
Compliance				
Standards:	EN 60204-1: 1998, EN 954-1: 1996, VDE 0113 Part 1: 1998-11			
Approvals/Listings:	CE marked for all applicable directives, BG, UL and C-UL			
Safety Category:	Cat. 3 per EN954-1 (SR101 internal operation)			

Specifications are subject to change without notice.

Note: The safety contacts of the STI switches are described as normally closed (N/C)—i.e., with the guard closed, actuator in place, and the machine able to be started.

■ Ordering

Model	Supply	Inputs	Outputs	Part No.
SR101A01	24 VAC/DC	1 N/C	2 N/O	44510-1011
SR101A02	115 VAC	1 N/C	2 N/O	44510-1012
SR101A03	230 VAC*	1 N/C	2 N/O	44510-1013

*230 VAC units are available on special order. Minimum quantities may apply.