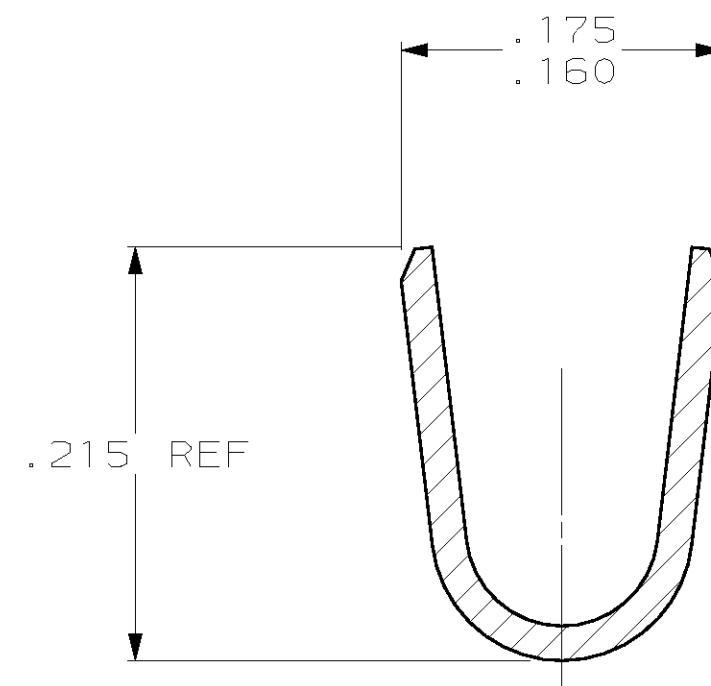
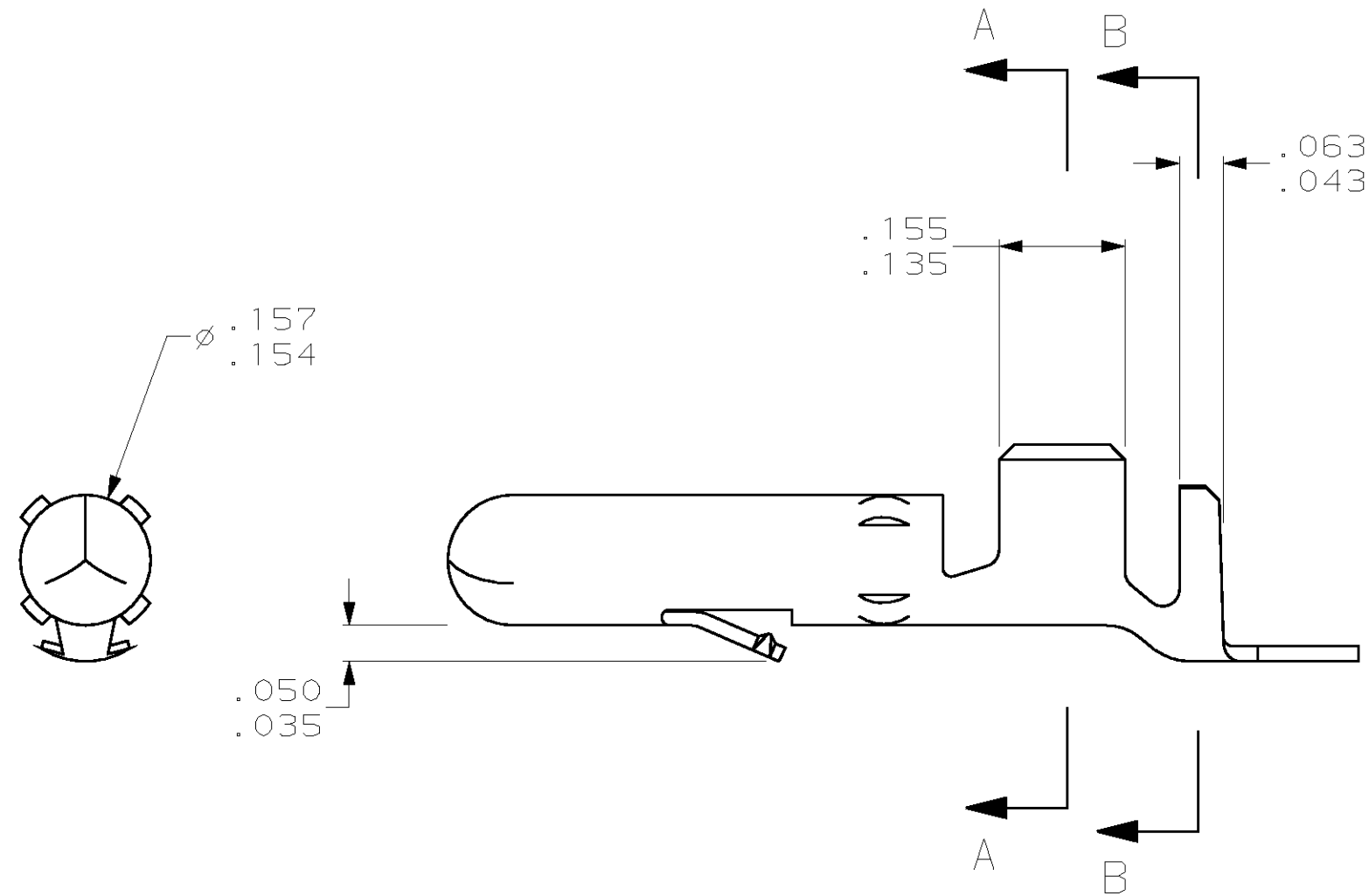
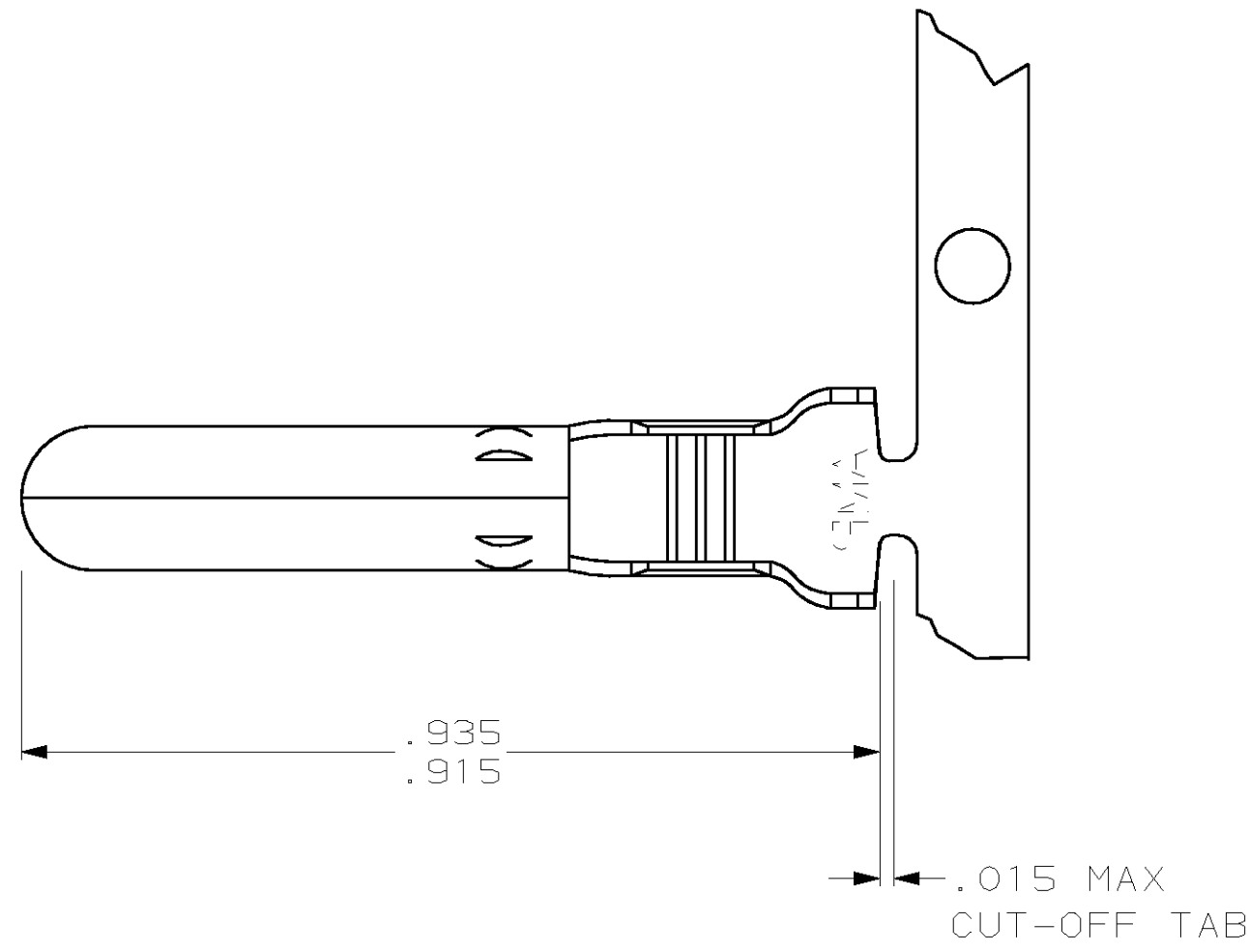


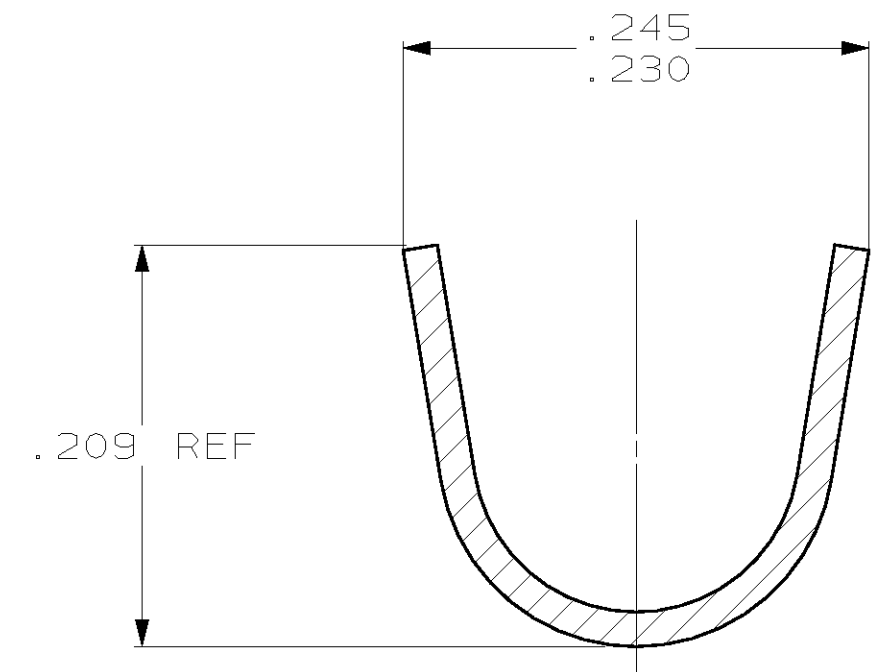
THIS DRAWING IS UNPUBLISHED. RELEASED FOR PUBLICATION .19
 (C) COPYRIGHT 19 BY AMP INCORPORATED. ALL RIGHTS RESERVED.

LOC	DIST	REVISIONS					
		P	LTR	DESCRIPTION	DATE	DWN	APVD
CM	53		K	REV PER EC 061B-0063-99	27-APR-99	JH	RS

1. WIRE RANGE: 12-10 (3-6mm²) AWG
 INSULATION RANGE: .185 MAX.



SECTION A-A
SCALE 10:1



SECTION B-B
SCALE 10:1

IN	MM	IN	MM	IN	MM	IN	MM
.050	1.27	.157	3.99	.230	5.84		
.043	1.09	.156	3.96	.215	5.46		
.035	0.89	.155	3.94	.209	5.31		
.018	0.46	.154	3.91	.185	4.70	.935	23.75
.015	0.38	.135	3.43	.175	4.45	.915	23.24
.005	0.13	.063	1.60	.160	4.06	.245	6.22
IN	MM	IN	MM	IN	MM	IN	MM

CONVERSION TABLE

METRIC

TIN	.018 BRASS	61234-1
FINISH	MATERIAL	PART NO

THIS DRAWING IS A CONTROLLED DOCUMENT.		DWN	J. HUFFMAN	9-13-96	AMP Incorporated Harrisburg, PA 17105-3608
DIMENSIONS: INCHES		CHK	R. SWING	9-13-96	
TOLERANCES UNLESS OTHERWISE SPECIFIED:		APVD	C. MARTIN	9-13-96	
0 PLC ±- 1 PLC ±- 2 PLC ±- 3 PLC ±.005 4 PLC ±- ANGLES ±-		NAME			
MATERIAL SEE TABLE		FINISH SEE TABLE		PIN, .156 MATE-N-LOK™	
SCALE 5:1		SHEET 1 OF 1		REV K	