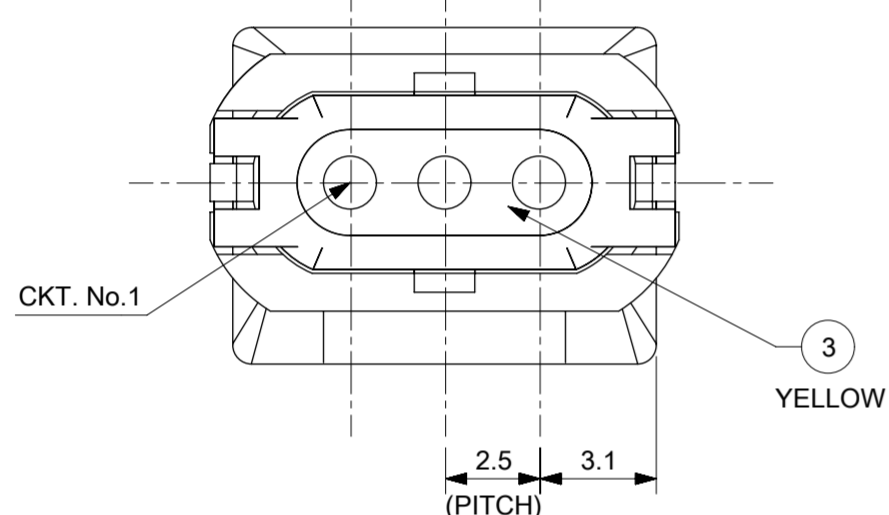
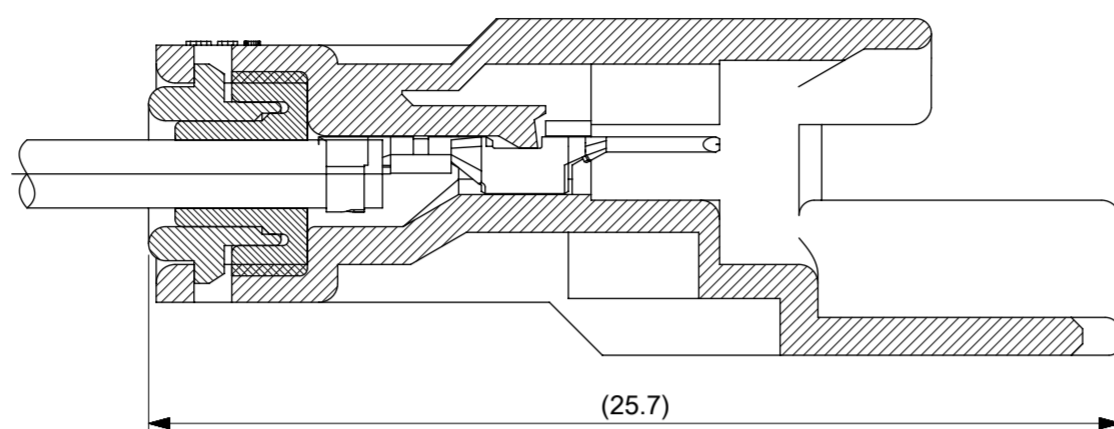


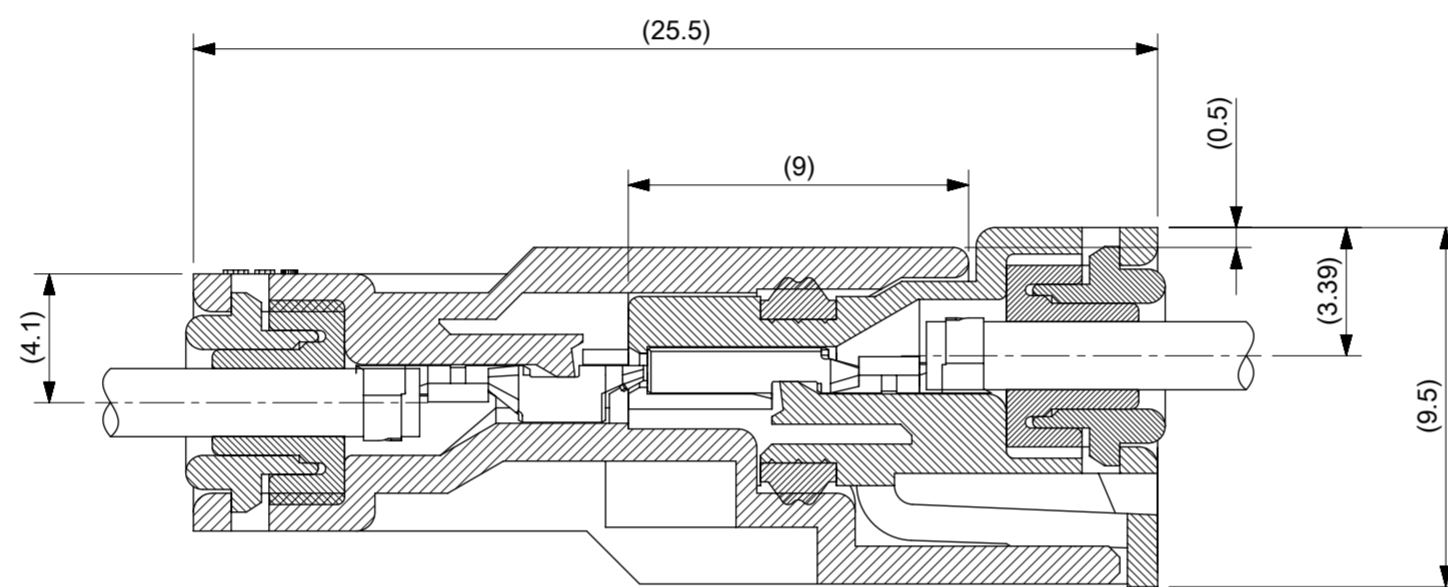
52116-024*



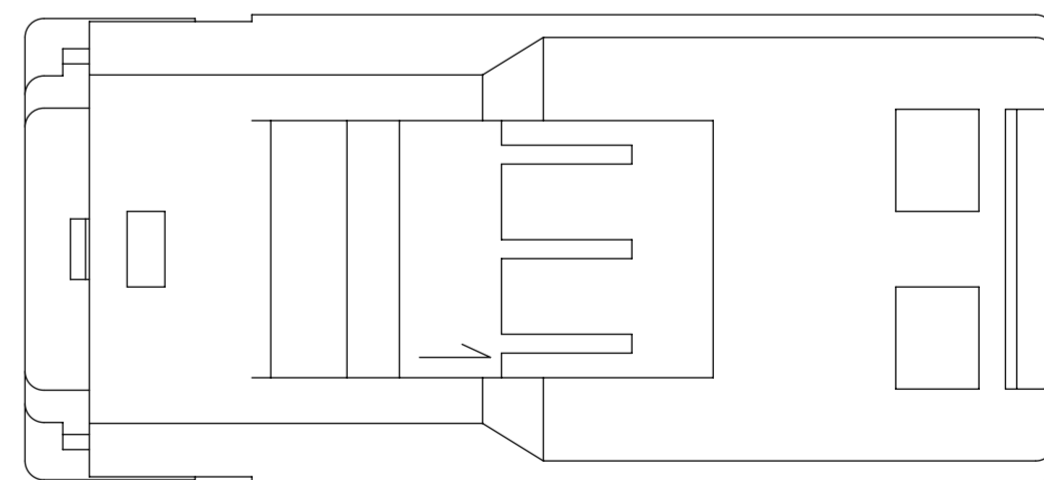
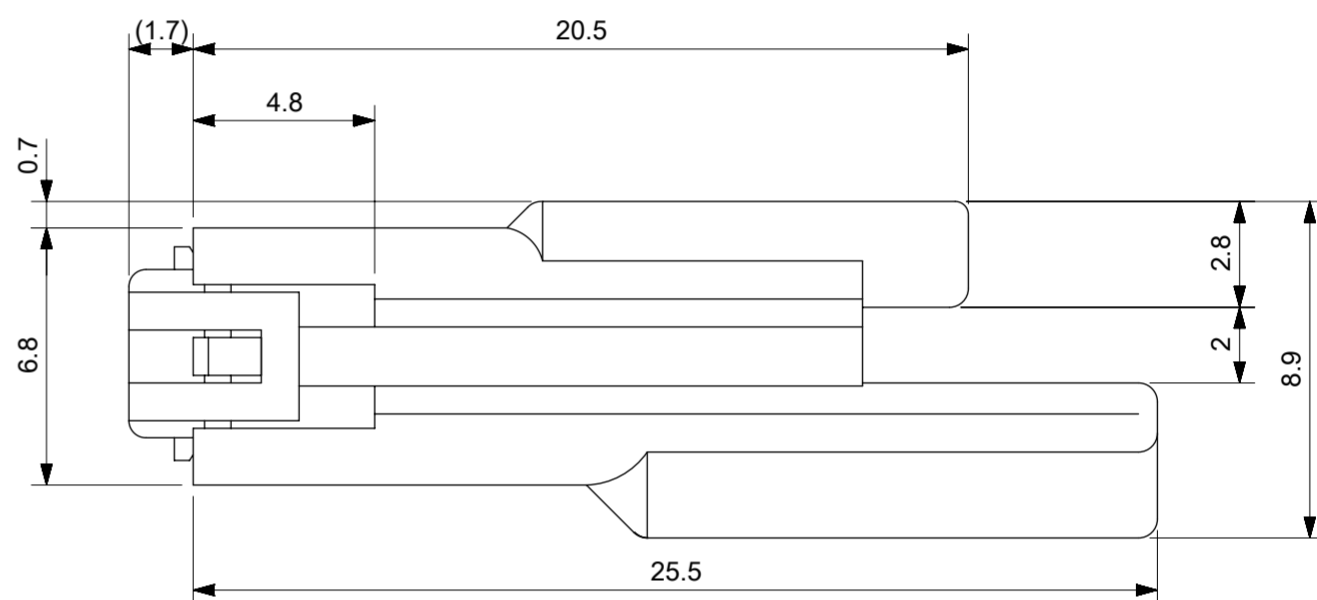
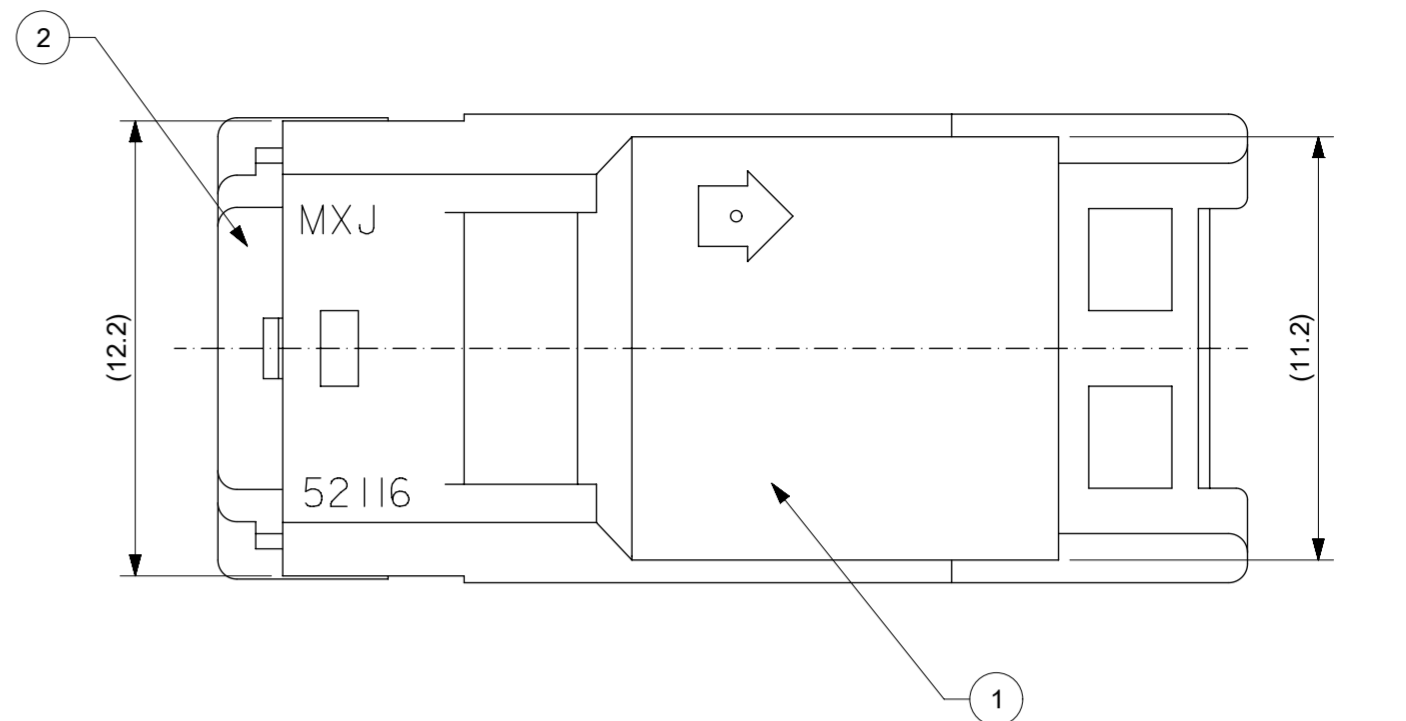
52116-034*



断面A-A (端子装着状態)
SECTION A-A (TEAM.ASSEMBLY DRAWING)



嵌合状態図
FULLY MATED CONDITION



- 注記
NOTE
- 適合端子: 50038-8*00
APPLICABLE TERMINAL:50038-8*00
 - 嵌合相手: 52117-0*4*
MATES WITH:52117-0*4*
 - 製品仕様書: PS-52117-007
PRODUCT SPECIFICATION: PS-52117-007
 - 取扱説明書: AS-52117-001
APPLICATION SPECIFICATION: AS-52117-001
 - ELV及びRoHS適合品
ELV AND RoHS COMPLIANT

THIS DRAWING CONTAINS INFORMATION THAT IS PROPRIETARY TO MOLEX ELECTRONIC TECHNOLOGIES, LLC AND SHOULD NOT BE USED WITHOUT WRITTEN PERMISSION

DIMENSION UNITS	SCALE	CURRENT REV DESC:	
mm	5:1		
GENERAL TOLERANCES (UNLESS SPECIFIED)		EC NO: 174474	
10 UNDER	±0.2	DRWN: RHORI	2018/04/02
10 OVER 30 UNDER	±0.25	CHK'D: HKOMATSU	2018/04/13
30 OVER	±0.3	APPR: TOSADA	2018/04/20
ANGULAR	±3 °	INITIAL REVISION:	
		DRWN: SINAOKA	2011/02/16
		APPR: MAYAMAMOTO	2012/01/18
DRAFT WHERE APPLICABLE MUST REMAIN WITHIN DIMENSIONS		THIRD ANGLE PROJECTION	DRAWING
		A2-SIZE	SERIES
		SEE CHART	52116
		MATERIAL NUMBER	CUSTOMER
		SD-52116-001	GENERAL MARKET
		DOC TYPE	DOC PART
		PSD	001
		REVISION	D3
		SHEET NUMBER	1 OF 1

GENERAL TOLERANCES (UNLESS SPECIFIED)		赤 RED	黒 BLACK	白 WHITE	極数
10 UNDER	±0.2	52116-0342	52116-0341	52116-0340	3
10 OVER 30 UNDER	±0.25	52116-0243	52116-0242	52116-0241	2
30 OVER	±0.3	52116-0240	52116-0240	52116-0240	2
INITIAL REVISION:		色 COLOR	MATERIAL NO.	極数	CKT
DRWN	Y.ASHIZAWA 1988/07/08				
CHECK	M.SAKANO 1988/07/08				
APPR	M.ENOMOTO 1988/07/08				

材料	色	名称
シリコンゴム SILICONE	図参照 SEE DRAWING	ワイヤーエンドシール WIRE END SEAL ③
ポリエステル(15%G.F.) POLYESTER	表参照 SEE CHART	CAP ②
ポリエステル(15%G.F.) POLYESTER	表参照 SEE CHART	プラグハウジング PLUG HOUSING ①
構成部品 COMPONENTS		
DOCUMENT STATUS	P1	RELEASE DATE
		2018/04/20 09:04:05