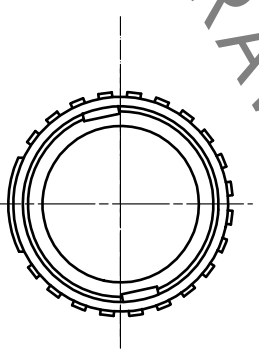
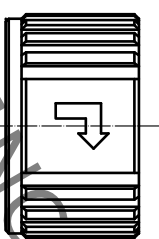
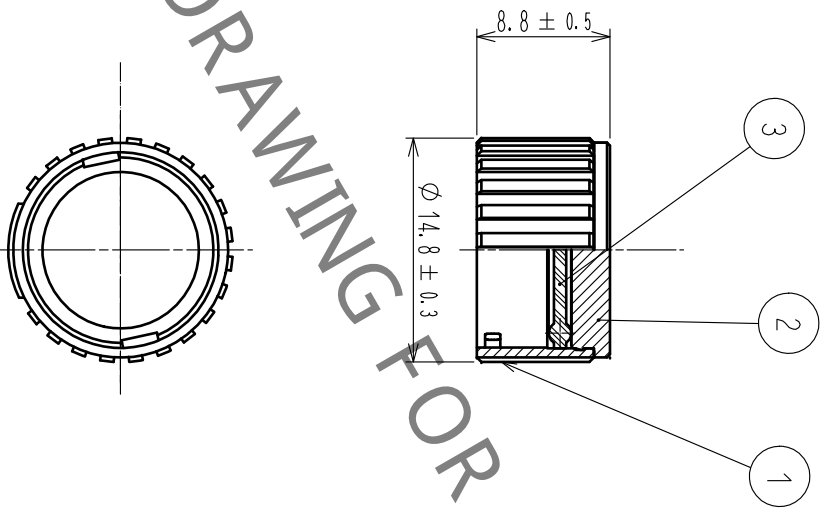


A



NOTES
 1 ROTATION EXAMPLES OF HRS MARK ARE SHOWN.
 2 THIS PRODUCT IS A CAP FOR LF10WBR※-※(※).
 IT IS APPLICABLE REGARDLESS OF GIVEN ALPHABETS OR NUMBERS SHOWN AT ※.

HRS DRAWING FOR REFERENCE

2	BRASS	NICKEL PLATING					
1	ZINC ALLOY	NICKEL PLATING	3	ACRYLONITRILE BUTADIENE RUBBER (GRAY)			
NO.	MATERIAL	FINISH . REMARKS	NO.	MATERIAL	FINISH . REMARKS		
UNITS	SCALE	COUNT	DESCRIPTION OF REVISIONS	DESIGNED	CHECKED	DATE	
mm	2 : 1						

APPROVED : HY. KOBAYASHI	18.02.22	DRAWING NO.	EDC-115795-31-00
CHECKED : HY. KOBAYASHI	18.02.22	PART NO.	LF10WBR-C(31)
DESIGNED : TY. SUZUKI	18.02.22	CODE NO.	CL136-3001-8-31
DRAWN : HM. SAITO	18.02.20		

