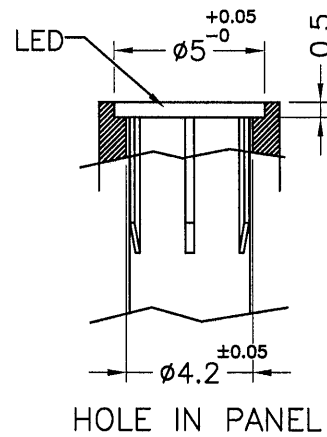
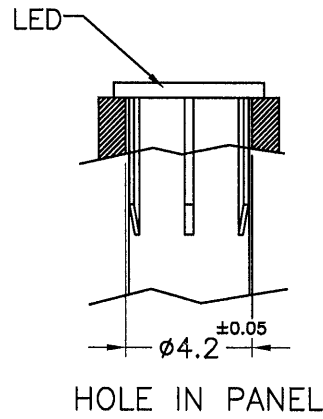
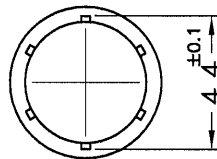
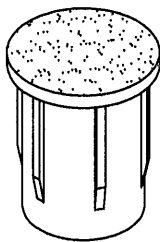
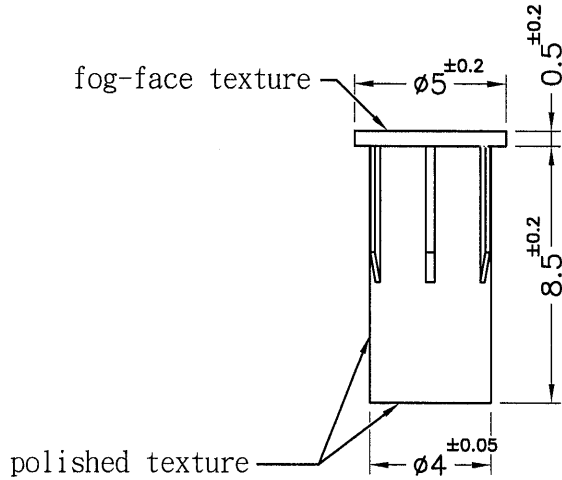




REVISIONS			
REV	DESCRIPTION	DATE	BY



NOTE:MADE OF EQUIVALENT MATERIAL.
可使用同等材質

 <p>康揚企業股份有限公司 KANG YANG HARDWARE ENTERPRISE CO., LTD. 康揚塑膠(東莞)有限公司 KANG YANG PLASTIC(DONG GUAN) CO.,LTD. 康哲電腦配件(吳江)有限公司 KANG CHE COMPUTER COMPONENTS(WUJIANG) CO.,LTD.</p>		TITLE	LED LIGHT PIPE	SPEC. DWG.	
		MATERIAL	PC UL94V-2	DATE	2010.09.20
		FINISH		DRAWN	SAI
		COLOR	TRANSPARENT	CHECK	
PART NUMBER	LEM-97S	DRAWING NUMBER	LEM-97S	UNLESS OTHERWISE SPECIFIED TOLERANCE	SEE ABOVE
SIZE	A4	SCALE	4:1	UNIT	mm
		REV	A	APPROVED	