

Basic terminal block - UM122-2FLK14/PI-ES/4/OUT/S7 - 2835642

Please be informed that the data shown in this PDF Document is generated from our Online Catalog. Please find the complete data in the user's documentation. Our General Terms of Use for Downloads are valid (<http://phoenixcontact.com/download>)



Analog out motherboard for S7-300, to hold PI-C-UI-UI-AO, mounting on NS 32, or NS 35/7.5.



Key commercial data

| | |
|--------------------------------------|-----------|
| Packing unit | 1 pc |
| Weight per Piece (excluding packing) | 240.3 GRM |
| Custom tariff number | 85389091 |
| Country of origin | Germany |

Technical data

Dimensions

| | |
|--------|----------|
| Width | 58.6 mm |
| Height | 127.5 mm |
| Depth | 82.6 mm |

Ambient conditions

| | |
|-----------------------------------------|------------------|
| Ambient temperature (operation) | -20 °C ... 60 °C |
| Ambient temperature (storage/transport) | -40 °C ... 75 °C |

General

| | |
|-----------------------------------------|-----------------------------------------------|
| Nom. voltage | 20 V DC ... 35 V DC |
| Nominal current I_N | 60 mA (max. current consumption) |
| Housing insulation material | Polyamide PA non-reinforced, polycarbonate PC |
| Inflammability class according to UL 94 | V0 |
| Color | green |
| Conformance | CE-compliant |

Basic terminal block - UM122-2FLK14/PI-ES/4/OUT/S7 - 2835642

Technical data

Connection data

| | |
|----------------------------------------|-----------------------------------------------|
| Connection 1 | To the control system level |
| Connection method | Flat-ribbon cable connectors, FLK16 pin strip |
| Conductor cross section stranded min. | 0.2 mm ² |
| Conductor cross section stranded max. | 2.5 mm ² |
| Conductor cross section solid min. | 0.2 mm ² |
| Conductor cross section solid max. | 4 mm ² |
| Conductor cross section AWG/kcmil min. | 24 |
| Conductor cross section AWG/kcmil max | 12 |
| Connection 2 | To the field level |
| Connection method | Screw connection |
| Conductor cross section stranded min. | 0.2 m ² |
| Conductor cross section stranded max. | 2.5 mm ² |
| Conductor cross section solid min. | 0.2 m ² |
| Conductor cross section solid max. | 4 mm ² |
| Conductor cross section AWG/kcmil min. | 24 |
| Conductor cross section AWG/kcmil max | 12 |
| Screw thread | M3 |
| Stripping length | 8 mm |
| Tightening torque, min | 0.5 Nm |
| Tightening torque max | 0.6 Nm |

Classifications

eCl@ss

| | |
|------------|----------|
| eCl@ss 4.0 | 27141127 |
| eCl@ss 4.1 | 27141127 |
| eCl@ss 5.0 | 27371603 |
| eCl@ss 5.1 | 27371603 |
| eCl@ss 6.0 | 27371603 |
| eCl@ss 7.0 | 27371603 |
| eCl@ss 8.0 | 27371603 |

ETIM

| | |
|----------|----------|
| ETIM 2.0 | EC000764 |
| ETIM 3.0 | EC001456 |
| ETIM 4.0 | EC001456 |
| ETIM 5.0 | EC001456 |

Basic terminal block - UM122-2FLK14/PI-ES/4/OUT/S7 - 2835642

Classifications

UNSPSC

| | |
|---------------|----------|
| UNSPSC 6.01 | 30211811 |
| UNSPSC 7.0901 | 39121410 |
| UNSPSC 11 | 39121410 |
| UNSPSC 12.01 | 39121410 |
| UNSPSC 13.2 | 39121410 |

Approvals

Approvals

Approvals

GOST

Ex Approvals

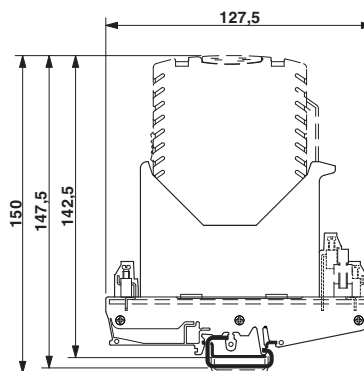
Approvals submitted

Approval details



Drawings

Dimensioned drawing



Basic terminal block - UM122-2FLK14/PI-ES/4/OUT/S7 - 2835642

Dimensioned drawing

