

1-1971776-4 ✓ ACTIVE



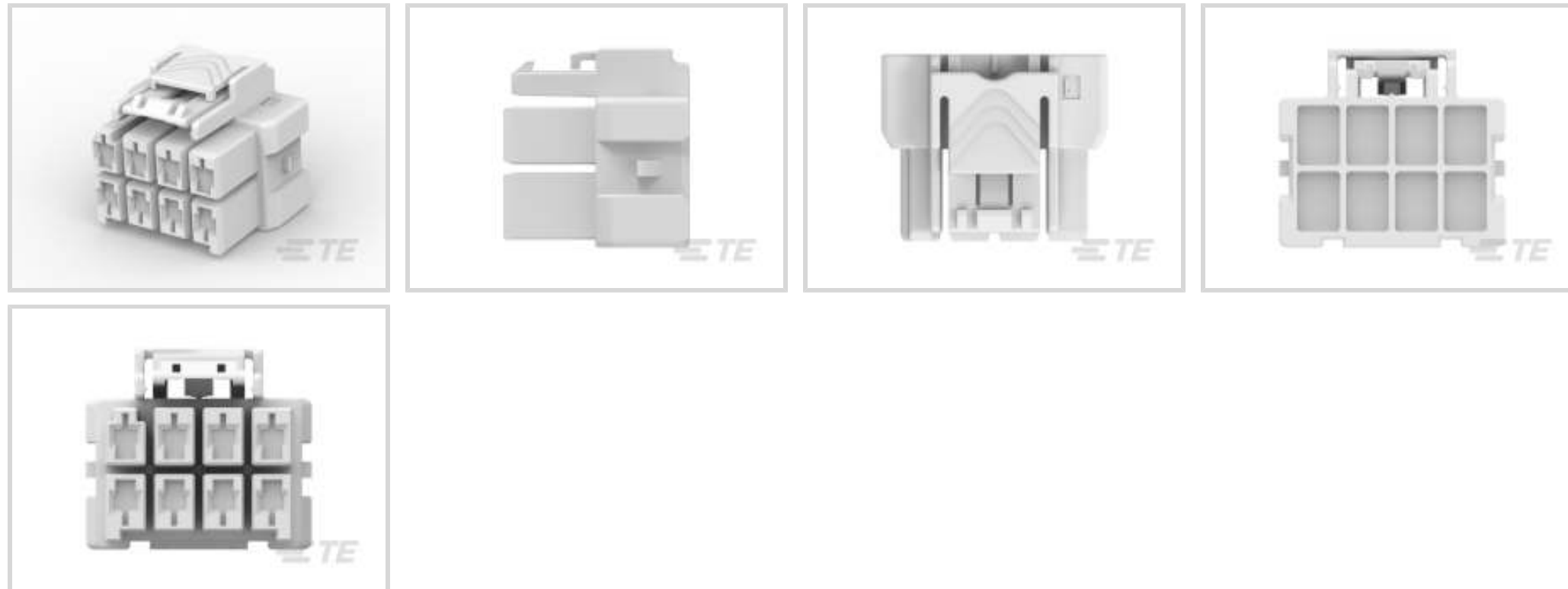
Power Triple Lock

TE Internal #: 1-1971776-4

Rectangular Power Connectors, Housing, Plug, Wire-to-Wire, 8 Position, 6 mm [.236 in] Centerline, Wire & Cable, UL 94V-0, Power Triple Lock

[View on TE.com >](#)

Connectors > Power Connectors > Rectangular Power > Rectangular Power Connectors > POWER TRIPLE LOCK Plug, Standard Temperature



Rectangular Power Connector Type: **Housing**

Connector & Housing Type: **Plug**

Connector System: **Wire-to-Wire**

Number of Positions: **8**

Centerline (Pitch): **6 mm [.236 in]**

[All POWER TRIPLE LOCK Plug, Standard Temperature \(48\)](#)

Features

Product Type Features

Rectangular Power Connector Type	Housing
Connector & Housing Type	Plug
Connector System	Wire-to-Wire
Sealable	No
Connector & Contact Terminates To	Wire & Cable

Configuration Features

Number of Positions	8
Number of Power Positions	8
Number of Rows	2

Electrical Characteristics

Operating Voltage	600 VDC
-------------------	---------

Body Features



Cable Exit Angle	180°
------------------	------

Connector & Keying Code	A
-------------------------	---

Contact Features

Contact Layout	Matrix
----------------	--------

Contact Retention Within Housing	Without
----------------------------------	---------

Contact Type	Receptacle
--------------	------------

Termination Features

Termination Method to Wire & Cable	Crimp
------------------------------------	-------

Mechanical Attachment

Panel Mount Feature	Without
---------------------	---------

Connector Mounting Type	Cable Mount (Free-Hanging)
-------------------------	----------------------------

Housing Features

Centerline (Pitch)	6 mm [.236 in]
--------------------	----------------

Housing Color	Natural
---------------	---------

Housing Material	PBT GF
------------------	--------

Dimensions

Row-to-Row Spacing	8.1 mm [.319 in]
--------------------	------------------

Usage Conditions

Operating Temperature Range	-55 – 105 °C [-67 – 221 °F]
-----------------------------	-----------------------------

Operation/Application

Circuit Application	Power
---------------------	-------

Identification Marking

Circuit Identification Feature	With
--------------------------------	------

Industry Standards

UL Rating	Recognized
-----------	------------

Agency/Standard	UL
-----------------	----

Approved Standards	UL E28476
--------------------	-----------

UL Flammability Rating	UL 94V-0
------------------------	----------

Glow Wire Rating	Standard Part - Not Glow Wire
------------------	-------------------------------

Packaging Features

Packaging Method	Carton
------------------	--------

Product Compliance

For compliance documentation, visit the product page on [TE.com](https://www.te.com)>

EU RoHS Directive 2011/65/EU	Compliant
EU ELV Directive 2000/53/EC	Compliant
China RoHS 2 Directive MIIT Order No 32, 2016	No Restricted Materials Above Threshold
EU REACH Regulation (EC) No. 1907/2006	Current ECHA Candidate List: JUNE 2023 (235) Candidate List Declared Against: JAN 2023 (233) Does not contain REACH SVHC
Halogen Content	Not Low Halogen - contains Br or Cl > 900 ppm.
Solder Process Capability	Not reviewed for solder process capability

Product Compliance Disclaimer

This information is provided based on reasonable inquiry of our suppliers and represents our current actual knowledge based on the information they provided. This information is subject to change. The part numbers that TE has identified as EU RoHS compliant have a maximum concentration of 0.1% by weight in homogenous materials for lead, hexavalent chromium, mercury, PBB, PBDE, DBP, BBP, DEHP, DIBP, and 0.01% for cadmium, or qualify for an exemption to these limits as defined in the Annexes of Directive 2011/65/EU (RoHS2). Finished electrical and electronic equipment products will be CE marked as required by Directive 2011/65/EU. Components may not be CE marked. Additionally, the part numbers that TE has identified as EU ELV compliant have a maximum concentration of 0.1% by weight in homogenous materials for lead, hexavalent chromium, and mercury, and 0.01% for cadmium, or qualify for an exemption to these limits as defined in the Annexes of Directive 2000/53/EC (ELV). Regarding the REACH Regulation, the information TE provides on SVHC in articles for this part number is based on the latest European Chemicals Agency (ECHA) 'Guidance on requirements for substances in articles' posted at this URL: <https://echa.europa.eu/guidance-documents/guidance-on-reach>

Compatible Parts

 <p>TE Part # 5-2232266-4 PTL 2X4 PLUG HSG GLW WIRE KEY A DGR</p>	 <p>TE Part # CAT-P87074-R2435 Receptacle Contact — POWER TRIPLE LOCK</p>	 <p>TE Part # 1-1971775-4 PTL 2X4 CAP PANEL MT STD TEMP KEY A NAT</p>	 <p>TE Part # 1452426-1 EXTRACTION TOOL</p>
--	--	--	--



TE Part # 1971789-1
CPA

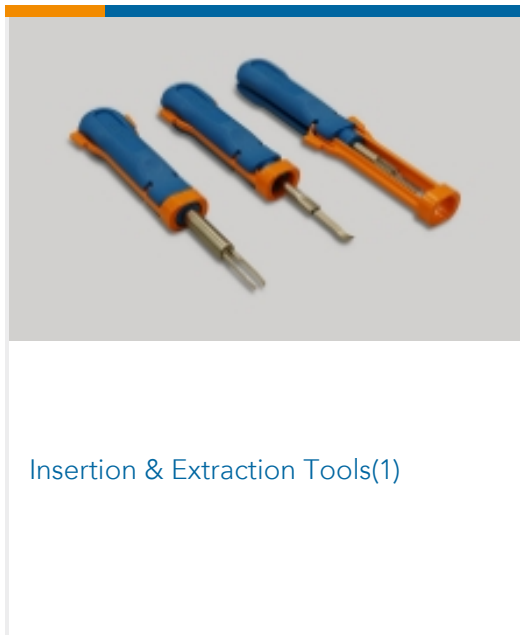


TE Part # 1971778-4
PTL TPA HIGH TEMP 2 x 4 BLACK

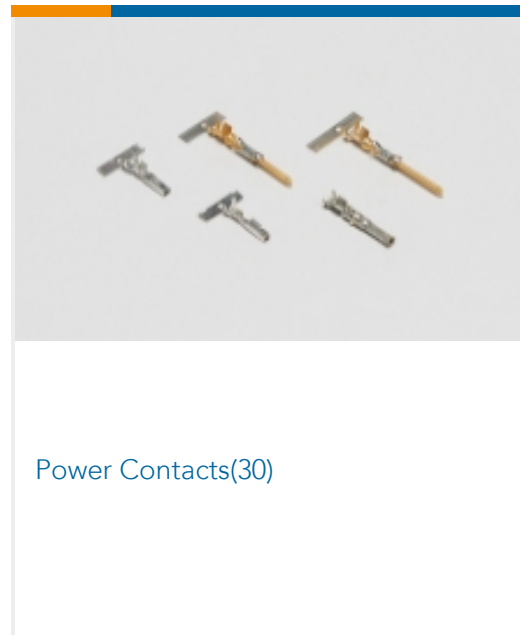


TE Part # 1-2232357-5
PTL 3X5 PLUG HSG HOT WIRE KEY A
BLK

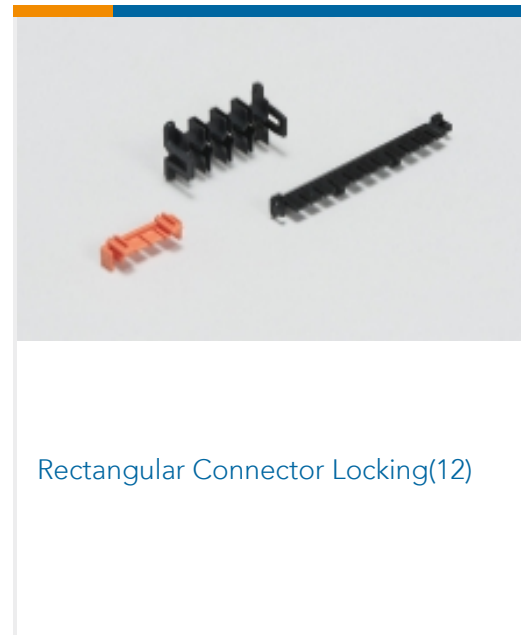
Also in the Series | Power Triple Lock



Insertion & Extraction Tools(1)



Power Contacts(30)



Rectangular Connector Locking(12)



Rectangular Power Connectors(300)

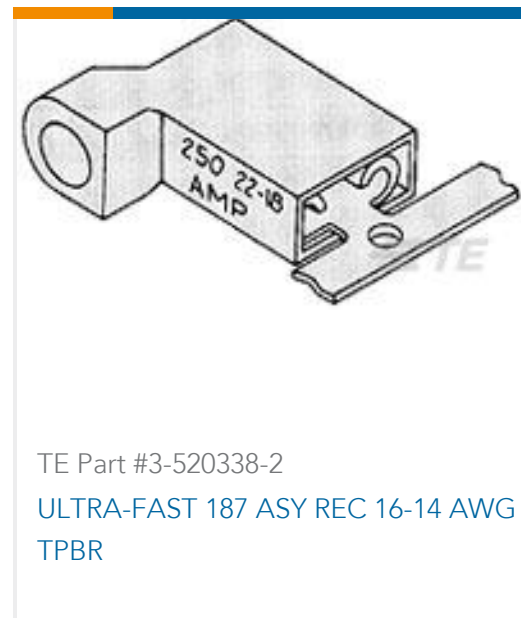
Customers Also Bought



TE Part #1-1971773-4
POWER TRIPLE LOCK Plug, Standard
Temperature



TE Part #1658614-1
37 POS HDF RCPT, AP, LEAD FREE



TE Part #3-520338-2
ULTRA-FAST 187 ASY REC 16-14 AWG
TPBR



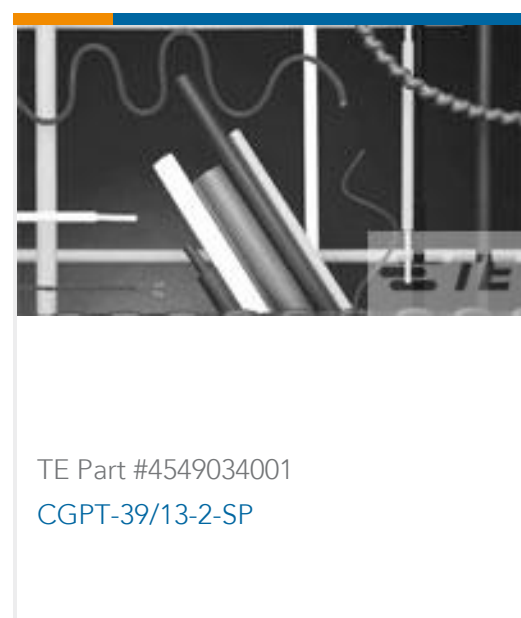
TE Part #2238173-3
250 FASTON,REC.,22-12 AWG,TPBR



TE Part #1971777-3
PTL TPA HIGH TEMP 1 x 3 BLACK



TE Part #1971784-1
PTL TAB CONTACT, 16-19 AWG, 2X22
AWG



TE Part #4549034001
CGPT-39/13-2-SP



TE Part #1-1604256-1
UMNL BULKHEAD CONN,4 POS



TE Part #EL88812001
VERSAFIT-3/4-0-STK



Documents

CAD Files

3D PDF

3D

Customer View Model

[ENG_CVM_CVM_1-1971776-4_E.2d_dxf.zip](#)

English

Customer View Model

[ENG_CVM_CVM_1-1971776-4_E.3d_igs.zip](#)

English

Customer View Model

[ENG_CVM_CVM_1-1971776-4_E.3d_stp.zip](#)

English

By downloading the CAD file I accept and agree to the [Terms and Conditions](#) of use.

Datasheets & Catalog Pages

[1-1773734-9 TE Power Triple Lock Quick Reference Guide - German](#)

German

[9-1773465-1 Power Triple Lock QRG](#)

English

Product Specifications

[Application Specification](#)

English

Product Environmental Compliance

[TE Material Declaration](#)

English