

THIS DRAWING IS UNPUBLISHED.

RELEASED FOR PUBLICATION JUN,2014 ,10 .

LOC J

DIST -

REVISIONS

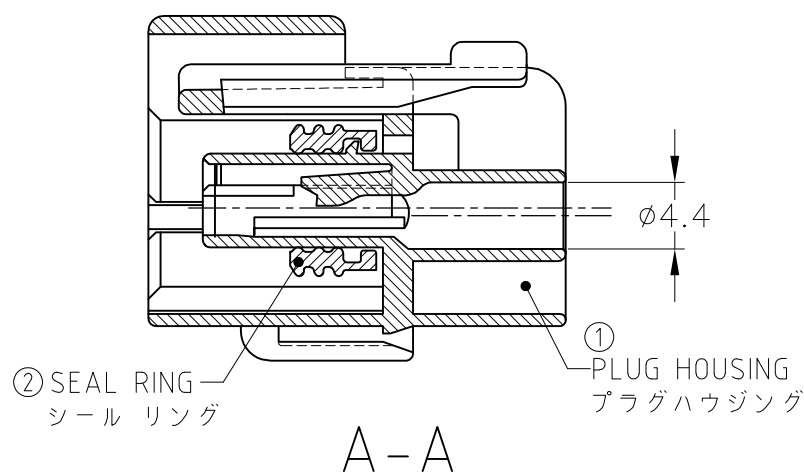
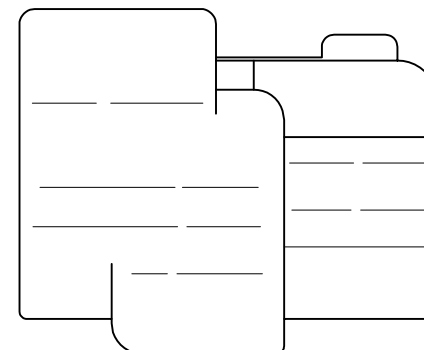
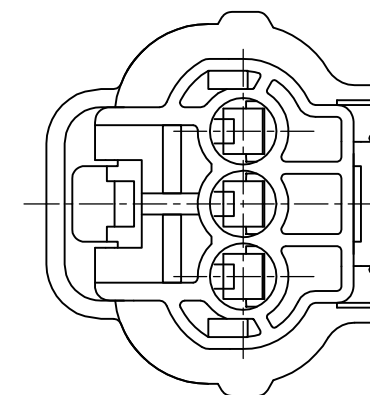
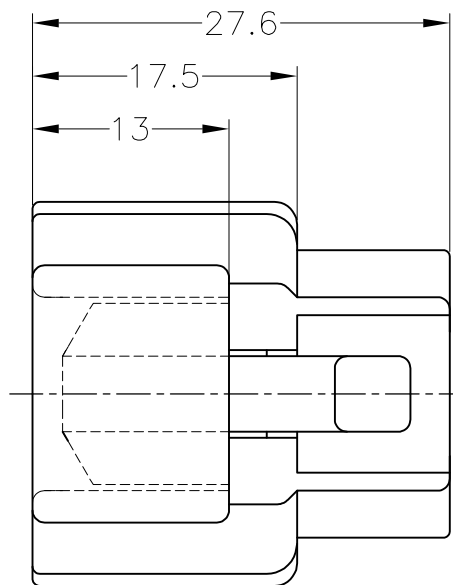
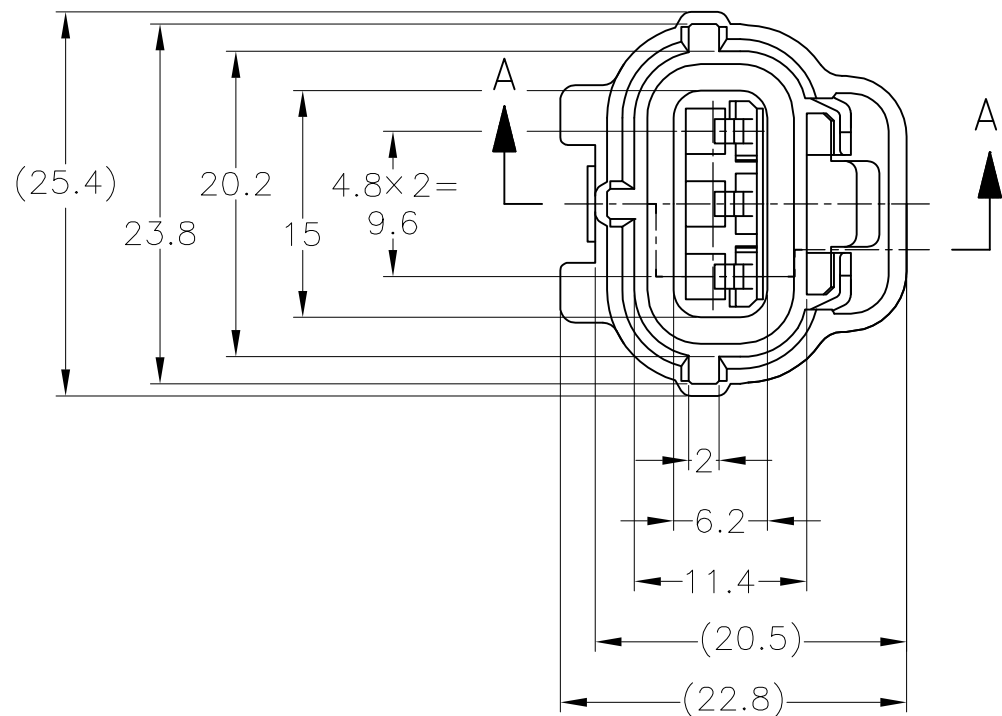
変更

© COPYRIGHT 2014 By Tyco Electronics Japan G.K.

ALL RIGHTS RESERVED.

P	LTR	DESCRIPTION	DATE	DWN	APVD
	A	RELEASED	06AUG14	DM	TK

TOLERANCE UNLESS OTHERWISE SPECIFIED:
 一般公差
 0 < x ≤ 10 : ±0.2
 10 < x ≤ 30 : ±0.25
 30 < x ≤ 100 : ±0.3
 ANGLE : ±3°
 角度



- 1. 嵌合相手型番：174359, 173065
- 2. 本品はプラグハウジング単体にシールリングがアセンブリされたものである。
- 3. 本品はダブルロックプレート型番 174358を装着して使用する。
- ④ シールリングはフタル酸フリー品である。

- 1. FOR CAP HOUSING PN 174359, 173065
- 2. THIS PART IS COMPOSED OF PLUG HOUSING AND SEAL RING
- 3. THIS PART MUST BE USED WITH DOUBLE LOCK PLATE PN 174358
- ④ SEAL RING IS NON-BIS TYPE

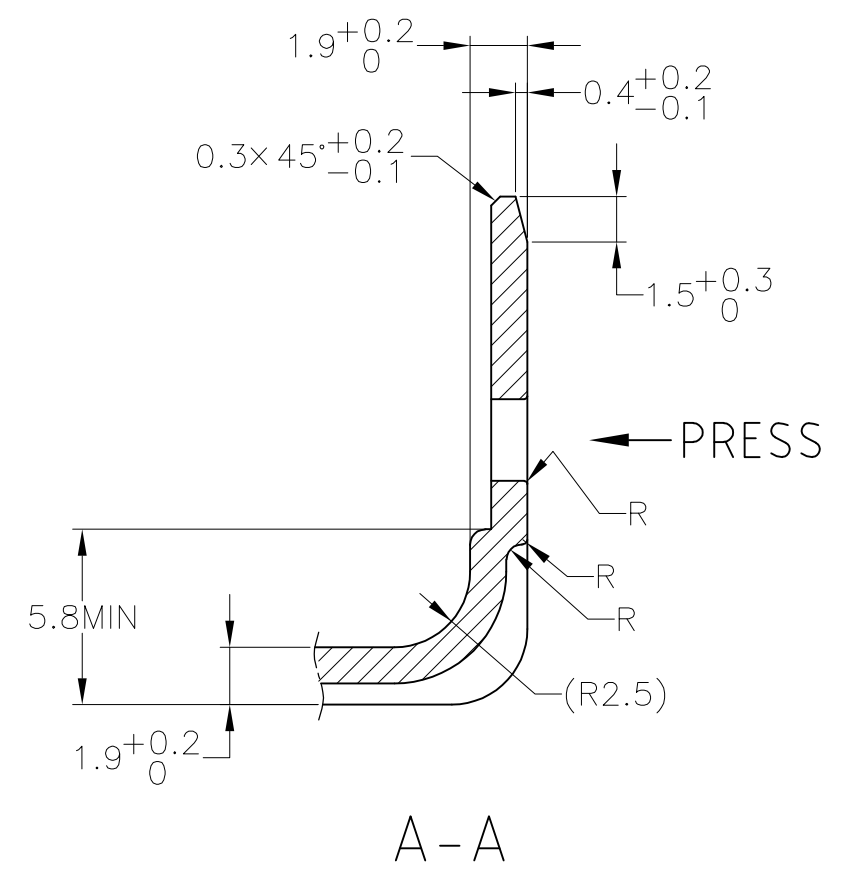
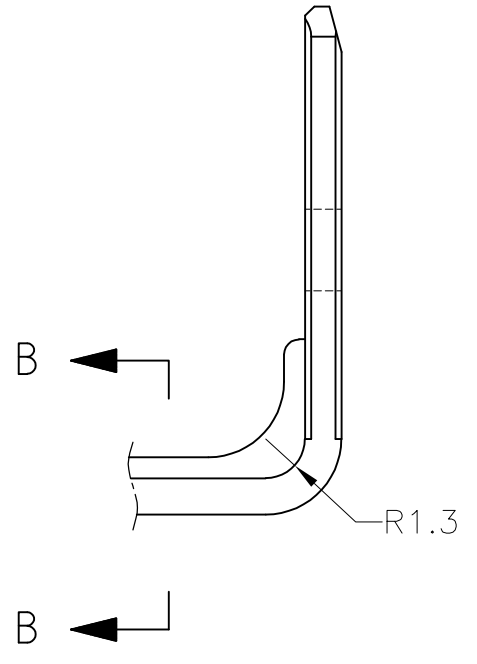
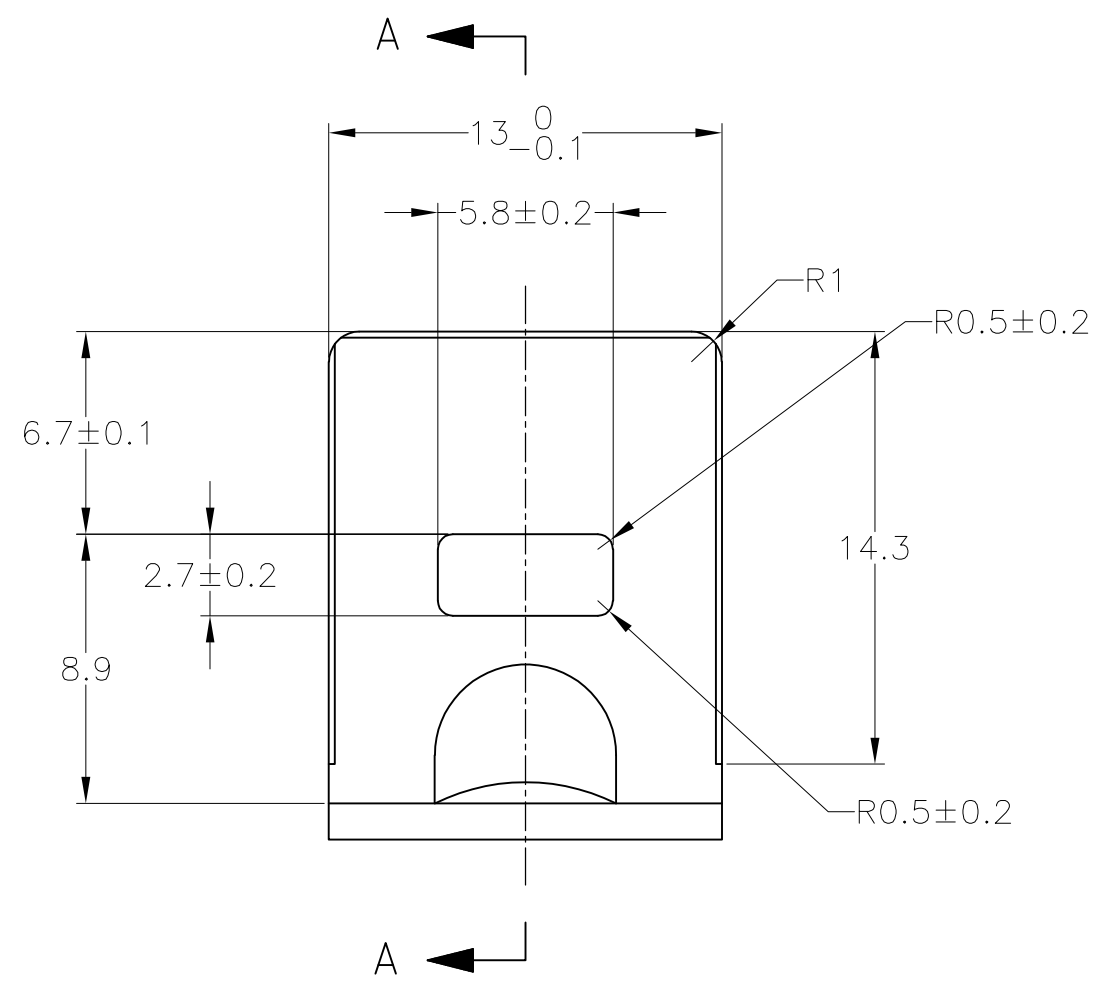
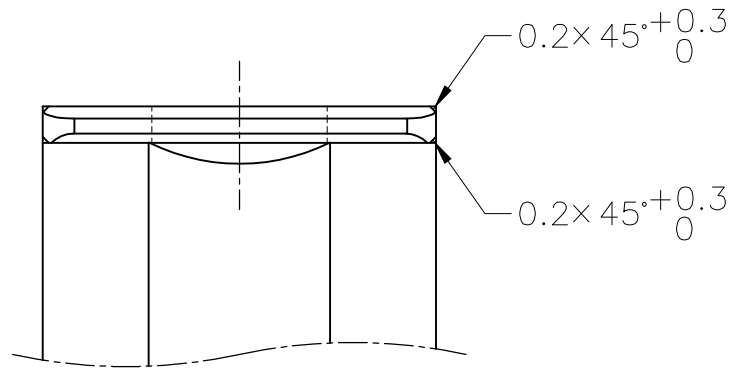
NBR④/BLACK	PBT/BLACK	2822350-1
② SEAL RING	① PLUG HOUSING	PART NUMBER
MATERIAL / COLOR		

THIS DRAWING IS A CONTROLLED DOCUMENT.		DWN D.MATSUURA 06AUG2014	STE TE Connectivity		
DIMENSIONS: 単位：mm 耗		CHK S.IWATANI 06AUG2014			
TOLERANCES UNLESS OTHERWISE SPECIFIED: 一般公差		APVD T.KOHNO 06AUG2014	NAME 3Pos. ECONOSEAL J-MARKII+ CONNECTOR PLUG HOUSING VERSION II		
0 PLC ± -		PRODUCT SPEC 製品規格 108-5262	SIZE A3		
1 PLC ± -		APPLICATION SPEC 取付適用規格 114-5082	CAGE CODE 00779	DRAWING NO 番号 C-2822350	RESTRICTED TO -
2 PLC ± -		MATERIAL 材料 SEE TABLE	WEIGHT 6.0g	SCALE 尺度 2:1	SHEET 1 OF 2
3 PLC ± -		FINISH 仕上 -	CUSTOMER DRAWING		
4 PLC ± -			REV A		
ANGLES ± -					

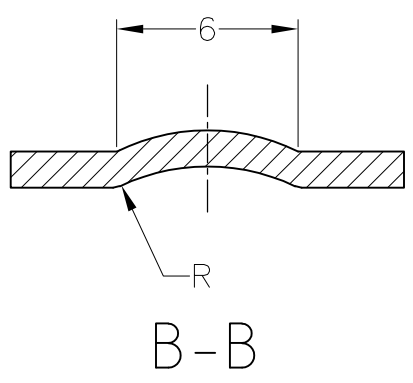
THIS DRAWING IS UNPUBLISHED. RELEASED FOR PUBLICATION JUN,2014 ,10 .
 © COPYRIGHT 2014 By Tyco Electronics Japan G.K. ALL RIGHTS RESERVED.

LOC	DIST	REVISIONS 変更					
J	—	P	LTR	DESCRIPTION	DATE	DWN	APVD
		—		SEE SHEET 1	—	—	—

ブラケット推奨寸法図
 RECOMMENDED DIMENSION OF BRACKET


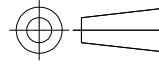


t = 1.2 ± 0.08



TOLERANCE UNLESS OTHERWISE SPECIFIED: 一般公差

0 < x ≤ 10	: ±0.2
10 < x ≤ 30	: ±0.25
30 < x ≤ 100	: ±0.3
ANGLE ; 角度	: ±3°

THIS DRAWING IS A CONTROLLED DOCUMENT.		DWN D.MATSUURA	06AUG2014	 TE Connectivity		NAME 3Pos. ECONOSEAL J-MARKII+ CONNECTOR PLUG HOUSING VERSION II									
DIMENSIONS: 単位: 耗 mm		CHK S.IWATANI	06AUG2014												
TOLERANCES UNLESS OTHERWISE SPECIFIED: 一般公差		APVD T.KOHNO	06AUG2014												
<table border="1"> <tr><td>0 PLC</td><td>± -</td></tr> <tr><td>1 PLC</td><td>± -</td></tr> <tr><td>2 PLC</td><td>± -</td></tr> <tr><td>3 PLC</td><td>± -</td></tr> <tr><td>4 PLC</td><td>± -</td></tr> <tr><td>ANGLES</td><td>± -</td></tr> </table>		0 PLC	± -					1 PLC	± -	2 PLC	± -	3 PLC	± -	4 PLC	± -
0 PLC	± -														
1 PLC	± -														
2 PLC	± -														
3 PLC	± -														
4 PLC	± -														
ANGLES	± -														
		APPLICATION SPEC 取付適用規格		SIZE	CAGE CODE	DRAWING NO 番号	RESTRICTED TO								
MATERIAL 材料		FINISH 仕上		A3 00779		G-2822350	—								
CUSTOMER DRAWING				SCALE 尺度	4:1	SHEET 2 OF 2	REV A								