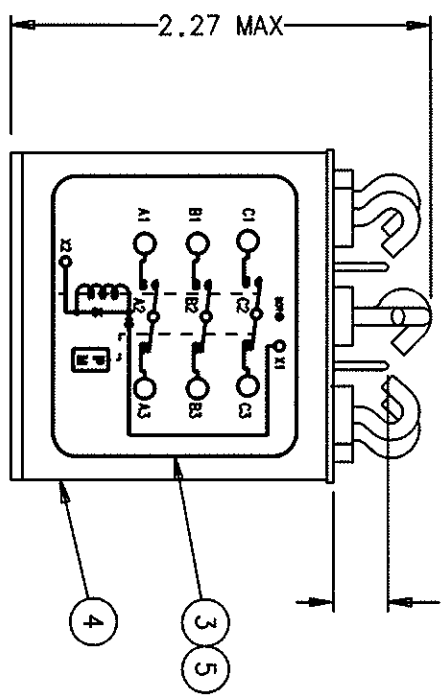
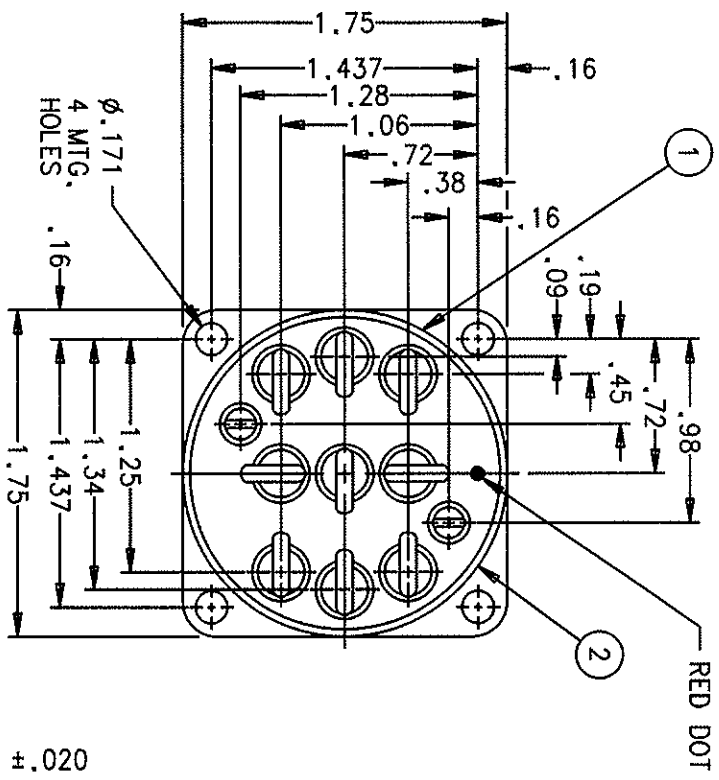


REV.	RELEASED	DATE	APPROVED
1		03/08/23	

REVISIONS

S/N	DESCRIPTION
K	0740-03 REDRAWN, ADDED ITEM 5



CONSTRUCTION  
NOMINAL VOLTAGE  
115 V, 400 HZ

CONTACT RATING  
RES.  
RES.  
IND.

COIL RATING  
PICKUP  
DROPOUT

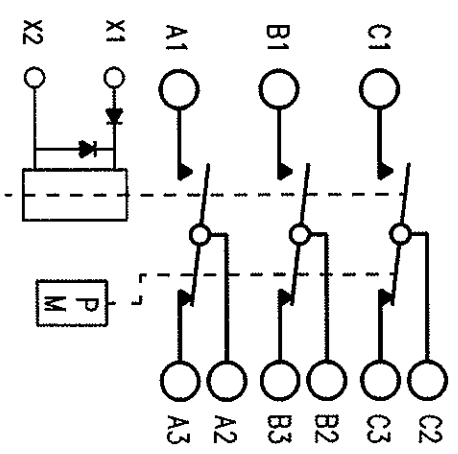
RATED DUTY  
VIBRATION  
MAX WEIGHT

HERMETICALLY SEALED  
115 V, 400 HZ

25 AMP AT 115 V, 400 HZ  
10 AMP AT 28 VDC  
15 AMP AT 115 V, 400HZ

115V, 400 HZ  
95 V MAX HOT  
25 ±15V HOT

CONTINUOUS  
MIL-E-5272 PROC 1  
7.5 OZ.



REV	QTY	PART OR IDENTIFYING NO	DESCRIPTION	NONCANTILEVER OR DESCRIPTION	FSM NO	DRAWING OR SPECIFICATION	MATERIAL OR NOTE
5	1	39529-001	OVERLAY - WIRING DIAGRAM				
4	1	20473-0501	CONTACTOR ASSEMBLY - PRIMARY				
3	1	19488-001	PLATE - WIRING DIAGRAM				
2	1	17959-001	PLATE - WARNING				
1	1	16043-001	PLATE - NAME				

UNLESS OTHERWISE SPECIFIED DIMENSIONS ARE IN INCHES TOLERANCES ARE	±.03	±.010	±1°
2 PL DEC.13 PL DEC. ANGLES			
MATERIAL			
DR BY	CSC	03/09/16	
CHK BY	TC	03/09/18	
ENGR	ES	03/09/18	
MFG	JH	03/09/18	
SIZE			
CODE IDENT			
SCALE	NONE	SHEET	

TYCO Electronics  
175 N. DIAMOND STREET, WMSFIELD, OHIO 44822

CONTACTOR - 3PDT  
HERMETICALLY SEALED 093

DWG NO. DHR-14B

REF TYCO P/N 1-1616037-2