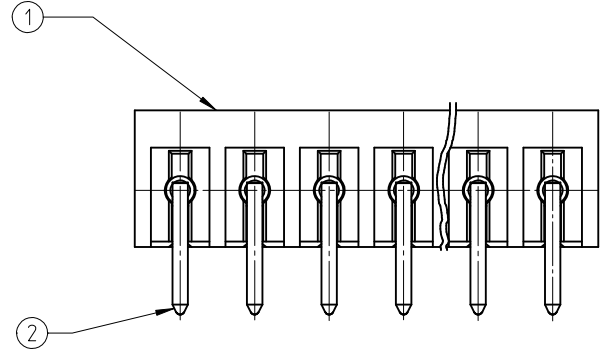
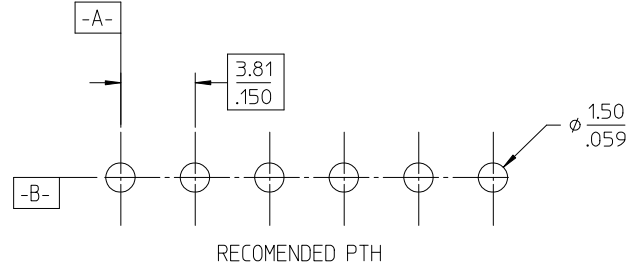
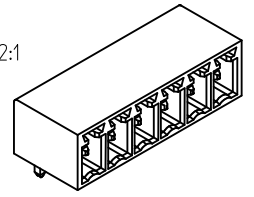


SCALE 2:1



NOTES:

1. MATERIAL: SEE TABLE
2. FINISHES: SEE TABLE
3. SEE DWG SD-38120-003 FOR PRINTING OPTIONS
4. FLASH NOT TO EXCEED .003" THICK AND/OR .015" LONG UNLESS OTHERWISE SPECIFIED
5. "XX" REFERS TO NUMBER OF CIRCUITS
6. ROHS COMPLIANT

|      |      |                      |                 |           |
|------|------|----------------------|-----------------|-----------|
| 2    | "XX" | PIN HEADER           | BRASS           | SEE CHART |
| 1    | 1    | SR HEADER 3.81 CE M0 | POLYESTER (PBT) | SEE CHART |
| ITEM | QTY. | DESCRIPTION          | MATERIAL        | FINISH    |

UPDATE TOLERANCE  
 EC NO: WNA2010-0588  
 DRAWN: JENCINAS 2010/03/23  
 CHKD: CLYORK 2010/03/23  
 APPR: JMACNEIL 2010/03/30

QUALITY SYMBOLS  
  
 DESCRIPTION

GENERAL TOLERANCES (UNLESS SPECIFIED)

|               | mm     | INCH    |
|---------------|--------|---------|
| 4 PLACES      | ± .005 | ± .0005 |
| 3 PLACES      | ± .010 | ± .0010 |
| 2 PLACES      | ± 0.13 | ± .01   |
| 1 PLACE       | ± 0.3  | ± .01   |
| ANGULAR ± 2 ° |        |         |

DRAFT WHERE APPLICABLE  
 MUST REMAIN WITHIN DIMENSIONS

DIMENSION STYLE: MM/IN

|              |              |
|--------------|--------------|
| DRAWN BY     | DATE         |
| JENCINAS     | 2010/03/23   |
| CHECKED BY   | DATE         |
| CLYORK       | 2010/03/23   |
| APPROVED BY  | DATE         |
| JMACNEIL     | 2010/03/29   |
| MATERIAL NO. | DOCUMENT NO. |
| SEE CHART    | SD-39900-006 |

SCALE: 4:1

DESIGN UNITS: INCH

THIRD ANGLE PROJECTION

TITLE: HEADER, RA, CLOSED ENDS ASSY, 3.81/.150 CENTER

MOLEX INCORPORATED

SHEET NO. 1 OF 2

THIS DRAWING CONTAINS INFORMATION THAT IS PROPRIETARY TO MOLEX INCORPORATED AND SHOULD NOT BE USED WITHOUT WRITTEN PERMISSION

| No. OF<br>CIRCUITS | DIM "A"     |               | DIM "B" |       | MATERIAL NO. | MATERIAL NO. | MATERIAL NO.     |
|--------------------|-------------|---------------|---------|-------|--------------|--------------|------------------|
|                    | ±0.25<br>mm | ±.010<br>Inch | mm      | Inch  | TIN PLATED   | GOLD PLATED  | GREEN<br>BARRIER |
| 2                  | 8.48        | 0.334         | 3.81    | 0.150 | 399000702    | 399010702    | 399003702        |
| 3                  | 12.29       | 0.484         | 7.62    | 0.300 | 399000703    | 399010703    | 399003703        |
| 4                  | 16.10       | 0.634         | 11.43   | 0.450 | 399000704    | 399010704    | 399003704        |
| 5                  | 19.91       | 0.784         | 15.24   | 0.600 | 399000705    | 399010705    | 399003705        |
| 6                  | 23.72       | 0.934         | 19.05   | 0.750 | 399000706    | 399010706    | 399003706        |
| 7                  | 27.53       | 1.084         | 22.86   | 0.900 | 399000707    | 399010707    | 399003707        |
| 8                  | 31.34       | 1.234         | 26.67   | 1.050 | 399000708    | 399010708    | 399003708        |
| 9                  | 35.15       | 1.384         | 30.48   | 1.200 | 399000709    | 399010709    | 399003709        |
| 10                 | 38.96       | 1.534         | 34.29   | 1.350 | 399000710    | 399010710    | 399003710        |
| 11                 | 42.77       | 1.684         | 38.10   | 1.500 | 399000711    | 399010711    | 399003711        |
| 12                 | 46.58       | 1.834         | 41.91   | 1.650 | 399000712    | 399010712    | 399003712        |
| 13                 | 50.39       | 1.984         | 45.72   | 1.800 | 399000713    | 399010713    | 399003713        |
| 14                 | 54.20       | 2.134         | 49.53   | 1.950 | 399000714    | 399010714    | 399003714        |
| 15                 | 58.01       | 2.284         | 53.34   | 2.100 | 399000715    | 399010715    | 399003715        |
| 16                 | 61.82       | 2.434         | 57.15   | 2.250 | 399000716    | 399010716    | 399003716        |
| 17                 | 65.63       | 2.584         | 60.96   | 2.400 | 399000717    | 399010717    | 399003717        |
| 18                 | 69.44       | 2.734         | 64.77   | 2.550 | 399000718    | 399010718    | 399003718        |
| 19                 | 73.25       | 2.884         | 68.58   | 2.700 | 399000719    | 399010719    | 399003719        |
| 20                 | 77.06       | 3.034         | 72.39   | 2.850 | 399000720    | 399010720    | 399003720        |
| 21                 | 80.87       | 3.184         | 76.20   | 3.000 | 399000721    | 399010721    | 399003721        |

|  |                 |   |                 |  |   |   |                     |
|--|-----------------|---|-----------------|--|---|---|---------------------|
| SEE SHEET ONE<br>EC NO: WNA2010-0588<br>DRAWN: JENCINAS 2010/03/23<br>CHECKED: CLYORK 2010/03/23<br>APPR: JMACNEIL 2010/03/30<br>REV DESCRIPTION | QUALITY SYMBOLS | GENERAL TOLERANCES (UNLESS SPECIFIED)   | DIMENSION STYLE | SCALE  | DESIGN UNITS  | THIRD ANGLE PROJECTION  |                     |
|  | ▼=0<br>▽=0      | mm INCH<br>4 PLACES ± --- ± ---<br>3 PLACES ± --- ± .005<br>2 PLACES ± 0.13 ± .01<br>1 PLACE ± 0.3 ± ---<br>ANGULAR ± 2 ° | MM/IN           | 4:1  | INCH  | DRAWN BY DATE<br>JENCINAS 2010/03/23<br>CHECKED BY DATE<br>CLYORK 2010/03/23<br>APPROVED BY DATE<br>JMACNEIL 2010/03/29 |                     |
|  |                 | DRAFT WHERE APPLICABLE MUST REMAIN WITHIN DIMENSIONS  | SEE CHART       | TITLE<br>HEADER , RA, CLOSED ENDS ASSY, 3.81/.150 CENTER |   | MOLEX INCORPORATED<br>DOCUMENT NO. SD-39900-006   |                     |
|  |                 |   |                 | MATERIAL NO.<br>SIZE B                                   | THIS DRAWING CONTAINS INFORMATION THAT IS PROPRIETARY TO MOLEX INCORPORATED AND SHOULD NOT BE USED WITHOUT WRITTEN PERMISSION |   | SHEET NO.<br>2 OF 2 |