

Evaluation Board for the **ADuM3123** *i*Coupler, 4.0 A, Isolated Precision Gate Driver

FEATURES

- 4.0 A peak output current
- High frequency operation: 1 MHz maximum
- CMOS input logic levels
- 4.5 V to 18 V output drive
- Supports TO-263 or TO-252 IGBT/MOSFETs

REQUIRED DOCUMENTS

[ADuM3123 data sheet](#)

SUPPORTED *i*Coupler MODELS

[ADuM3123ARZ](#)
[ADuM3123BRZ](#)
[ADuM3123CRZ](#)

GENERAL DESCRIPTION

The [EVAL-ADuM3123EBZ](#) supports the [ADuM3123](#) isolated precision gate driver. Because the evaluation board has footprints for isolated gate bipolar transistors (IGBTs) and MOSFETs in TO-263 or TO-252 packages, respectively, the [ADuM3123](#) can be evaluated with many different power devices.

The [ADuM3123ARZ](#) model represents a superset of the [ADuM3123](#) models because it has the lowest minimum output voltage (4.4 V). The [ADuM3123BRZ](#) and [ADuM3123CRZ](#) models have minimum output voltages of 7.4 V and 11.1 V, respectively.

Complete information about the [ADuM3123](#) is available in the [ADuM3123](#) data sheet, which should be consulted in conjunction with this user guide when using the evaluation board.

ADUM3123 EVALUATION BOARD



Figure 1.

TABLE OF CONTENTS

| | | | |
|---|---|--|---|
| Features | 1 | Pad Layout for the Device Under Test..... | 3 |
| Required Documents | 1 | Power Connections | 3 |
| Supported <i>i</i> Coupler Models | 1 | Input/Output Connections | 3 |
| General Description | 1 | Evaluation Board Schematics and Artwork..... | 4 |
| ADuM3123 Evaluation Board..... | 1 | Ordering Information..... | 6 |
| Revision History | 2 | Bill of Materials..... | 6 |
| Setting Up the Evaluation Board | 3 | | |

REVISION HISTORY

2/16—Revision 0: Initial Version

SETTING UP THE EVALUATION BOARD

PAD LAYOUT FOR THE DEVICE UNDER TEST

Figure 4 shows the top layer layout for the evaluation board. The layout includes the following components:

- U1 is the footprint for the [ADuM3123](#).
- C2 and C5 are 1 μ F bypass capacitors; C1 is a 10 μ F bypass capacitor.
- Q1 can be populated with TO-263 MOSFETs or TO-252 IGBTs (that is, MOSFETs) or only one package (that is, a TO-263 MOSFET) with the footprint shown in Figure 2.
- Capacitor C3 is a 1206 pad available for load simulation capacitance. A typical value to test the evaluation board with is 2 nF.
- Resistors R1, R2, and R3 are 1206 pads provided for the user to place external series gate resistors to the load. A typical total resistance for the evaluation board is around 3 Ω .
- P2, a jumper pad, is available to aid in measuring peak current. A differential probe is recommended.

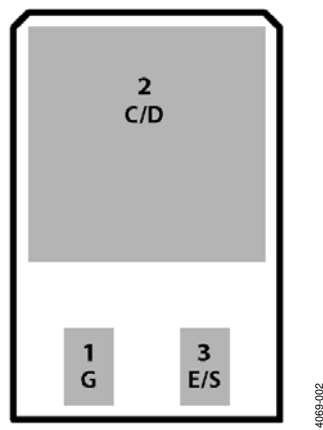


Figure 2. IGBT/MOSFET Footprint

POWER CONNECTIONS

To connect the evaluation board to a power supply, follow these steps:

- V_{DD1} to GND_1 must connect to a voltage source between 3.0 V and 5.5 V. A current limit setting of 25 mA is recommended, but a higher setting is also acceptable.
- V_{DD2} to GND_2 must connect to a voltage source between 4.5 V and 18 V. A current limit setting of 200 mA is recommended, but a higher setting is also acceptable. The current draw depends on the switching speed and load being driven.

GND_1 and GND_2 are isolated from each other. However, GND_1 and GND_2 can connect if the user desires. Ensure the power supplies connecting to each isolation region are floating but are not interacting with each other and can operate with the common mode introduced between the grounds (if there are any).

INPUT/OUTPUT CONNECTIONS

Resistor R4 is a 1206 pad that allows input termination if desired. Resistor R4 is unpopulated in the default state of the evaluation board, making VIA to GND_1 a high impedance input. In the default state, the evaluation board must be driven with a high impedance output with a square wave between 0 V and V_{DD1} with respect to GND_1 .

The source of Q1 is tied directly to GND_2 . The screw terminal marked GND_2 can easily access the source of the Q1 device if needed.

EVALUATION BOARD SCHEMATICS AND ARTWORK

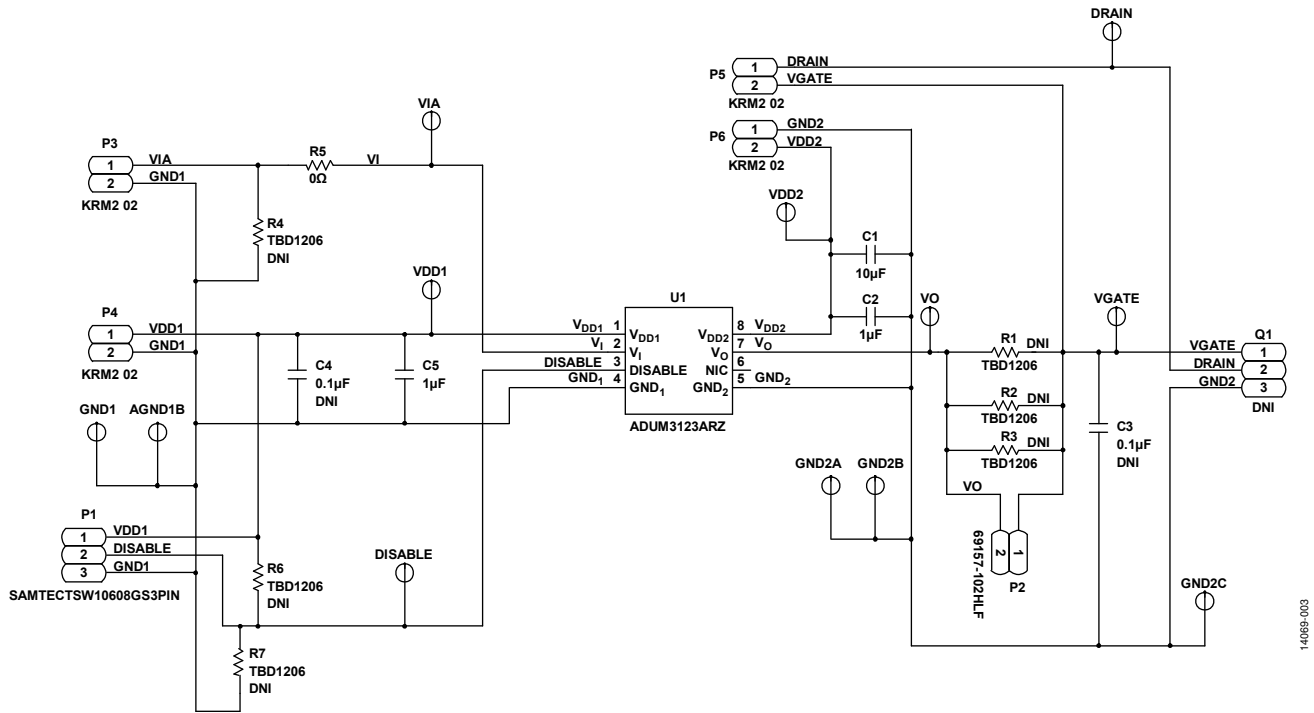


Figure 3. Evaluation Board Schematic

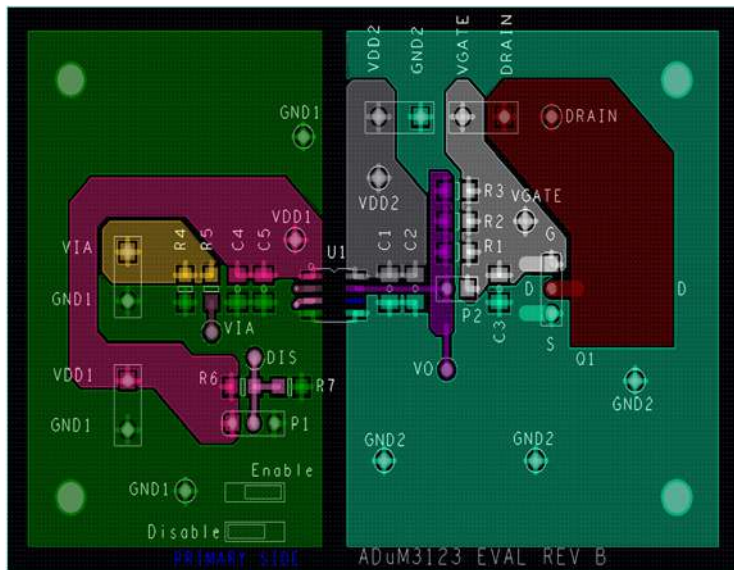


Figure 4. EVAL-ADuM3123EBZ Top Layer

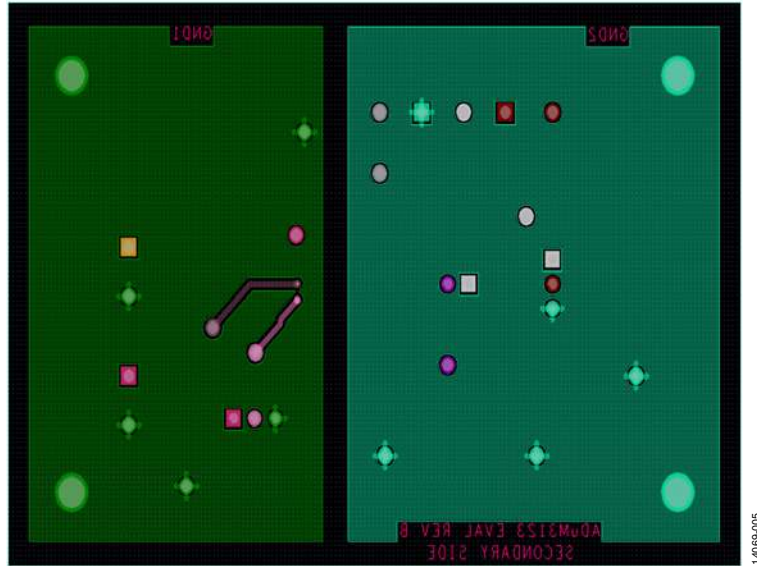


Figure 5. EVAL-ADuM3123EBZ Bottom Layer

ORDERING INFORMATION

BILL OF MATERIALS

Table 1.

| Quantity | Reference Designator | Description |
|----------|------------------------|--|
| 1 | U1 | ADuM3123ARZ IC |
| 1 | C1 | Capacitor, 10 μ F, 25 V, 10%, 1206 |
| 2 | C2, C5 | Capacitor, 1 μ F, 25 V, 10%, 1206 |
| 2 | C3, C4 | Capacitor, 1206, not installed |
| 6 | R1, R2, R3, R4, R6, R7 | Resistor, 1206, not installed |
| 1 | R5 | Resistor, 0 Ω , 1206 |



ESD Caution

ESD (electrostatic discharge) sensitive device. Charged devices and circuit boards can discharge without detection. Although this product features patented or proprietary protection circuitry, damage may occur on devices subjected to high energy ESD. Therefore, proper ESD precautions should be taken to avoid performance degradation or loss of functionality.

Legal Terms and Conditions

By using the evaluation board discussed herein (together with any tools, components documentation or support materials, the "Evaluation Board"), you are agreeing to be bound by the terms and conditions set forth below ("Agreement") unless you have purchased the Evaluation Board, in which case the Analog Devices Standard Terms and Conditions of Sale shall govern. Do not use the Evaluation Board until you have read and agreed to the Agreement. Your use of the Evaluation Board shall signify your acceptance of the Agreement. This Agreement is made by and between you ("Customer") and Analog Devices, Inc. ("ADI"), with its principal place of business at One Technology Way, Norwood, MA 02062, USA. Subject to the terms and conditions of the Agreement, ADI hereby grants to Customer a free, limited, personal, temporary, non-exclusive, non-sublicensable, non-transferable license to use the Evaluation Board FOR EVALUATION PURPOSES ONLY. Customer understands and agrees that the Evaluation Board is provided for the sole and exclusive purpose referenced above, and agrees not to use the Evaluation Board for any other purpose. Furthermore, the license granted is expressly made subject to the following additional limitations: Customer shall not (i) rent, lease, display, sell, transfer, assign, sublicense, or distribute the Evaluation Board; and (ii) permit any Third Party to access the Evaluation Board. As used herein, the term "Third Party" includes any entity other than ADI, Customer, their employees, affiliates and in-house consultants. The Evaluation Board is NOT sold to Customer; all rights not expressly granted herein, including ownership of the Evaluation Board, are reserved by ADI. CONFIDENTIALITY. This Agreement and the Evaluation Board shall all be considered the confidential and proprietary information of ADI. Customer may not disclose or transfer any portion of the Evaluation Board to any other party for any reason. Upon discontinuation of use of the Evaluation Board or termination of this Agreement, Customer agrees to promptly return the Evaluation Board to ADI. ADDITIONAL RESTRICTIONS. Customer may not disassemble, decompile or reverse engineer chips on the Evaluation Board. Customer shall inform ADI of any occurred damages or any modifications or alterations it makes to the Evaluation Board, including but not limited to soldering or any other activity that affects the material content of the Evaluation Board. Modifications to the Evaluation Board must comply with applicable law, including but not limited to the RoHS Directive. TERMINATION. ADI may terminate this Agreement at any time upon giving written notice to Customer. Customer agrees to return to ADI the Evaluation Board at that time. LIMITATION OF LIABILITY. THE EVALUATION BOARD PROVIDED HEREUNDER IS PROVIDED "AS IS" AND ADI MAKES NO WARRANTIES OR REPRESENTATIONS OF ANY KIND WITH RESPECT TO IT. ADI SPECIFICALLY DISCLAIMS ANY REPRESENTATIONS, ENDORSEMENTS, GUARANTEES, OR WARRANTIES, EXPRESS OR IMPLIED, RELATED TO THE EVALUATION BOARD INCLUDING, BUT NOT LIMITED TO, THE IMPLIED WARRANTY OF MERCHANTABILITY, TITLE, FITNESS FOR A PARTICULAR PURPOSE OR NONINFRINGEMENT OF INTELLECTUAL PROPERTY RIGHTS. IN NO EVENT WILL ADI AND ITS LICENSORS BE LIABLE FOR ANY INCIDENTAL, SPECIAL, INDIRECT, OR CONSEQUENTIAL DAMAGES RESULTING FROM CUSTOMER'S POSSESSION OR USE OF THE EVALUATION BOARD, INCLUDING BUT NOT LIMITED TO LOST PROFITS, DELAY COSTS, LABOR COSTS OR LOSS OF GOODWILL. ADI'S TOTAL LIABILITY FROM ANY AND ALL CAUSES SHALL BE LIMITED TO THE AMOUNT OF ONE HUNDRED US DOLLARS (\$100.00). EXPORT. Customer agrees that it will not directly or indirectly export the Evaluation Board to another country, and that it will comply with all applicable United States federal laws and regulations relating to exports. GOVERNING LAW. This Agreement shall be governed by and construed in accordance with the substantive laws of the Commonwealth of Massachusetts (excluding conflict of law rules). Any legal action regarding this Agreement will be heard in the state or federal courts having jurisdiction in Suffolk County, Massachusetts, and Customer hereby submits to the personal jurisdiction and venue of such courts. The United Nations Convention on Contracts for the International Sale of Goods shall not apply to this Agreement and is expressly disclaimed.