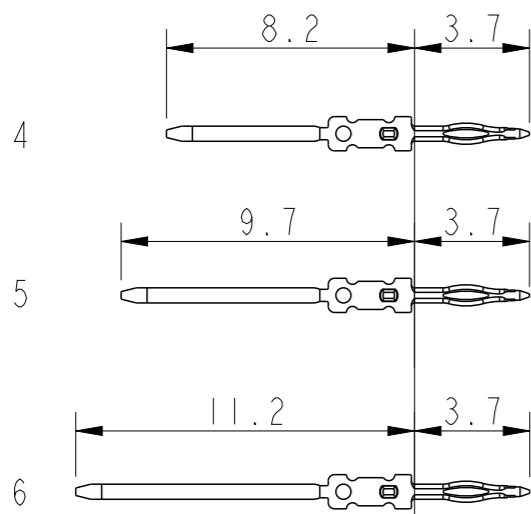
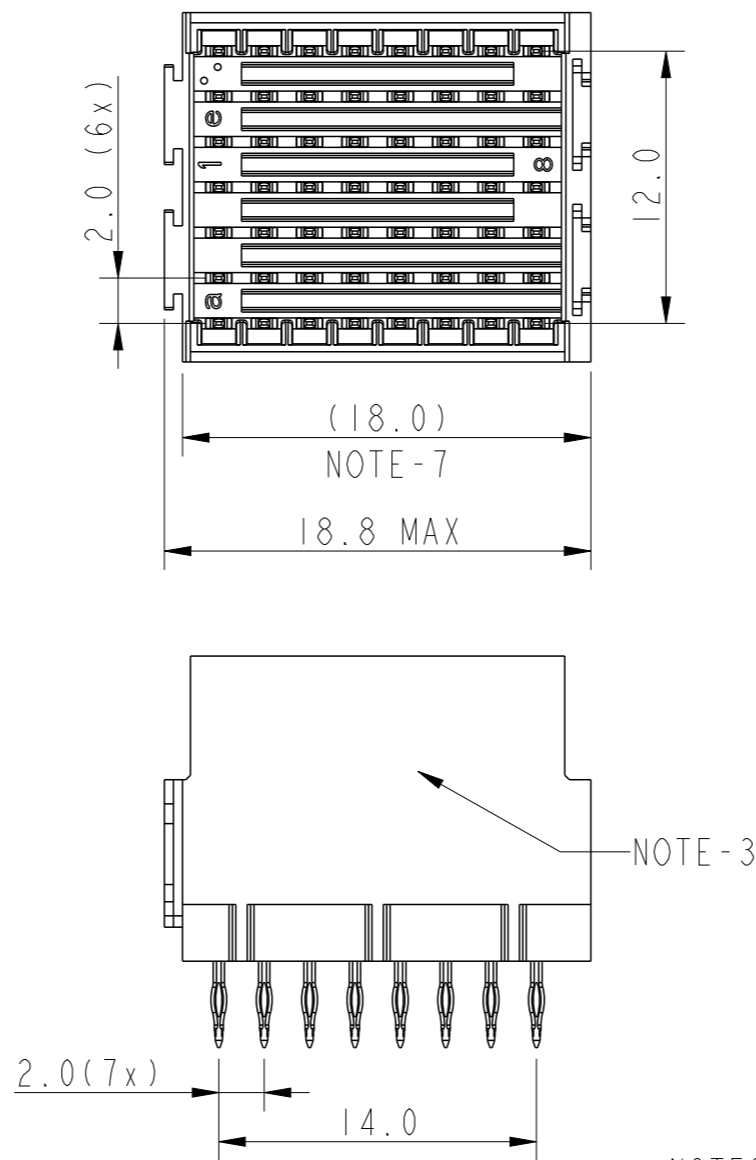


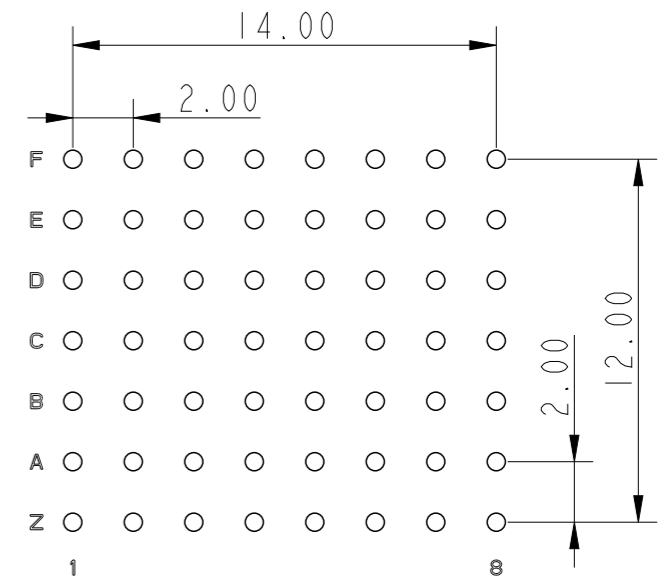
CONTACT OVERVIEW



SEATING PLANE FOR CONNECTOR



PCB LAYOUT COMPONENT SIDE



ROW Z & F NOT REQUIRED FOR NON SHIELDED CONNECTORS.

10164739-x0xLF

LOADING PATTERN (SEE PAGE-2)

PLATING CODE (9-GXT)

NOTES :

1. MEASURED AT THE BOTTOM
2. MATERIALS  
HOUSING : THERMOPLASTIC (UL94 V-0)  
CONTACT : COPPER ALLOY
3. FOR CONNECTOR PRINTED WITH P/N AND DATE CODE.
4. FOR CONTACT LOADINGS,SEE LOADING PATTERN MATING SIDE.
5. THIS PRODUCT MEETS EUROPEAN UNION DIRECTIVES AND OTHER COUNTRY REGULATIONS AS DESCRIBED IN GS-47-0004
6. FOR RECOMMENDED PTH DIMENSIONS REFER DRAWING:BS,A,201572,001
7. PITCH FOR SCALING

|                     |         |           |            |            |                                 |        |           |                        |              |
|---------------------|---------|-----------|------------|------------|---------------------------------|--------|-----------|------------------------|--------------|
| spec ref            | dr      | Aswin T-S | 2023/02/17 | projection | MM                              | size   | A3        | scale                  | 1:1          |
| tolerance std       | eng     | Aswin T-S | 2023/02/17 |            |                                 | ecn no | rel level | Released               | rev          |
| ISO 406<br>ISO 1101 | chr     | -         | -          |            |                                 |        |           |                        |              |
| surface             | linear  | 0.X       | ±0.2       |            | MILLIPACS VHDR TYPE B8 SCALABLE | dwg no | 10164739  | Product - Customer Drw | sheet 1 of 2 |
|                     |         | 0.XX      | ±0.1       |            |                                 |        |           |                        |              |
| ISO 1302            | angular | 0°±1°     | ±°         | cat. no.   | -                               |        |           |                        |              |

A

|                |   |   |   |   |   |   |   |    |
|----------------|---|---|---|---|---|---|---|----|
| 10164739-x01LF |   |   |   |   |   |   |   |    |
| f              | 0 | 0 | 0 | 0 | 0 | 0 | 0 |    |
| e              | 4 | 4 | 4 | 4 | 4 | 4 | 4 |    |
| d              | 4 | 4 | 4 | 4 | 4 | 4 | 4 |    |
| c              | 4 | 4 | 4 | 4 | 4 | 4 | 4 |    |
| b              | 4 | 4 | 4 | 4 | 4 | 4 | 4 |    |
| a              | 4 | 4 | 4 | 4 | 4 | 4 | 4 |    |
| z              | 0 | 0 | 0 | 0 | 0 | 0 | 0 |    |
| 01             |   |   |   |   |   |   |   | 08 |

B

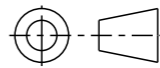



|                |   |   |   |   |   |   |   |    |
|----------------|---|---|---|---|---|---|---|----|
| 10164739-x02LF |   |   |   |   |   |   |   |    |
| f              | 6 | 6 | 6 | 6 | 6 | 6 | 6 |    |
| e              | 4 | 4 | 4 | 4 | 4 | 4 | 4 |    |
| d              | 4 | 4 | 4 | 4 | 4 | 4 | 4 |    |
| c              | 4 | 4 | 4 | 4 | 4 | 4 | 4 |    |
| b              | 4 | 4 | 4 | 4 | 4 | 4 | 4 |    |
| a              | 4 | 4 | 4 | 4 | 4 | 4 | 4 |    |
| z              | 6 | 6 | 6 | 6 | 6 | 6 | 6 |    |
| 01             |   |   |   |   |   |   |   | 08 |

C

|                |   |   |   |   |   |   |   |    |
|----------------|---|---|---|---|---|---|---|----|
| 10164739-x03LF |   |   |   |   |   |   |   |    |
| f              | 0 | 0 | 0 | 0 | 0 | 0 | 0 |    |
| e              | 5 | 5 | 5 | 5 | 5 | 5 | 5 |    |
| d              | 5 | 5 | 5 | 5 | 5 | 5 | 5 |    |
| c              | 5 | 5 | 5 | 5 | 5 | 5 | 5 |    |
| b              | 5 | 5 | 5 | 5 | 5 | 5 | 5 |    |
| a              | 5 | 5 | 5 | 5 | 5 | 5 | 5 |    |
| z              | 0 | 0 | 0 | 0 | 0 | 0 | 0 |    |
| 01             |   |   |   |   |   |   |   | 08 |

D

|                |   |   |   |   |   |   |   |    |
|----------------|---|---|---|---|---|---|---|----|
| 10164739-x04LF |   |   |   |   |   |   |   |    |
| f              | 6 | 6 | 6 | 6 | 6 | 6 | 6 |    |
| e              | 5 | 5 | 5 | 5 | 5 | 5 | 5 |    |
| d              | 5 | 5 | 5 | 5 | 5 | 5 | 5 |    |
| c              | 5 | 5 | 5 | 5 | 5 | 5 | 5 |    |
| b              | 5 | 5 | 5 | 5 | 5 | 5 | 5 |    |
| a              | 5 | 5 | 5 | 5 | 5 | 5 | 5 |    |
| z              | 6 | 6 | 6 | 6 | 6 | 6 | 6 |    |
| 01             |   |   |   |   |   |   |   | 08 |

|   |         |       |   |                                 |   |   |           |              |           |          |  |
|---|---------|-------|---|---------------------------------|---|---|-----------|--------------|-----------|----------|--|
| spec ref  |         | dr    | Aswin T-S   | 2023/02/17                      |  |  | size      | A3           | scale     | 3:1      |  |
| tolerance std   |         | eng   | Aswin T-S   | 2023/02/17                      |   |   | ecn no    |              | rel level |          |  |
| ISO 406<br>ISO 1101   |         | chr   | -   | -                               |   |   | MILLIPACS |              | Released  |          |  |
| surface   |         | appr  | Kuriakose, San  | 2023/02/17                      | product family  |   | MILLIPACS |              | rel level | Released |  |
| linear<br> | 0.X     | ±0.2  |  | MILLIPACS VHDR TYPE B8 SCALABLE |   | dwg no<br>10164739  | rev       |              | A         |          |  |
|   | 0.XX    | ±0.1  |   |                                 |   |   |           |              |           |          |  |
|   | 0.XXX   | ±     |   |                                 |   |   |           |              |           |          |  |
| ISO 1302  | angular | 0°±1° | ±°  | cat. no.                        | -   | Product - Customer Drw  |           | sheet 2 of 2 |           |          |  |

A

B

C

D