

**Materials and Finish**

Housing Material: High Temperature Thermoplastic, UL 94V-0 Rated, Color: Black

Contact Material: Phosphor Bronze

**Plating Options:**

Standard: Nickel Underplating, Gold Flash Plated on Contact Area, Gold Flash Plated on Solder Area

50 Option: Nickel Underplating, Contact Area Plated with 50u" Gold to Comply with ANSI/TIA-1096-A, Gold Flash Plated on Solder Area

Shield: Copper Alloy, Nickel Plated

**Electrical Characteristics**

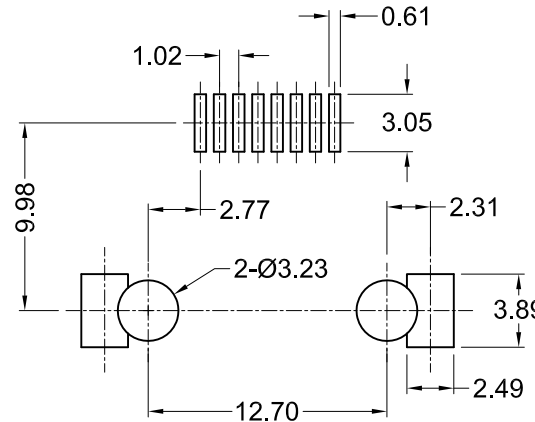
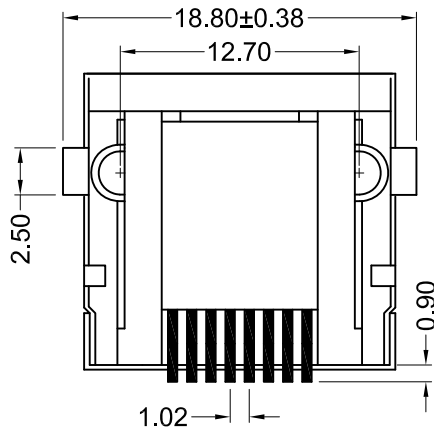
Rated Current: 1.5A

Rated Voltage: 125V DC

Insulation Resistance: 500 Megohms Min.

Contact Resistance: 20 milliohms Max.

Dielectric Withstanding Voltage: 1000V rms, 60Hz



Recommended PCB Layout (Top View)

Part Number	Contact Area Plating Finish	Packaging
GWX-SMT-S-88	Gold Flash (standard)	Tray
GWX-SMT-S-88-50	50u" Gold (50 option)	Tray
GWX-SMT-S-88-TR	Gold Flash (standard)	Tape & Reel
GWX-SMT-S-88-50-TR	50u" Gold (50 option)	Tape & Reel



Tolerances
X.X ± 0.35
X.XX ± 0.25
Unless Stated Otherwise

REV.	DATE	DESCRIPTION	REV. BY	CHK. BY	DRAWN BY	DATE
A3	09/01/10	Release Drawing	H. MA	N/A	S. Vien	04/11/08
A4	01/12/11	ECO #11-004	S. Vien	H. MA		
A5	06/11/12	ECO #12-031	S. Vien	P. DalCanto		
A6	11/13/12	ECO #12-062	S. Vien	P. DalCanto	UNITS	mm
A7	06/25/13	Updated Dimensions	D. Gih	P. DalCanto		
A8	08/01/17	Update Address	J. Elbanna	H. MA		

**GWX-SMT-S-88**

Modular Jack, RoHS Compliant

Tab Up, SMT Shield

