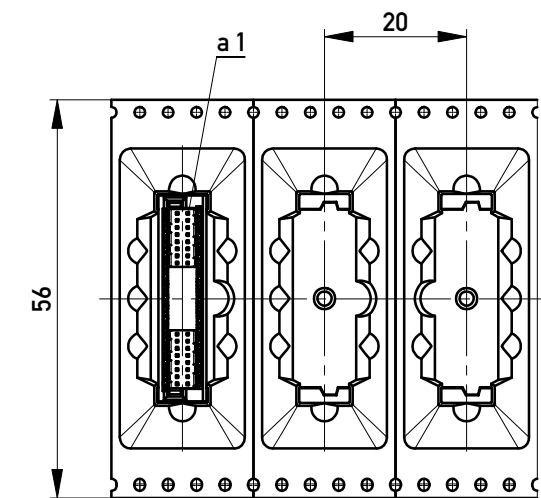
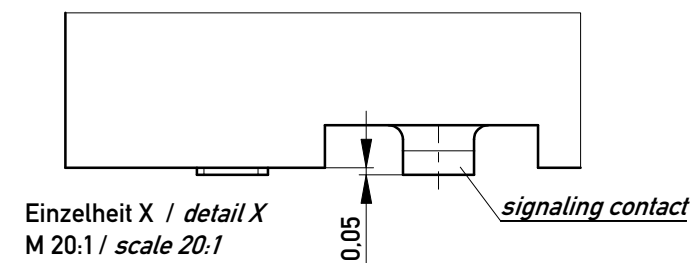
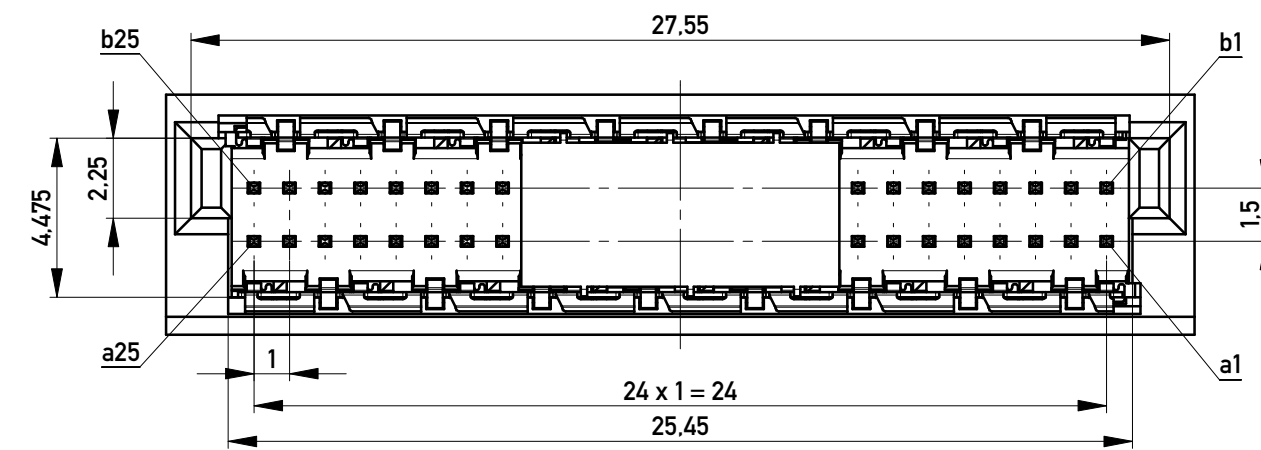


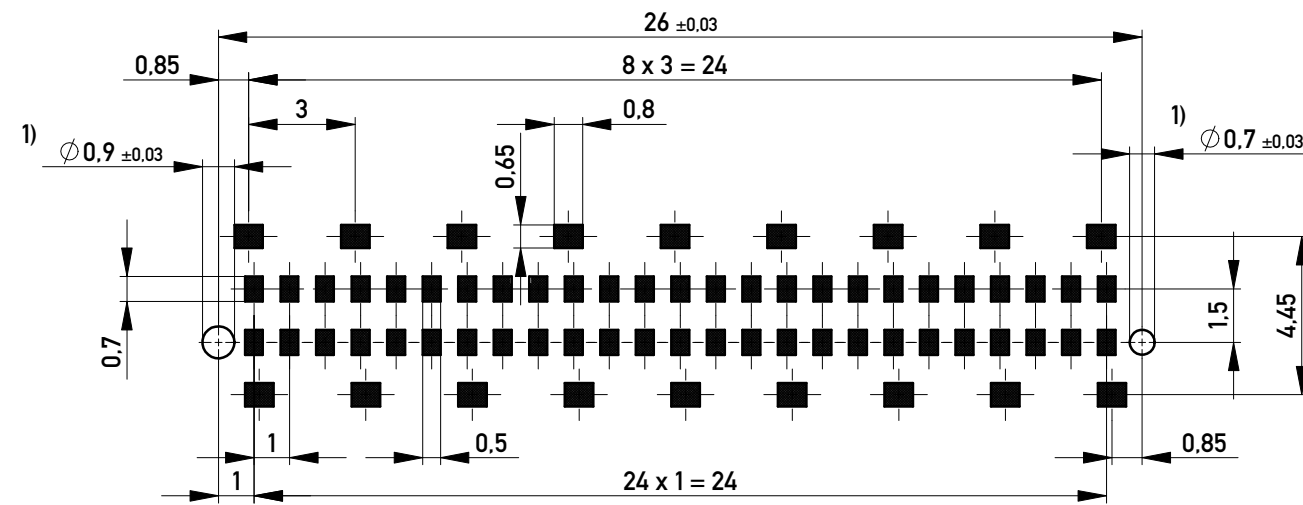
Verpackt im Gurt in Anlehnung an DIN IEC 60286-3
 tape on reel packaging according to DIN IEC 60286-3
 Verpackungseinheit: 170 Stück
 packaging unit: 170 pcs



Abspulrichtung - Reel off Direction



Leiterplatten-Layout Vorschlag / PCB-layout proposal



1) Durchmesser des Bohrers / Drill tool

Anforderungsstufe 1
 Performance Level 1

Kontaktbereich vergoldet
 Mating Area gold plating

Anschlussbereich verzinkt 4-6 µm
 Terminal Area 4-6 µm tin plating

Koplanarität der Anschlüsse ≤ 0,1 mm
 Coplanarity Area of Termination ≤ 0,1 mm

Information:	Tolerances	 All Dimensions in mm	Scale	5:1
	All rights reserved. Only for Information. To ensure that this is the latest version of this drawing, please contact one of the ERNI companies before using.		Designation M10 MSpeed Blind Mate 50 SMD	
Subject to modification without prior notice. Drawing will not be updated.		 www.ERNI.com	354187	
f	01.09.2017		Class	MSPEED
Index	Date			I A3

Copyright by ERNI GmbH
 Proprietary notice pursuant to ISO 16016 to be observed.