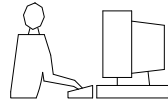
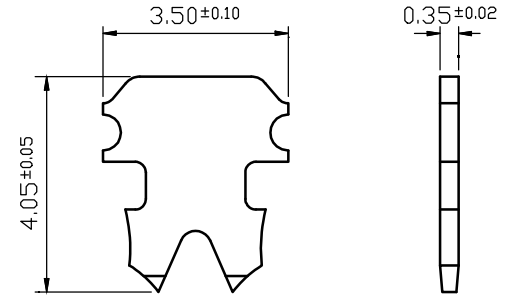
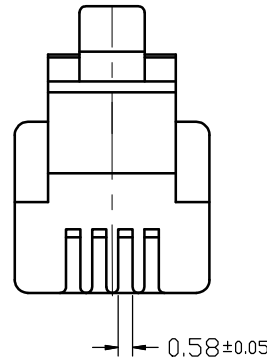
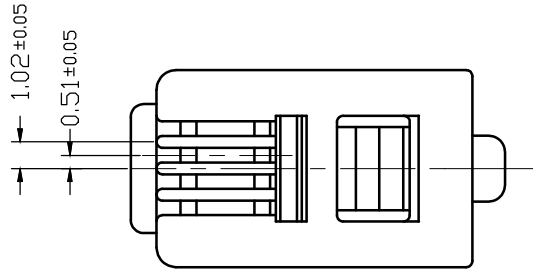


THIS IS A C.A.D. GENERATED DRAWING
DO NOT MAKE MANUAL REVISIONS TO MASTER.

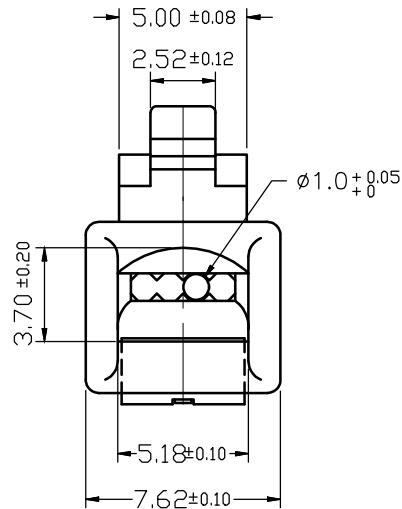
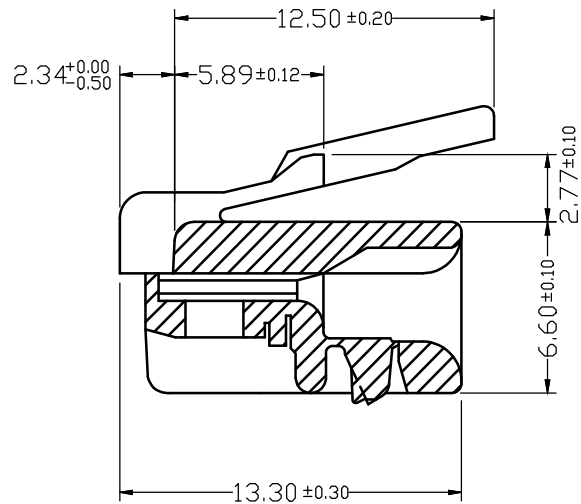


* UNLESS OTHERWISE SPECIFIED TOLERANCES
ON DECIMAL IS: ANGLE $\pm 1^\circ$
.XX ± 0.35

UNIT: MM



2 PRONGS FOR STRANDED WIRE



MATERIAL :

1. Housing Material: Polycarbonate(PC)
UL 94V-2.
2. Contact Type: 2 prongs for STRANDED wire.
3. Gold Plating: 50u"($\cong 1.27\mu\text{m}$).
4. Contact Material: Phosphor Bronze.

ORDERING INFORMATON:

SIZE	P/N - BULK	PRODUCT CODE
4P4C	6510-0104-02	MHRJ224P4CR

THESE DRAWINGS AND SPECIFICATIONS ARE THE PROPERTY OF MH CONNECTORS LTD. AND SHALL NOT BE REPRODUCED, COPIED OR USED AS THE BASIS FOR THE MANUFACTURE OR SALE OF APPARATUS WITHOUT WRITTEN PERMISSION.

DRAWN HALEY	DATE 09-05-13
APPROVED	DATE

SCALE	SHEET OF 1 OF 1	REV: 3.0
-------	--------------------	--------------------

DRAWING No
MHRJ224P4CR



THIS SERIES FULLY CONFORMS TO THE
EUROPEAN UNION DIRECTIVES 2002/95/EC
AND 2002/96/EC FOR RoHS COMPLIANCY.



MH CONNECTORS LTD.