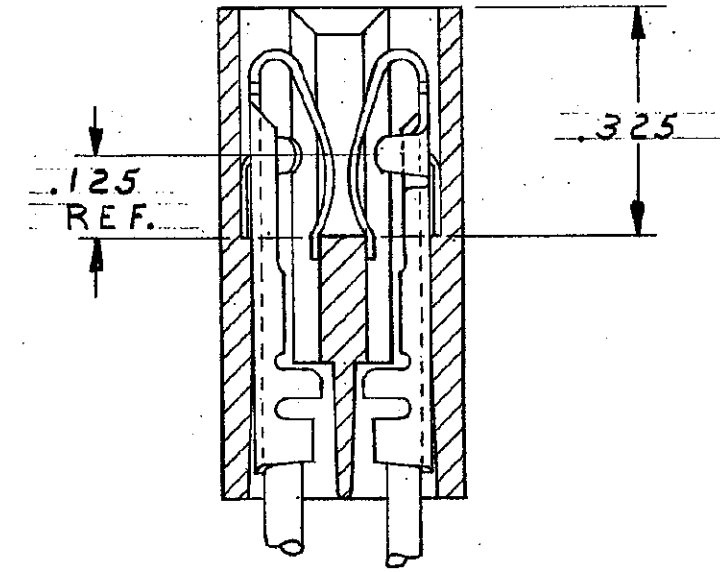
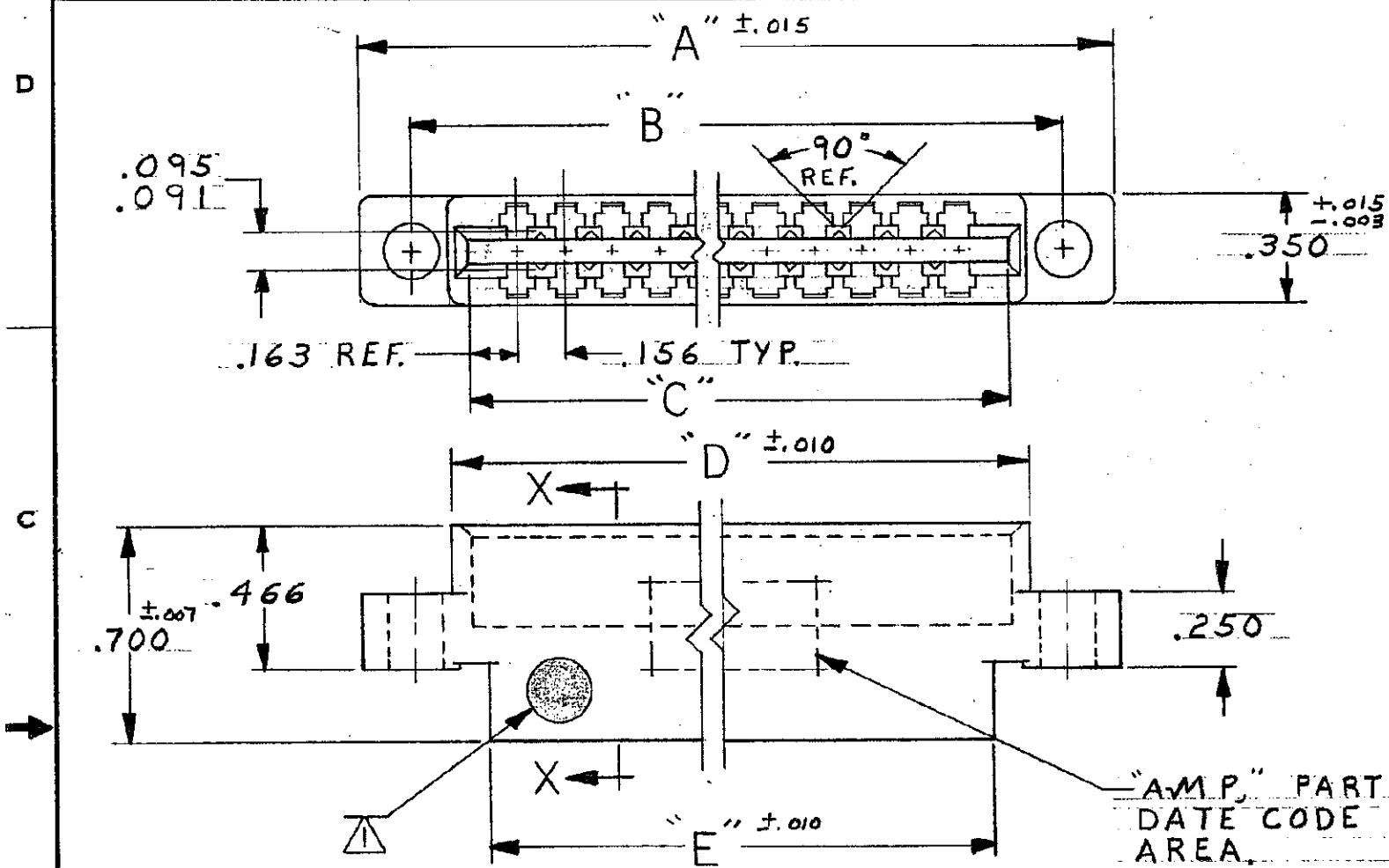


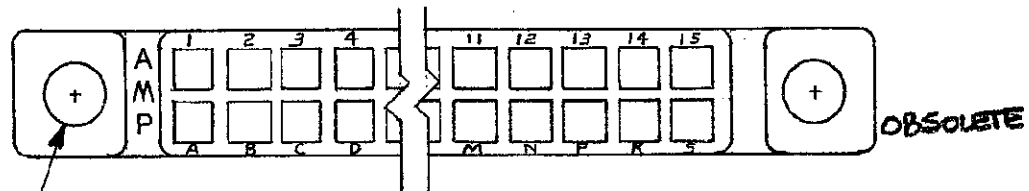
DRAWING MADE IN AMERICAN PROJECTION

© 1961 BY AMP INCORPORATED. ALL RIGHTS RESERVED. AMP PRODUCTS COVERED BY PATENTS AND/OR PATENTS PENDING.

REVISIONS				
ZONE	LTR	DESCRIPTION	DATE	APPROVED
	AD	REDRAWN & REVISED	3270	11-17-71 M.S. D.H.
	AE	REVISED NOTE 1	7490	8-4-81
✓	AF	REV PER AD 1735		7-22-87
✓	AG	REV PER EC 0320-344-47		24 NOV 97 NS



"AMP," PART NO. & DATE CODE IN THIS AREA.



.187 DIA. HOLE
 2 HOLES

480110-7	3.182	$\pm .007$ 2.854	2.506	2.621	2.376	$\Delta 1$ $\Delta 3$
480110-5	3.182	$\pm .007$ 2.854	2.506	2.621	2.376	$\Delta 3$
480110-2	3.187	$\pm .0075$ 2.8590	2.510	2.625	2.380	$\Delta 2$
PART NO.	"A"	"B"	"C"	"D"	"E"	MATERIAL

$\Delta 1$ STAMP .250 $\pm .015$ DIA. WHITE DOT ON LOWER LEFT HAND CORNER ON EITHER SIDE OF HOUSING

$\Delta 2$ DIALLYL PHTHALATE-GLASS FILLED PER MIL-M-14 F TYPE SDG-F COLOR: BLUE.

$\Delta 3$ PHENOLIC-COLOR BLACK.

UNLESS OTHERWISE SPECIFIED DIMENSIONS ARE IN INCHES TOLERANCES ON: DECIMALS $\pm .005$ ANGLES \pm	CONTRACT NO.	AMP AMP INCORPORATED HARRISBURG, PENNSYLVANIA
	DR. <i>M. Smith</i> 11-16-71 CHK. <i>D.S. Heide</i> 11-22-71 APPD. <i>John W. Kaufman</i> 11-27-71 REL. <i>R. Shreeman</i> 11-23-71	
MATERIAL SEE TABLE	DSGN APPD.	SIZE B
	OTHER APPD.	CODE IDENT NO. 00779
		NUMBER 480110
		SCALE 2-1 3-1
		SHEET 1 OF 1

LOG FT
 PRINT LIST
 122