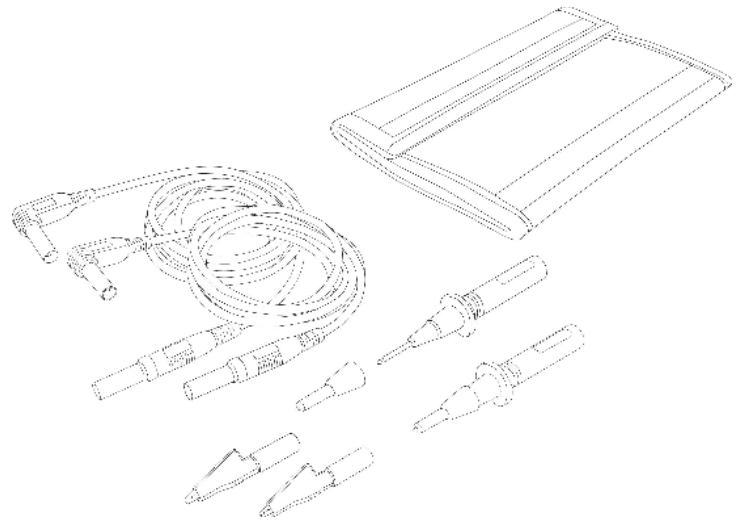


Cleaning

Use the following guidelines:

- Clean only the exteriors of any probe, cable or adapter. Use a soft cotton cloth moistened with a mild detergent and water solution. Do not allow any portion of the part to be submerged at any time.
- Dry the probe, cable or adapter thoroughly before attempting to make any voltage measurement.
- Do not subject the products to solvents or solvent fumes as these can cause deterioration of the body, cables and/or dielectrics.



Cal Test Electronics, Inc.
22820 Savi Ranch Pkwy.
Yorba Linda, CA 92887-4610
USA
Tel : 714-221-9330
Fax : 714-921-9849

E-mail : info@caltestelectronics.com
Web : www.caltestelectronics.com

CT3738C_UserManual_r01

CT3738C

Electrical DMM Kit

© 2016 Cal Test Electronics. All rights reserved.

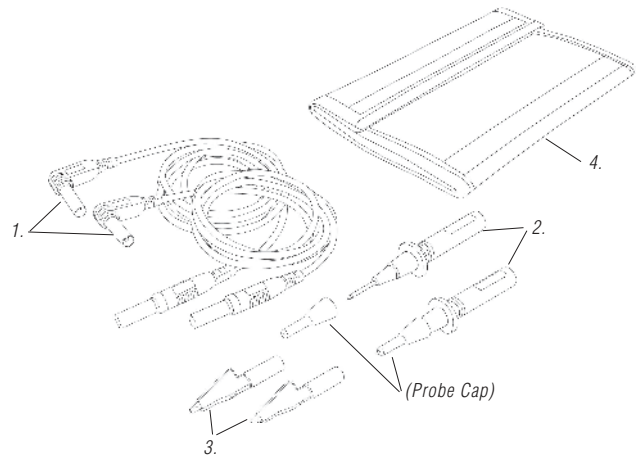
Cal Test Electronics products are covered by US and foreign patents, issued and pending. Information in this publication supersedes all earlier versions. Specification subject to change without notice.

22820 Savi Ranch Pkwy.
Yorba Linda, California 92887

For product information, sales, service and technical support:

- Call: 714-221-9330
- Email: info@caltestelectronics.com
- Worldwide: <http://www.caltestelectronics.com>

Kit Components



Item.	Description	Model	Quantity
1.	Silicone Leads, 100cm (40"), Black	CT3753-100-0	1
1.	Silicone Leads, 100cm (40"), Red	CT3753-100-2	1
2.	Probe, Fix Tip, 3900 Series, Black	CT3974-0	1
2.	Probe, Fix Tip, 3900 Series, Red	CT3974-2	1
3.	Alligator Clip 3900 Series, Black	CT3942-0	1
3.	Alligator Clip 3900 Series, Red	CT3942-2	1
4.	Tri-Fold Pouch, Nylon, Black	CT3041	1

Specifications [EC Declaration of Conformity]

EN 61010-031:2015	Low Voltage Directive (LVD) 2014/35/EU	CE
--------------------------	--	-----------

Max. Operating Temp -20° to +80° C

Humidity 85% RH or less (at 35° C)

Item	Description	Voltage Range	Current Max.
1.	Silicone Leads	1000 V CAT III / 600 V CAT IV	10A
2.	Probes	*1000 V CAT III / 600 V CAT IV	10A
3.	Alligator Clips	300 V CAT II	5A

*Rating applies with Cap. Without Cap, 1000 V CAT II



WARNING. The measurement category of a combination probe and clip is the lower of the two.

Definitions:

Measurement Category I (CAT I) is for measurements performed on circuits not directly connected to mains.

Measurement Category II (CAT II) is for measurements performed on circuits directly connected to the low voltage installation. Examples are on household appliances, portable tools and similar equipment.

Measurement Category III (CAT III) is for measurements performed in the building installation. Examples are measurements on distribution boards, circuit-breakers, wiring in fixed installation, and equipment for industrial use.

Pollution Degree 2 refers to an operation environment where normally only dry non-conductive pollution occurs. Temporary conductivity caused by condensation must be expected.

Warranty

Cal Test Electronics warrants this product for normal use and operation within specification for a period of one (1) year from the date of shipment (accessories and manual not included).

In exercising its warranty, Cal Test Electronics, at its option, will either repair or replace any assembly returned within the warranty period. However, this will be done only if the product is determined by Cal Test Electronics' examination to be defective because of workmanship or materials, and the defect is not caused by misuse, neglect, accident, abnormal conditions of operation, or damaged by attempted repair or modifications by non-authorized facility.

The customer will be responsible for the transportation and insurance charges for the return of products. Cal Test Electronics will return all products under warranty with transportation charges prepaid. (Continental U.S. only.)

This warranty replaces all other warranties, expressed or implied, including, but not limited to, any implied warranty of merchantability, fitness, or adequacy for any particular purpose or use. Cal Test Electronics shall not be liable for any special, incidental or consequential damages, whether in contract or otherwise.



This electronic product is subject to disposal and recycling regulations that vary by country and region. Many countries prohibit the disposal of waste electronics equipment in standard waste receptacles.

Made in Taiwan

General Safety Information

To avoid personal injury and to prevent fire or damage to the cables or adapter or any product connected to them, review and comply with the following safety precautions.

Use of these cables or adapters or test instrument they are connected to in a manner not specified by the manufacturers may impair protection mechanisms.

To avoid Personal Injury and Product Damage:

Connect to properly grounded instruments. Use only with test instruments having their input connected to earth ground. Do not connect the cables or adapter's ground shells to any point which is at a potential other than earth ground.

Do not disconnect the cable or adapters from instrument during measurement. Connect the cable or adapters to the measurement instrument before connecting to the test circuit.

Do not apply to their inputs any potential that exceeds the maximum rating of the lead or adapters.

Do not use if any part is damaged. All maintenance should be referred to a qualified service personnel only.

Do not use in wet or explosive atmospheres.

For indoor use only.

Basic Operation

Model CT3738C is a general purpose accessory kit for use with most all handheld or bench top digital multimeters.

Symbols and Terms

These terms may appear in this manual:



WARNING. Warning statements identify conditions or practices that could result in injury or loss of life.



CAUTION. Caution statements identify conditions or practices that could result in damage to this product or other property.

The following symbols may appear on the product:



DANGER
High Voltage



ATTENTION
Refer to Manual



DOUBLE
INSULATION



Protective
(EARTH) TERMINAL