

NOTES:

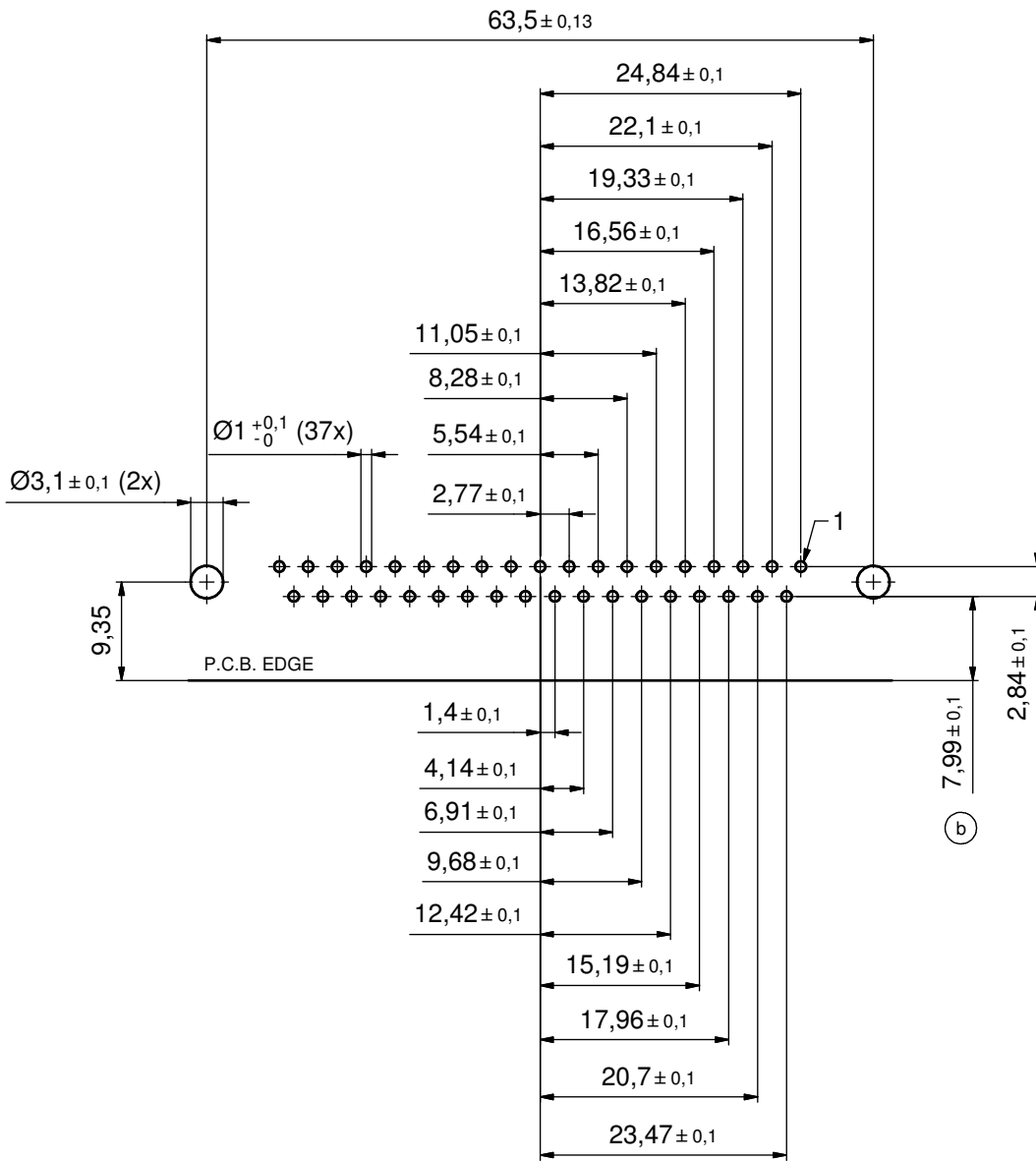
1. METAL SHELLS: STEEL; min. 315µm TIN over 40-80µm NICKEL
2. INSULATORS: PBT GF UL 94 V-0; BLACK
- (b) 3. SIGNAL CONTACTS: COPPER ALLOY; PLATING (SEE PART NO.):
 - PLEASE ADD A for GOLD FLASH over NICKEL (PREFERRED TYPE)
 - PLEASE ADD B for 20µm HARD GOLD over min. 50µm NICKEL
 - PLEASE ADD C for 30µm HARD GOLD over min. 50µm NICKEL
4. MOUNTING BRACKETS: PBT GF UL 94 V-0; BLACK
5. THREADED INSERTS: COPPER ALLOY; min. 200µm TIN over 80µm NICKEL
6. FIXING-PLATE: PBT GF UL 94 V-0; BLACK
7. GROUNDING CLIPS: COPPER ALLOY; min. 200µm TIN over 80µm NICKEL
PCB-HOLE: $\varnothing 3,1 \pm 0,1$; PCB THICKNESS 1.6mm
8. P.C.B. HOLE DRILLINGS ON SHEET 2
9. MAXIMUM TORQUE VALUE FOR THREAD: 6 in.LB
10. CONNECTOR IS PART MARKED: 164□18839X CONEC ABC (see note 3)

Directive 2002/95/EC RoHS compliant

THIS DRAWING MAY NOT BE COPIED OR REPRODUCED IN ANY WAY, AND MAY NOT BE PASSED ON TO A THIRD PARTY WITHOUT WRITTEN PERMISSION. OWNERSHIP AND COPYRIGHT OF CONEC GmbH DO NOT ALTER CAD DRAWING BY HAND					tolerance	dim. in mm	scale:	2:1 (5:1)
								material:
					date	name	title:	
					drawn	11.12.13	D-SUB FEMALE 90°	
					appd.	17.12.13	37pos. SOLDER PIN ANGLED 0.318inch	
					norm		threaded insert, mounting bracket, grounding clip, fixing-plate	
					d-old	16K1A1335	dwg no:	
	4 x b	A5017	11.12.2013	K.H.				DIN-A3
	a	Original					(b) 16K1A3366	sh: 1/2
	rev.	description	date	name			part no: (b) 164□18839X (see note 3)	

P.C.B. HOLE DRILLINGS

(P.C.B. TOP SIDE)



THIS DRAWING MAY NOT BE COPIED OR REPRODUCED IN ANY WAY, AND MAY NOT BE PASSED ON TO A THIRD PARTY WITHOUT WRITTEN PERMISSION. OWNERSHIP AND COPYRIGHT OF CONEC GmbH DO NOT ALTER CAD DRAWING BY HAND				tolerance		scale: 2:1
					dim. in mm	material: SEE SHEET 1
				date	name	title: P.C.B. HOLE DRILLINGS D-SUB FEMALE 37pos. 0.318inch threaded insert,mounting bracket,grounding plate,fixing-plate
				drawn 11.12.13	Henneboel	
				appd. 17.12.13	Schmidt	
			norm		dwg no:	
			d-old			
1 x b	A5017	10.12.2013	K.H.	CONEC [®]		DIN-A3
a	Original					16K1A3366
rev.	description	date	name	part no: SEE SHEET 1		