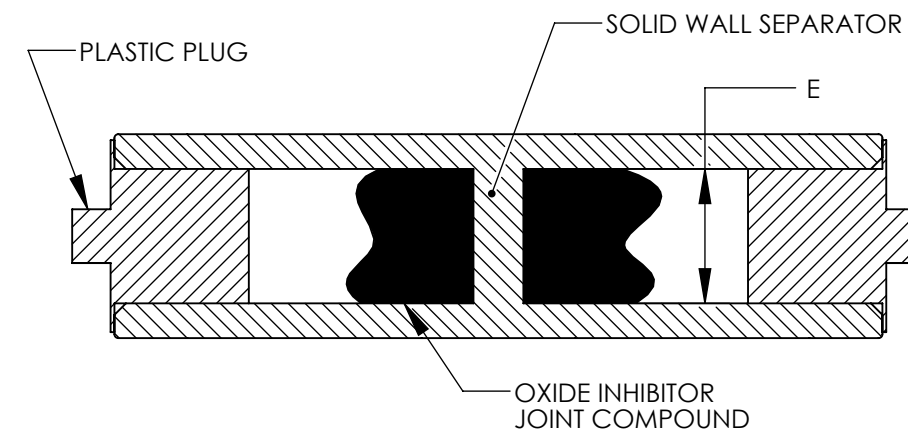
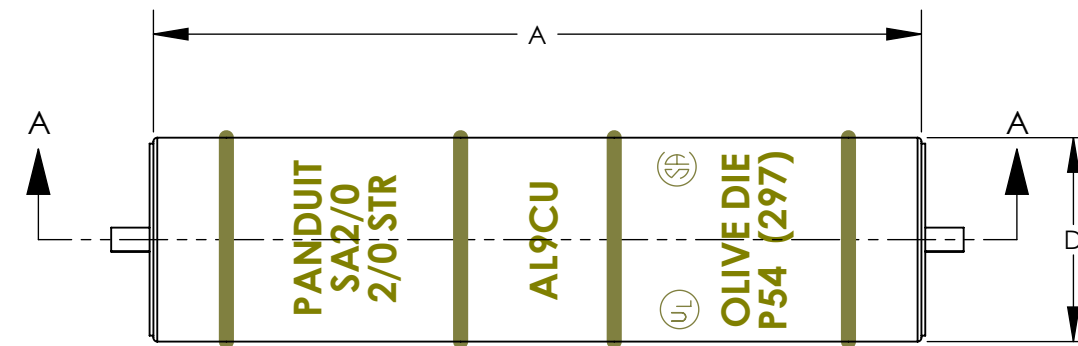


PANDUIT PART NUMBER	PACKAGE QUANTITY	CONDUCTOR SIZE	OVERALL LENGTH "A" ±.12	I.D. ±.01	O.D. ±.01	PANDUIT DIE COLOR CODE PANDUIT DIE INDEX NUMBER (BURNDY DIE INDEX NUMBER)
SA6-T	200	#6 AWG	1.62	0.20	0.34	GRAY DIE P29 (346)
SA4-CR	100	#4 AWG	1.88	0.27	0.47	GREEN DIE P37 (375)
SA2-C	100	#2 AWG	2.00	0.31	0.53	PINK DIE P42 (348)
SA1/0-L	50	1/0 AWG	2.12	0.39	0.64	TAN DIE P50 (296)
SA2/0-L	50	2/0 AWG	2.31	0.44	0.69	OLIVE DIE P54 (297)
SA3/0-E	20	3/0 AWG	2.62	0.48	0.76	RUBY DIE P60 (467)
SA4/0-30	30	4/0 AWG	2.72	0.55	0.88	WHITE DIE P66 (298)
SA250-E	20	250 kcmil	2.94	0.59	0.91	RED DIE P71 (324)
SA300-E	20	300 kcmil	3.12	0.65	1.01	BLUE DIE P76 (470)
SA350-15	15	350 kcmil	3.38	0.72	1.11	BROWN DIE P87 (299)
SA400-X	10	400 kcmil	3.75	0.76	1.19	GREEN DIE P94 (472)
SA500-X	10	500 kcmil	3.81	0.84	1.32	PINK DIE P99 (300)
SA600-8	8	600 kcmil	4.12	0.92	1.44	BLACK DIE P106 (473)
SA750-8	8	750 kcmil	4.62	1.03	1.59	RED DIE P125 (301)

NOTES:

- MATERIAL: SEAMLESS ALUMINUM TUBING, TIN PLATED
- BARREL COLOR CODED WITH DIE SET INDEX NUMBER
- WIRE TYPE:
COPPER CLASS B CONCENTRIC, COMPRESSED AND COMPACT STRANDED WIRE
COPPER CLASS C CONCENTRIC STRANDED WIRE
ALUMINUM CLASS B, CONCENTRIC, COMPRESSED AND UNIDIRECTIONAL LAY COMPACT STRANDED WIRE
- UL LISTED & CSA CERTIFIED TEMPERATURE RATED 90° C (AL9CU)
- UL LISTED & CSA CERTIFIED VOLTAGE RATING 35 KV
- ALL DIMENSIONS IN INCHES



						TITLE SA SERIES ALUMINUM SPLICES CUSTOMER DRAWING	
						ITEM REVISION NAME	02903NBF/00
						DATASET FILE NAME	02903NBF-DC r00.SLDDRW
						UNLESS OTHERWISE SPECIFIED, DIMENSIONAL TOLERANCES ARE: IN [mm]	
						.X ±	.XXX ±
						.XX ±	ANGLES ±
						THIRD ANGLE PROJECTION	
00	8/22	JHNU	JHNU	JADE	DRAWING RELEASED		
REV	DATE	BY	CHK	APR	DESCRIPTION	ECN	
						DRAWN BY	JHNU
						DATE	8/22
						CHK	JHNU
						SCALE	NONE
						SHEET 1 OF 1	
						SIZE	B



MATERIAL
SEE NOTES

DRAWING NUMBER
02903NBF-DC