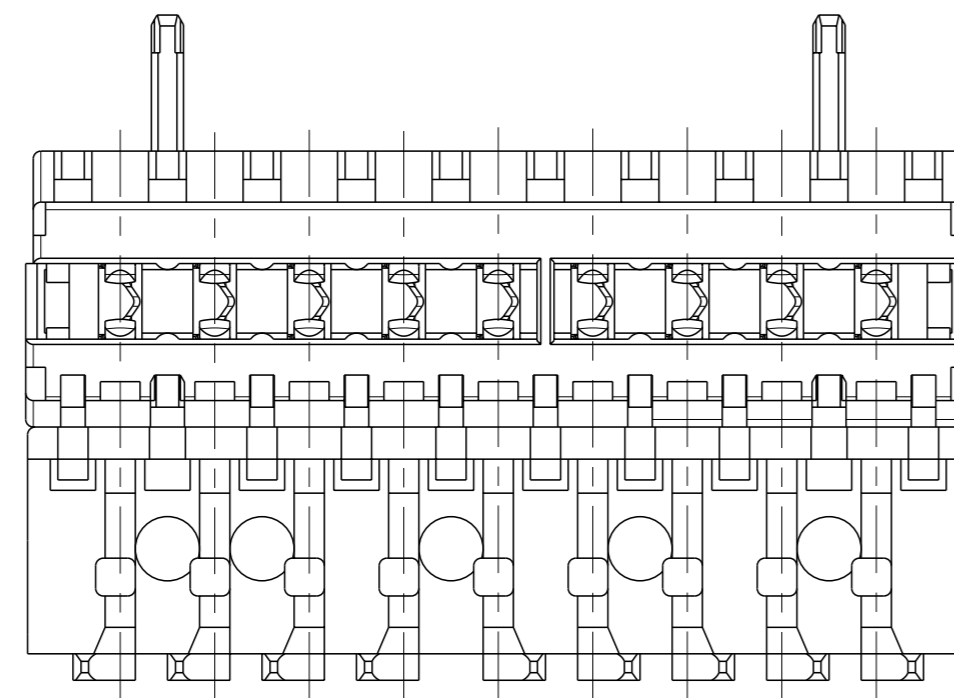
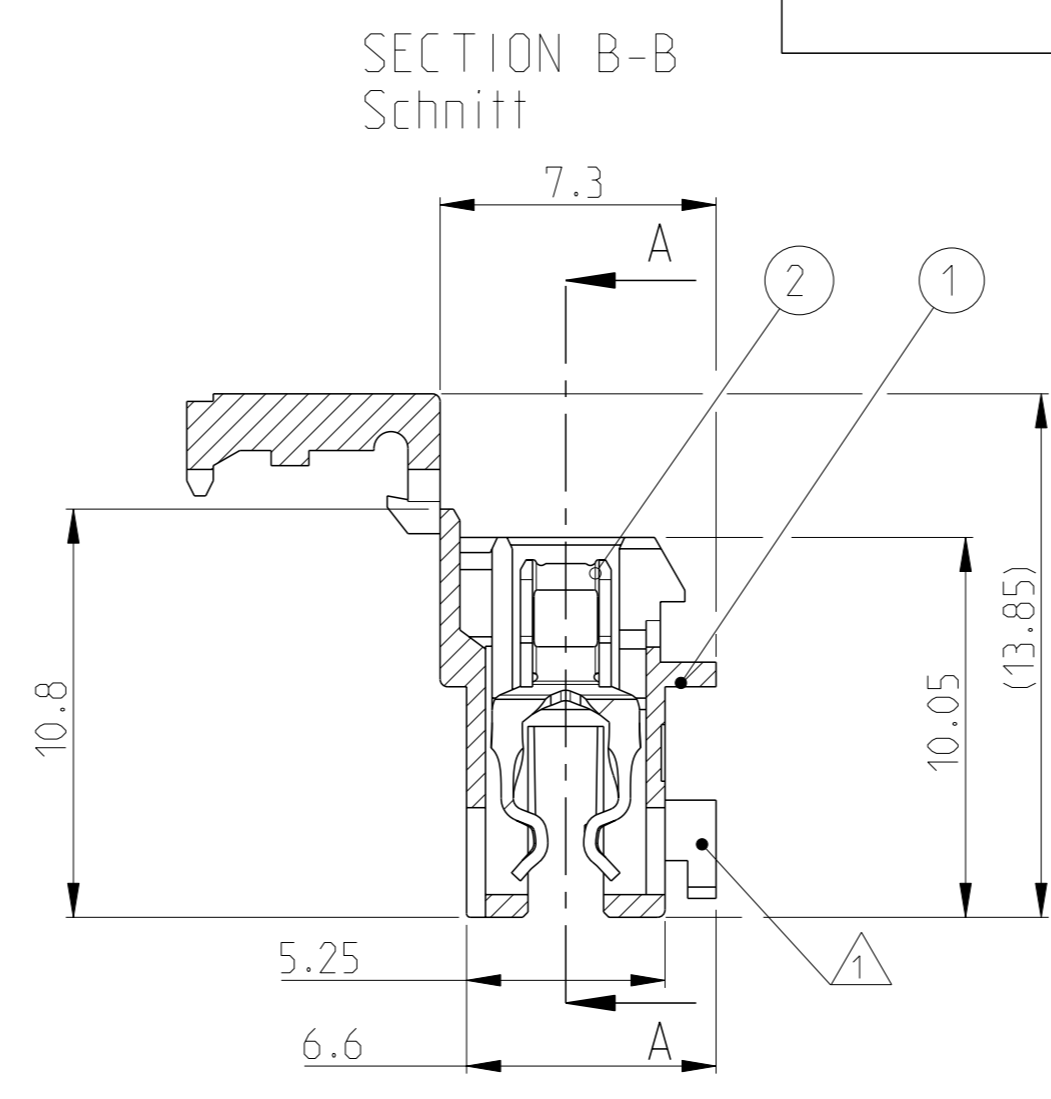
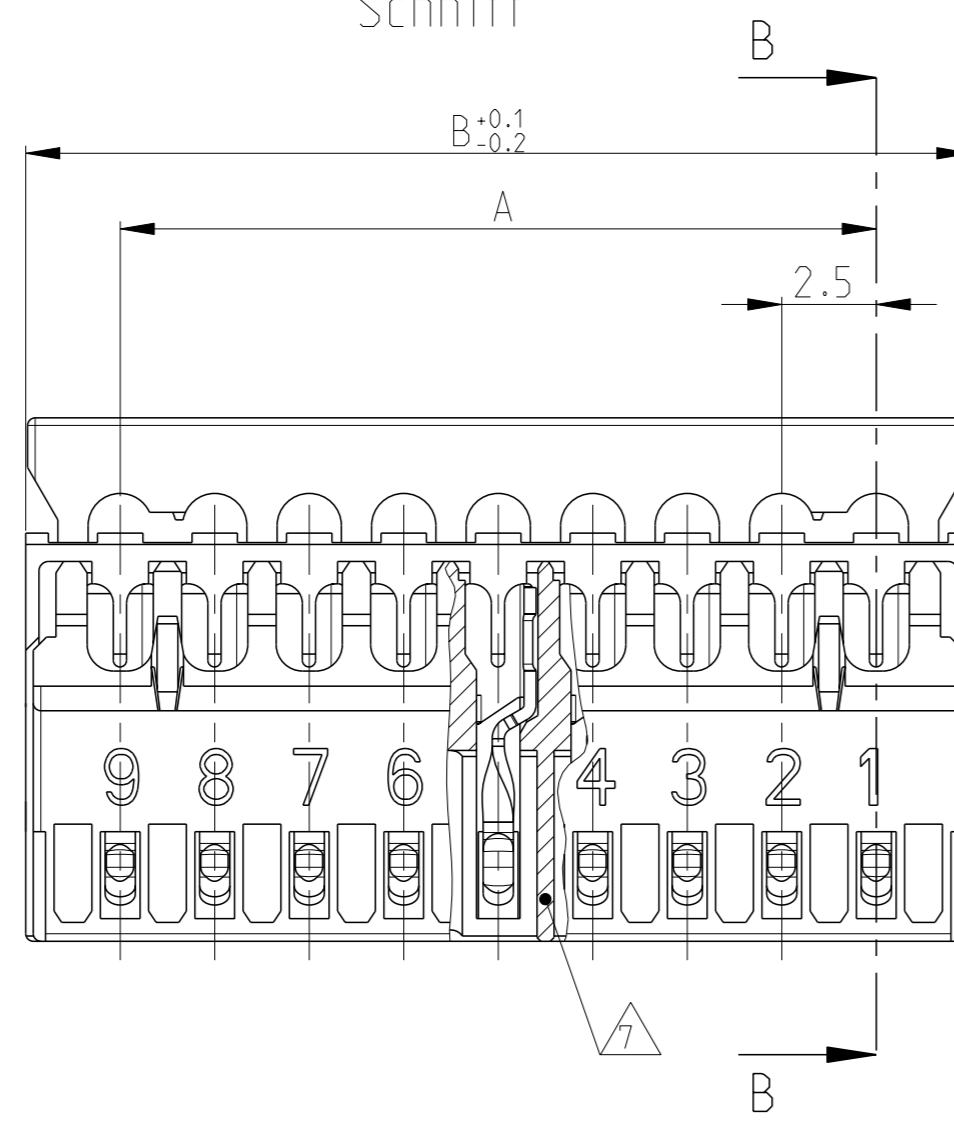


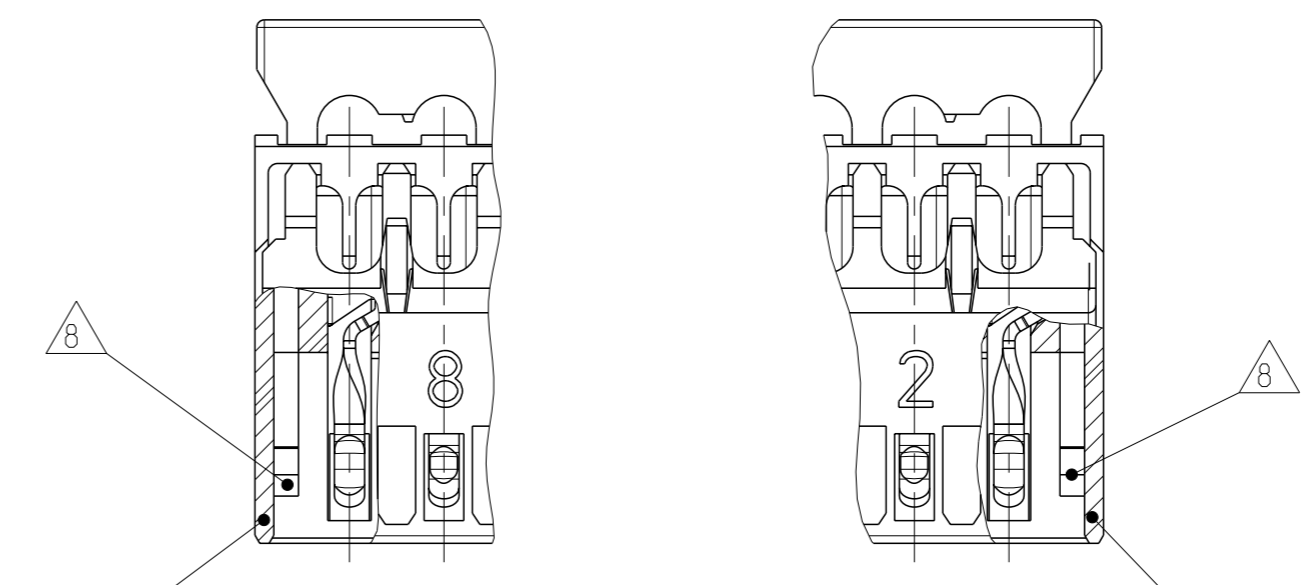
LOC	DIST	REVISIONS			
		REV	DATE	BY	APPV
A1	-	B31	ECR-23-162860	02FEB2023	TL FL
		B32	ECR-22-154280	10MAR2023	SM FL
		B33	ECR-23-180703	03AUG2023	SP FL
		B34	ECR-23-182326	21AUG2023	SM FL



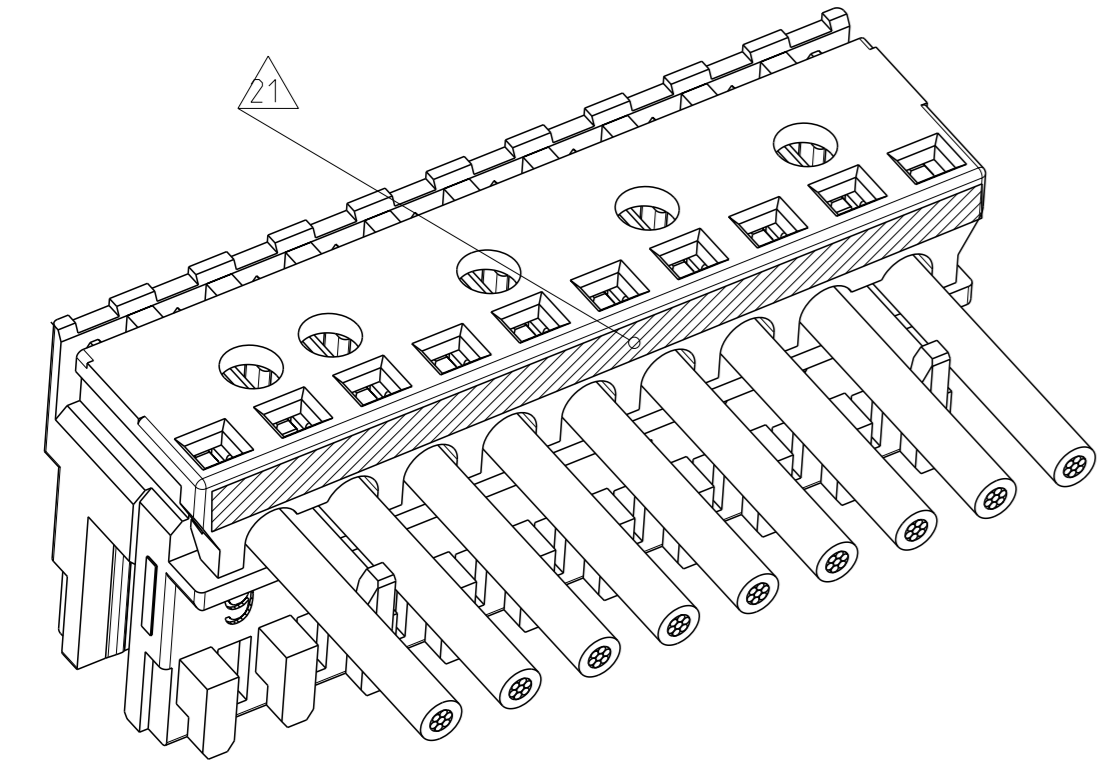
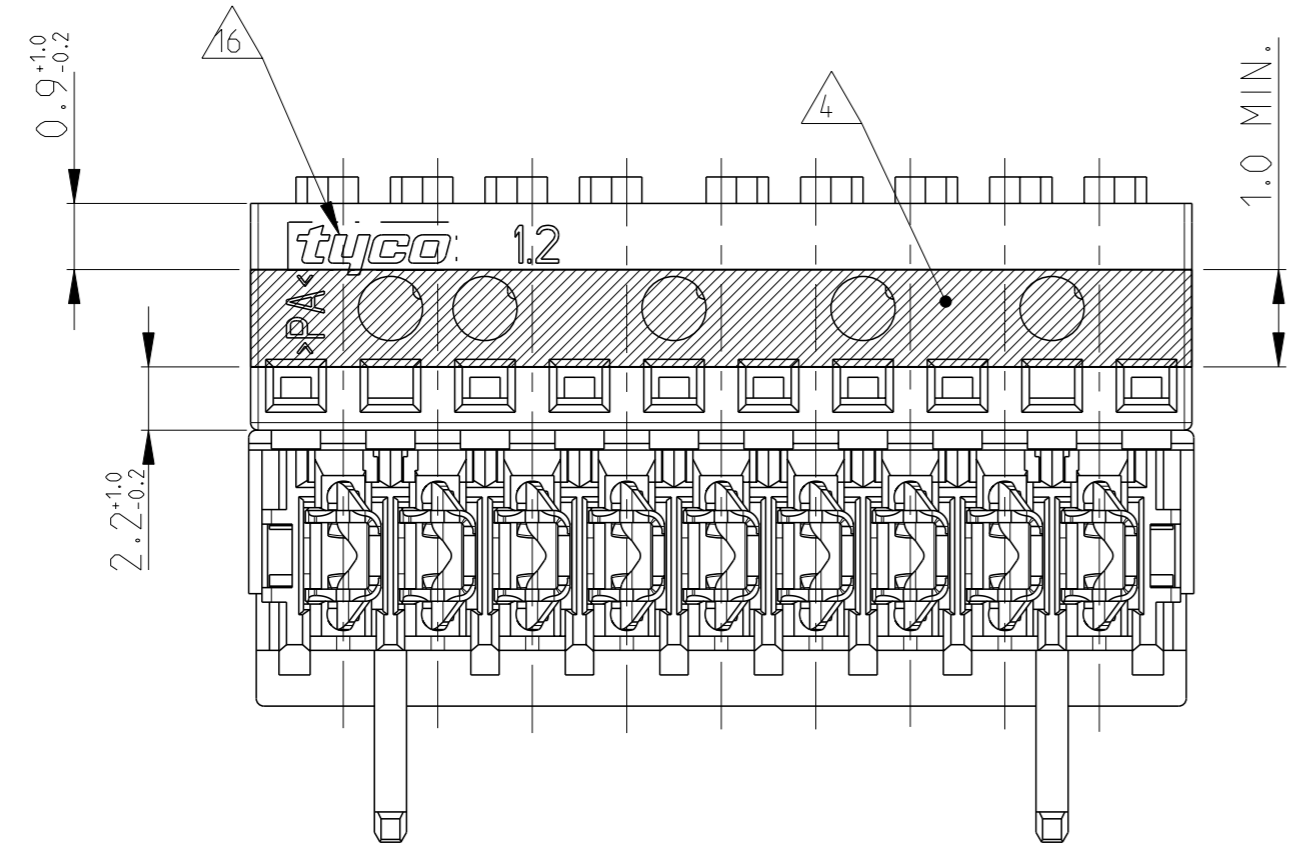
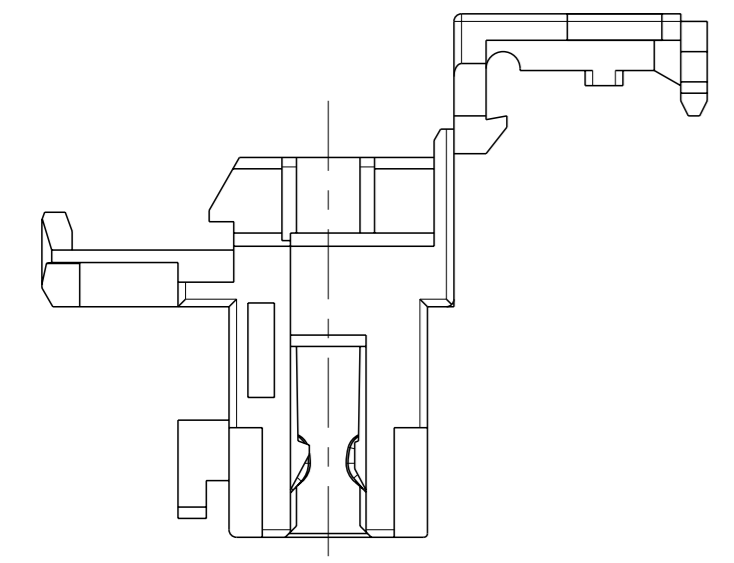
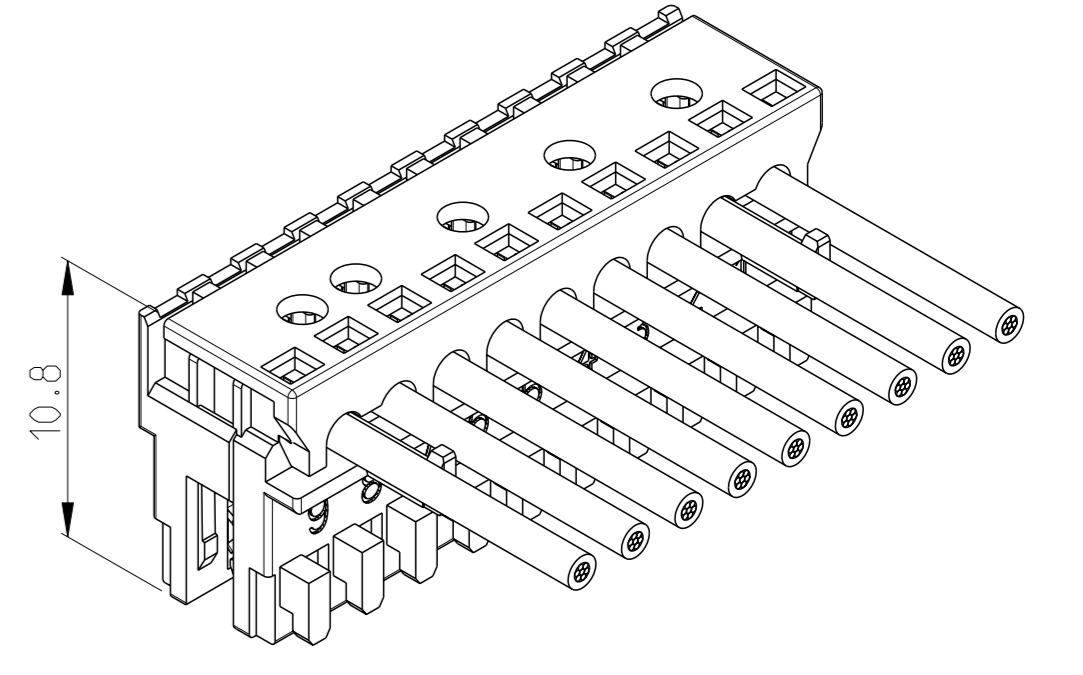
SECTION A-A
Schnitt



SIDE KEYING
Seitenkodierung



SECTION A-A
Schnitt

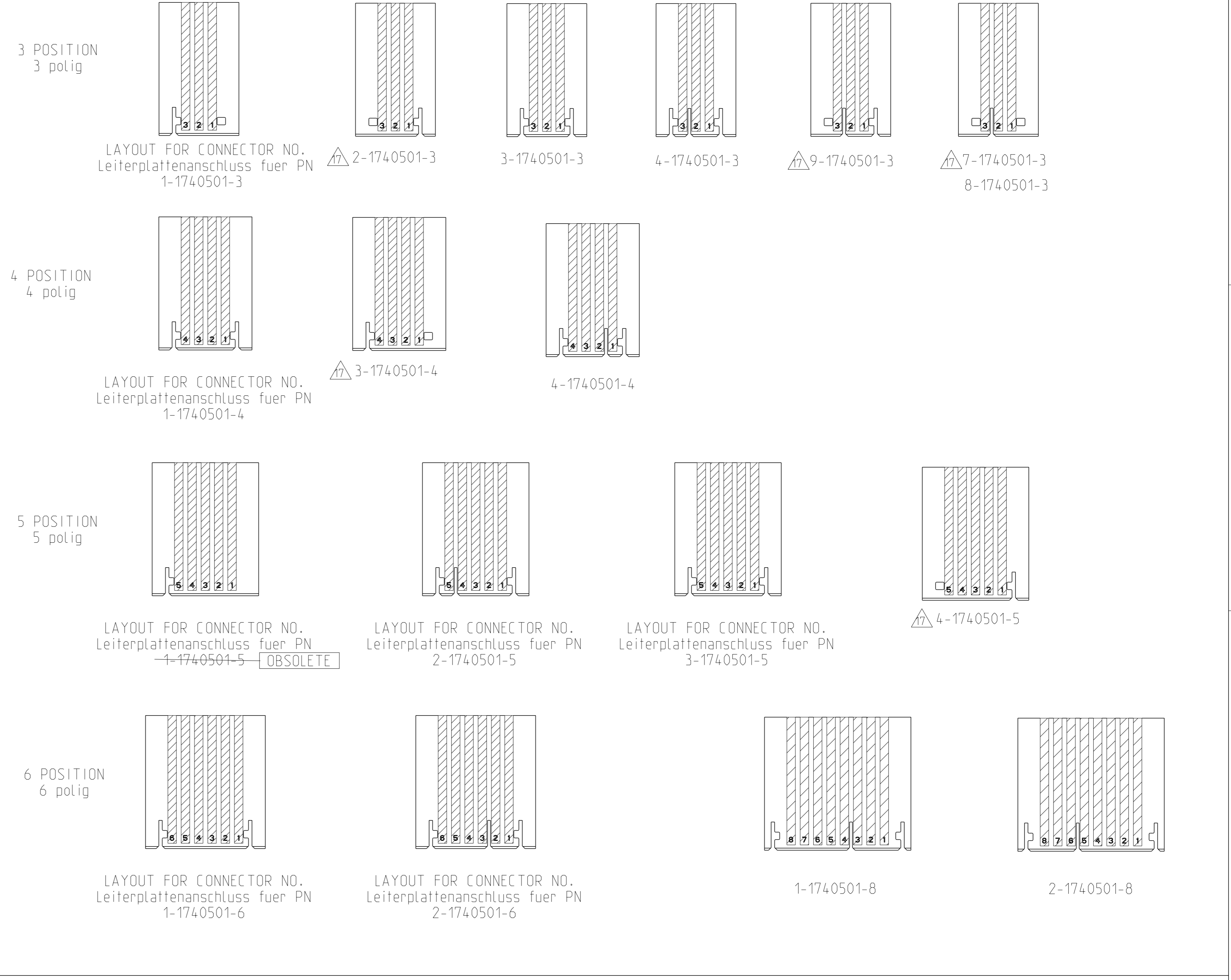
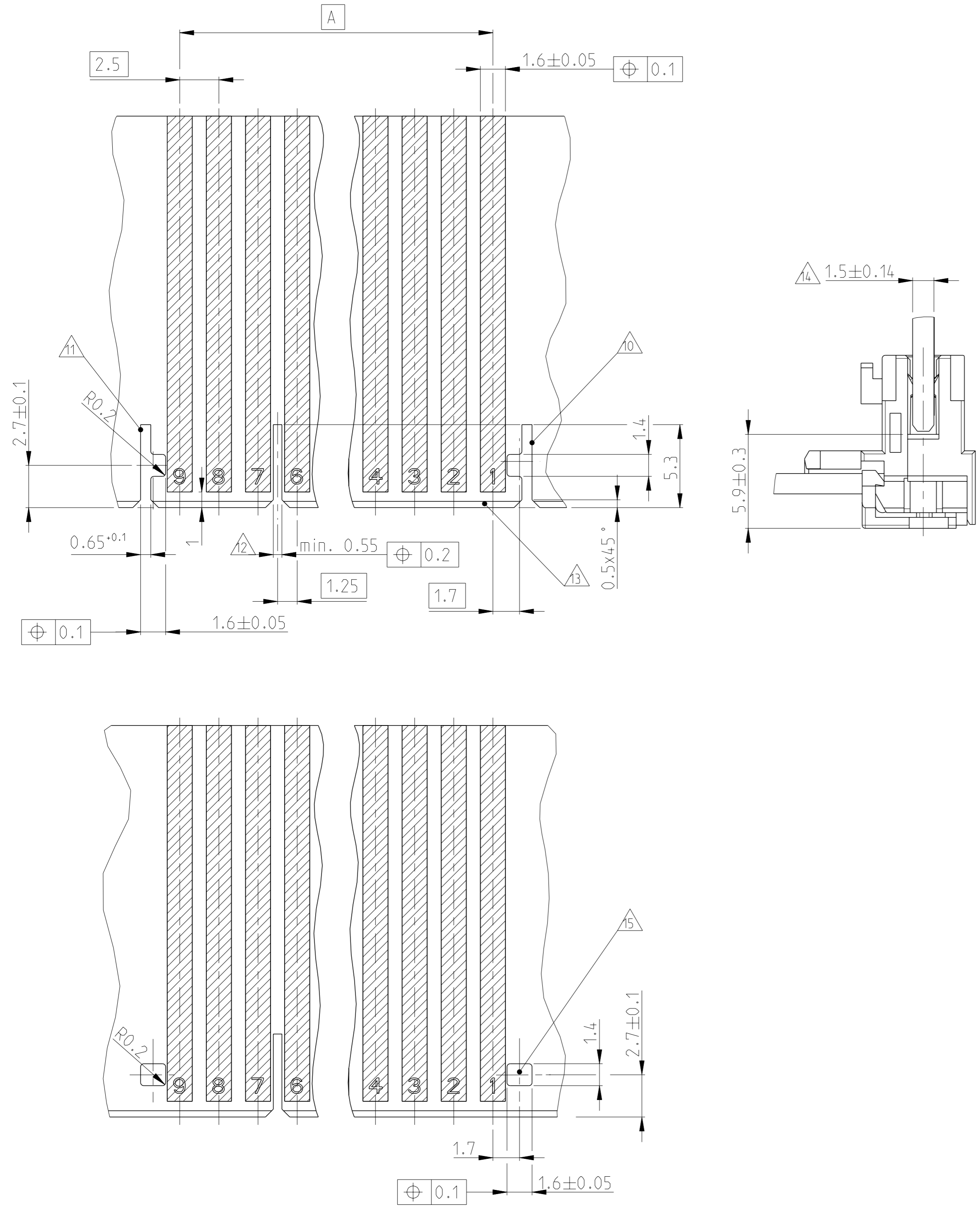


- △ P/N RELEASED WITH PENDING AGENCY APPROVAL
- △ 21 STRIPE IN YELLOW COLOR WHERE SHOWN PRESENT ON THE PARTS PRODUCED IN TE COLLEGNO ONLY
- △ 20 OBSOLETE
- △ 19 SPECIAL PCB LOCKING SEE SHEET 3
- △ 18 SPECIAL PCB LOCKING SEE SHEET 3
- △ 17 PRELIMINARY PART NOT YET RELEASED FOR PRODUCTION
- △ 16 TE LOGO
- △ 15 SEE SHEET 2
Siehe Blatt 2
- △ 9 IEC 60695-2-11 / IEC 60335-1 GLOW WIRE TEST 750 °C WITHOUT FLAME
IEC 60695-2-11 / IEC 60335-1 Gluehdrahttest 750 °C ohne Flamme
- △ 8 LOCKING HOOK BEFORE CAVITY NO. 1 AND AFTER LAST CAVITY
Rasthaken vor Kammernummer Nr. 1 und nach letzter Kammer
- △ 7 ADDITIONAL KEYING RIB BETWEEN CAVITY NO.
Zusätzliche Kodierrippe zwischen Kammer Nr.
- △ 6 SIDE KEYING, ON LAST CAVITY
Seitenkodierung, bei letzter Kammer
- △ 5 SIDE KEYING, ON CAVITY NO. 1
Seitenkodierung, bei Kammer Nr. 1
- △ 4 COLOR STRIP ON COVER OF HOUSING. NOT THE COLOR OF HOUSING
- 3 MATING PART: PCB ACCORDING TO SHEET 2 OF 2
Passender Gegenstecker: Leiterplatten siehe Blatt 2 von 2
- 2 WIRE RANGE: 0.22-0.35mm². SEE APPLICATION SPEC. 114-18467
Drahtgroessenbereich: 0.22-0.35mm², siehe Verarbeitungsspec. 114-18467
- △ 1 KEYING RIBS; CUTTING WITH TERMINATION MACHINE POSSIBLE
Kodierrippe; Schneiden auf der Verarbeitungsmaschine moeglich

2	SEE TABLE siehe Tabelle	CONTACT/Kontakt	CuSn	TINNED/Verzinkt
1		HOUSING/Gehauese	PA 6 GF UL94V-2	NATURE/natur
POS. Polzahl	PN Bestell-Nr.	DESCRIPTION Beschreibung	MATERIAL	COLOR/FINISH Farbe/Oberflaeche
DIMENSIONS: mm 		TOLERANCES UNLESS OTHERWISE SPECIFIED: 0 PLC ±0.2 1 PLC ±0.2 2 PLC ±0.2 3 PLC ±0.2 4 PLC ± ANGLES FINISH ±°		
MATERIAL SEE TABLE		THIS DRAWING IS A CONTROLLED DOCUMENT. DWG: H. Alzmann 27.10.2005 CHK: B. Schnaubelt 27.10.2005 APV: T. Kleinler 27.10.2005 NAME: AMP DUOPLUG 2.5 MK11 FEMALE CONNECTOR 3-20 POSITION (WITH PCB LOCKING) PRODUCT SPEC: 108-18785 APPLICATION SPEC: 114-18467 WEIGHT: - CUSTOMER DRAWING		
SCALE: 5:1		SHEET 1 OF 3		REV: B34

PCB LAYOUT IN GENERAL
Leiterplattenanschluss allgemein

3-20 POSITION
3-20 polig



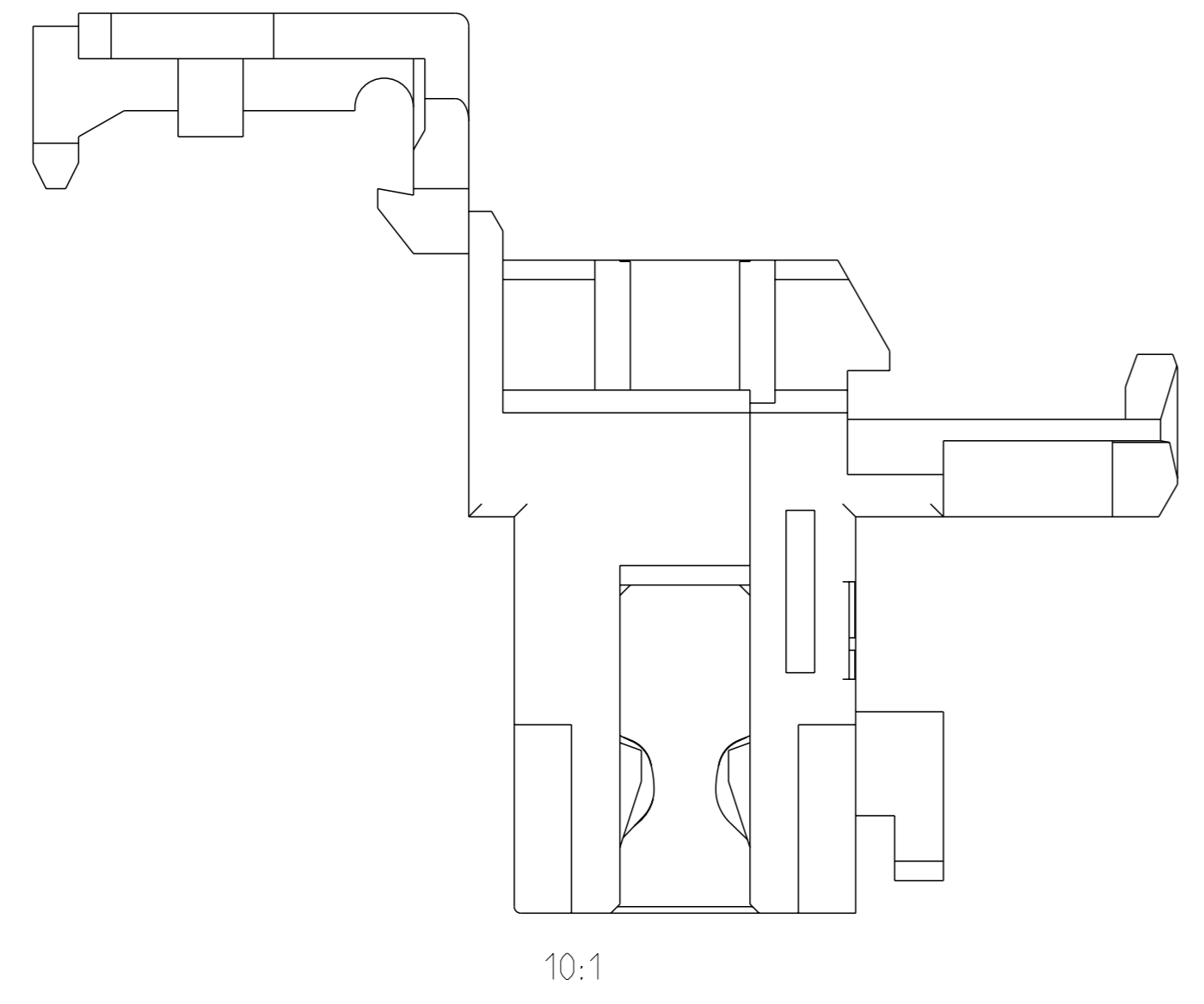
- △1 WINDOW FOR LOCKING HOOK
Fenster fuer Rasthaken
- △10 INCLUSIVE COPPER CLADDING, SINGLE OR DOUBLE SIDED
Inklusive Kupferkaschierung, ein oder doppelseitig
- △3 PCB TO BE PREFERABLY CHAMFERED
Leiterplatte vorzugsweise angefast
- △2 SLOT FOR ADDITIONAL KEYING RIB BETWEEN CAVITY NO.
Schlitz fuer zusaetzliche Kodierrippe zwischen Kammer Nr.
- △1 SLOT FOR SIDE KEYING, ON LAST CAVITY
Schlitz fuer Seitenkodierung, bei letzter Kammer
- △10 SLOT FOR SIDE KEYING, ON CAVITY NO. 1
Schlitz fuer Seitenkodierung, bei Kammer Nr. 1
- △1 - △9 SEE SHEET 1
Siehe Blatt 1

LOC	DIST	REVISIONS			
		REV	DATE	BY	APPV
		-			
		SEE SHEET 1			

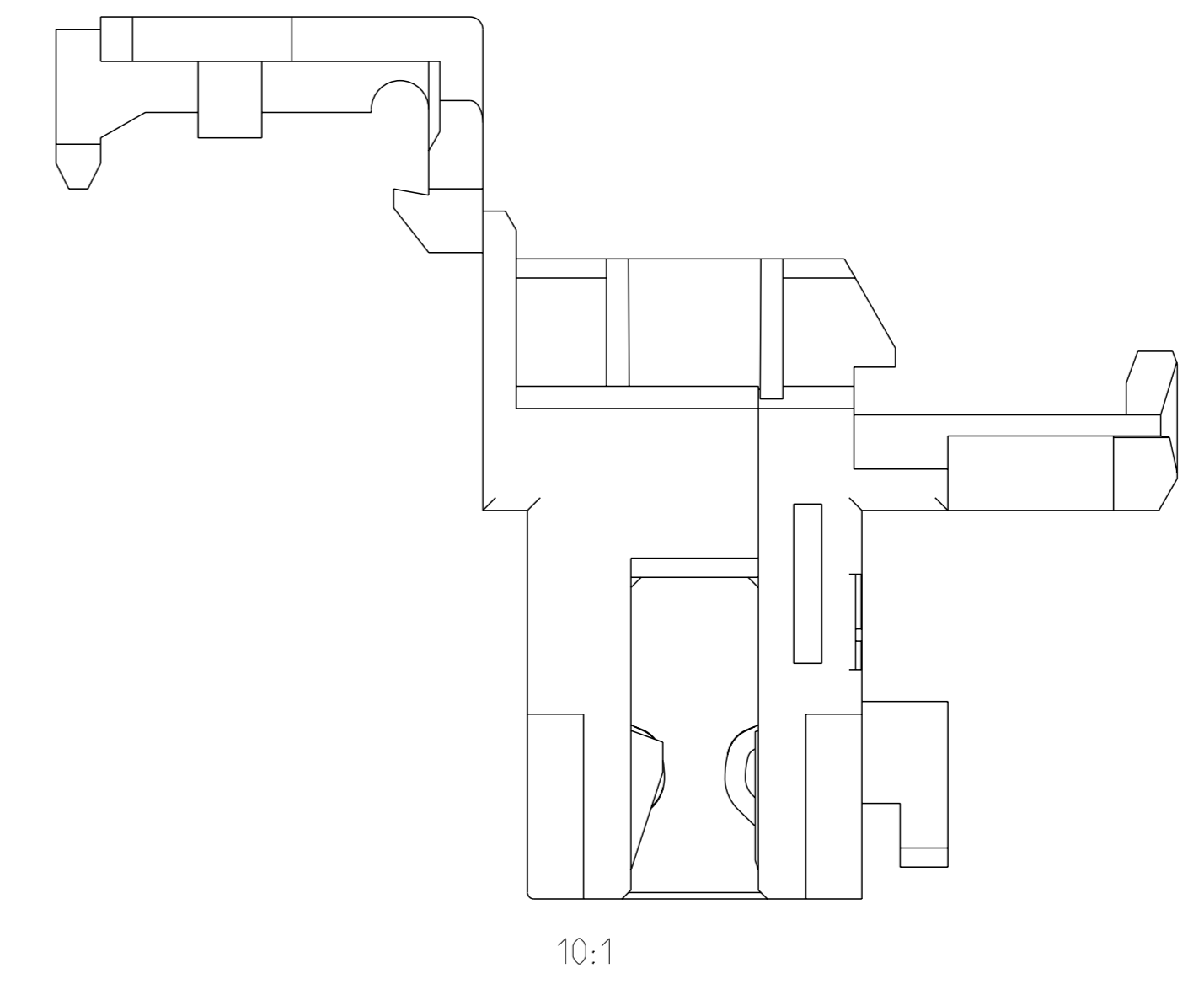
THIS DRAWING IS A CONTROLLED DOCUMENT.		OWN H. Alzmann	27.10.2005	STE TE Connectivity
DIMENSIONS: mm		CHK B. Schnaubelt	27.10.2005	
TOLERANCES UNLESS OTHERWISE SPECIFIED:		APV T. Klenner	27.10.2005	NAME AMP DUOPLUG 2.5 MKII FEMALE CONNECTOR 3-20 POSITION (WITH PCB LOCKING)
0 PLC ±0.2 1 PLC ±0.2 2 PLC ±0.2 3 PLC ±0.2 4 PLC ± ANGLES ±°		PRODUCT SPEC 108-18785	APPLICATION SPEC 114-18467	
MATERIAL SEE TABLE		WEIGHT		SIZE A1
		CUSTOMER DRAWING		SCALE 7:1
				SHEET 2 OF 3
				REV B34

LOC	DIST	REVISIONS			
P	LYR	DESCRIPTION	DATE	OWN	APVD
-	-	SEE SHEET 1	-	-	-

18 SPECIAL PCB LOCKING VERSION



19 SPECIAL PCB LOCKING VERSION



PA GF, GWEPT 750 °C NO FLAME & UL94-V2, TIN PLATED VERSION

Color Code	POS. Polzahl	DIM "A"	DIM "B"	7	6	5	19	18	8	PN Bestell-Nr.
4				KEYING	KEYING	KEYING	LOCKING HOOK	LOCKING HOOK	LOCKING HOOK	
	20	47.5	52.4							
	19	45	49.9							
	18	42.5	47.4							
	17	40	44.9							
	16	37.5	42.4							
	15	35	39.9							
	14	32.5	37.4							
	13	30	34.9							
	12	27.5	32.4							
	11	25	29.9							
	10	22.5	27.4	2/3					X	1-1740501-0
	9	20	24.9							
	8	17.5	22.4	5/6	X	X			X	2-1740501-8
				3/4	X	X			X	1-1740501-8
				2/3	X	X				1740501-8
	7	15	19.9	5/6	X	X			X	1740501-7
	6	12.5	17.4	2/3	X	X			X	2-1740501-6
	6	12.5	17.4	-	X	X			X	1-1740501-6
	5	10	14.9	-	-	X			X	4-1740501-5
	5	10	14.9	-	X	X			X	3-1740501-5
	5	10	14.9	4/5	X	X			X	2-1740501-5
	5	10	14.9	-	X	-			X	1-1740501-5
	4	7.5	12.4	1/2	X	X			X	4-1740501-4
	4	7.5	12.4	-	X	-			X	3-1740501-4
	4	7.5	12.4	3/4	X	X			X	2-1740501-4
	4	7.5	12.4	-	X	X			X	1-1740501-4
	3	5.0	9.9	2/3	-	-			X	8-1740501-3
	3	5.0	9.9	2/3	-	-	X		-	7-1740501-3
	3	5.0	9.9	2/3	-	X			X	9-1740501-3
	3	5.0	9.9	1/2	X	X			X	6-1740501-3
Green	3	5.0	9.9	1/2	-	-			X	5-1740501-3
	3	5.0	9.9	2/3	X	X			X	4-1740501-3
	3	5.0	9.9	-	X	X			X	3-1740501-3
	3	5.0	9.9	-	-	X			X	2-1740501-3
Red	3	5.0	9.9	-	X	-			X	1740501-3
Green	3	5.0	9.9	-	X	-			X	1-1740501-3
	2	2.5	7.4	-	-	X			X	1740501-2

PA GF, GWEPT 750 °C NO FLAME & UL94-V0, TIN PLATED VERSION

Color Code	POS. Polzahl	DIM "A"	DIM "B"	7	6	5	19	18	8	PN Bestell-Nr.
4				KEYING	KEYING	KEYING	LOCKING HOOK	LOCKING HOOK	LOCKING HOOK	
	10	22.5	27.4	2/3	X	X			X	1-2421983-0
	8	17.5	17.5	5/6	X	X			X	2-2421983-8
	7	15	19.9	6/7	X	X			X	2421983-7
	5	10	14.9	2/3	X	X			X	3-2421983-5

THIS DRAWING IS A CONTROLLED DOCUMENT.

DIMENSIONS: mm	TOLERANCES UNLESS OTHERWISE SPECIFIED:	0 PLC ±0.2	1 PLC ±0.2	2 PLC ±0.2	3 PLC ±0.2	4 PLC ±0.2	ANGLES ±°	FINISH	114-18467	WEIGHT	114-18467	SCALE	5:1	SHEET	3 OF 3	REV	B34
----------------	--	------------	------------	------------	------------	------------	-----------	--------	-----------	--------	-----------	-------	-----	-------	--------	-----	-----

OWN: H. Alzmann 27.10.2005
 CHK: B. Schnaubelt 27.10.2005
 APVD: T. Klenner 27.10.2005

NAME: AMP DUOPLUG 2.5 MKII FEMALE CONNECTOR 3-20 POSITION (WITH PCB LOCKING)

SIZE: A1 CAGE CODE: 00779 DRAWING NO: 1740501

MATERIAL: SEE TABLE

CUSTOMER DRAWING