

6

5

4

3

2

1

D

C

B

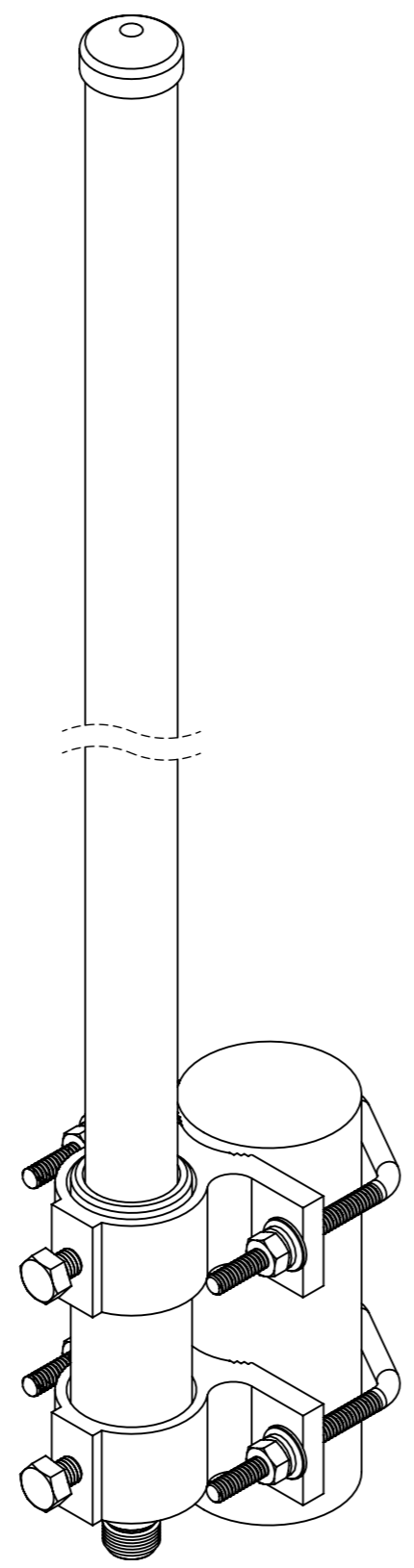
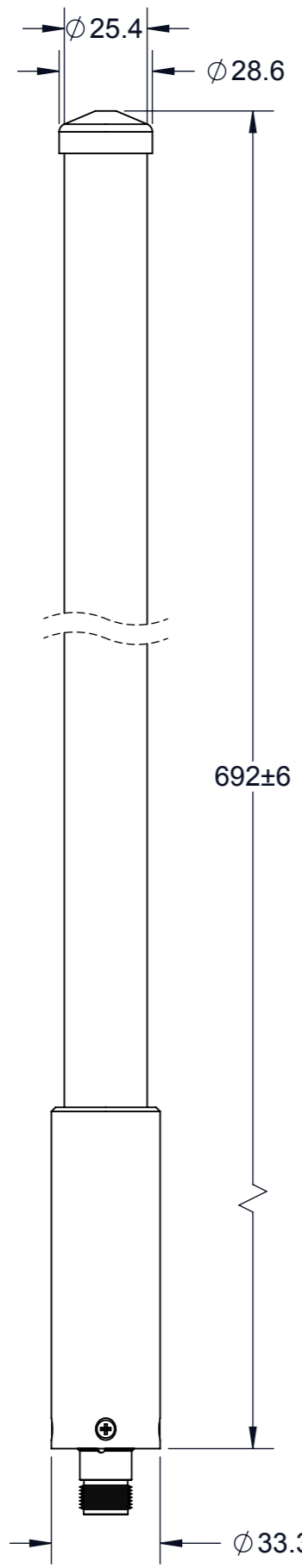
A

D

C

B


A



REVISIONS					
REV.	ECN#	ZONE	DESCRIPTION	CHANGED BY/DATE	APPROVED BY/DATE
F01	ECN-IAS-06119		PRODUCTION RELEASE	S.J. 28MAR17	S.J. 28MAR17
F02	ECN-IAS-06153		FREQUENCY WAS 840-868 MHz, GAIN WAS 5.5 dBi	S.J. 17APR17	J.S. 17APR17

Parameter	Performance
Model Number	OF84005-FNF
Frequency, MHz	840-870
Peak Gain (Max), dBi	5.4
VSWR (Max)	1.8:1
Azimuth 3 dB Beamwidth, °	360
Elevation 3 dB Beamwidth, °	26
Impedance, Ω	50
Polarization	Vertical
Anti Static Protection	DC Grounded
Max Power (Ambient 25°C), Watts	50
RF Connector	Fixed Type N (f)
Weight (With Mounting Kit), kg (lbs)	0.79 (1.7)
Antenna Color	White
Radome	Fiberglass
Wind Operational, km/h (mph)	161 (100)
Wind Survival, km/h (mph)	266 (165)
Operational Temperature, °C	-40 to +70
Storage Temperature, °C	-40 to +85
Ingress Protection	IP-67
Material Substance Compliance	RoHS

THIS DRAWING IS UNPUBLISHED. RELEASED FOR PUBLICATION
 © Copyright 2022 TE Connectivity Ltd. ALL RIGHTS RESERVED.

MATERIAL: N/A		THIRD ANGLE PROJECTION			
FINISH: N/A		DO NOT SCALE DRAWING			
APPROVALS		DATE		TITLE: OF84005-FNF	
DRAWN BY	S. JOHNSON	14OCT16			
ELEC. ENG.	J. SKLADANY	29MAR17			
MECH. ENG.	M. MCGINNIS	29MAR17			
MFG./OPS.	B. THATCHER	29MAR17		SIZE A3	
INTERPRET DIMENSIONING AND TOLERANCING IN ACCORDANCE WITH ASME Y14.5M-2009 TOLERANCES UNLESS OTHERWISE SPECIFIED DIMENSIONS ARE IN MILLIMETERS				DWG. NO. OF84005-FNFM0	
ANGLE: ±30' 0 PLACE DECIMAL: ±0.5 1 PLACE DECIMAL: ±0.25 2 PLACE DECIMAL: ±0.13 SURFACE ROUGHNESS $1.6/\sqrt{\quad}$				REV F02	
SCALE: 1:2				PREVIOUS#	
SHEET 1 OF 2					

6

5

4

3

2

1

6

5

4

3

2

1

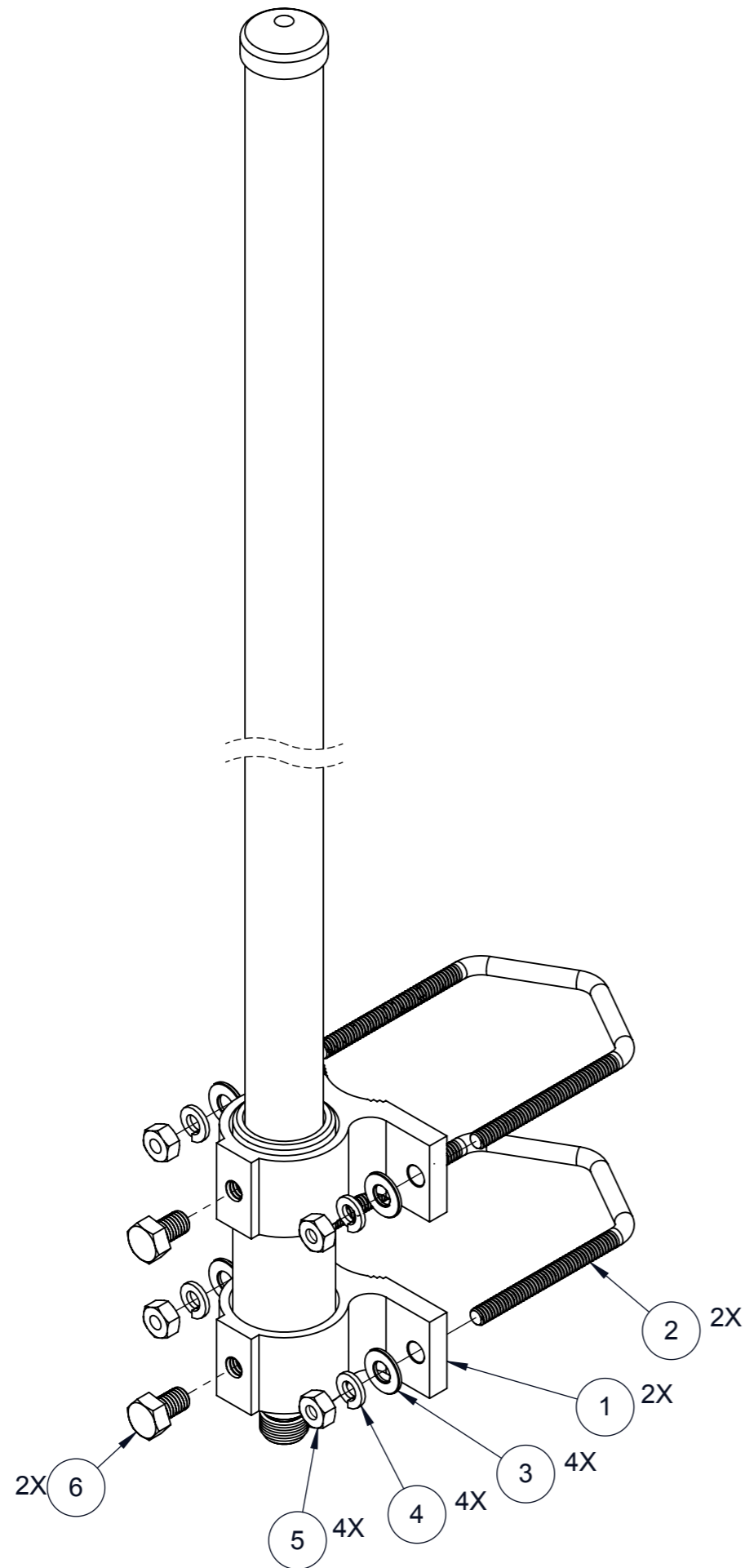
THIS DRAWING IS UNPUBLISHED.

RELEASED FOR PUBLICATION

- , - .

© Copyright 2022 TE Connectivity Ltd.

ALL RIGHTS RESERVED.



6	HWR1200	BOL,HEX,5/16-18x1/2,SS,NF	2
5	HWR2000	1/4" - 20 NUT	4
4	HWR5100	1/4" - 20 LOCK WASHER	4
3	HWR5150	Washer, Flat for 1/4" Hardware	4
2	HWR9150	CLAMP,VBOLT,1/4-20,ST,NF	2
1	ALE5000	BKT,EXT,AL,FOR FM2	2
ITEM NO.	PART NUMBER	DESCRIPTION	QTY



SIZE
A3

DWG. NO.
OF84005-FNFMO

REV
F02

SCALE: 1:2

PREVIOUS#

SHEET 2 OF 2

6

5

4

3

2

1