

6

5

4

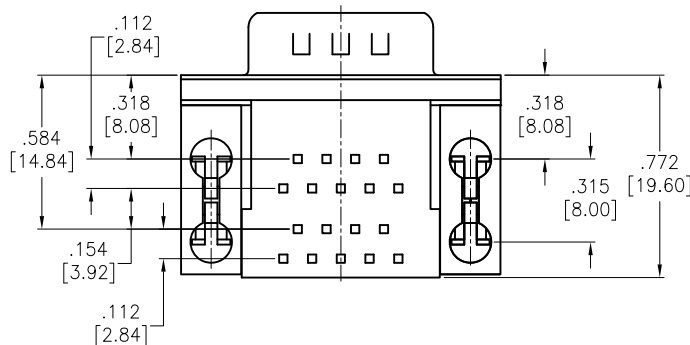
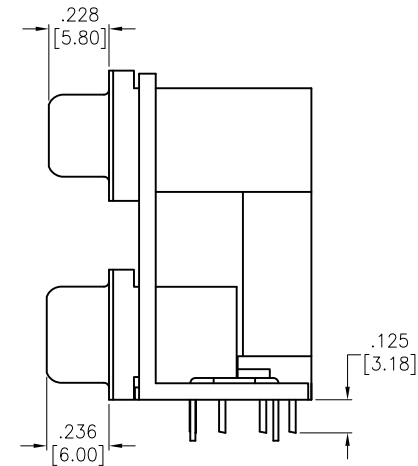
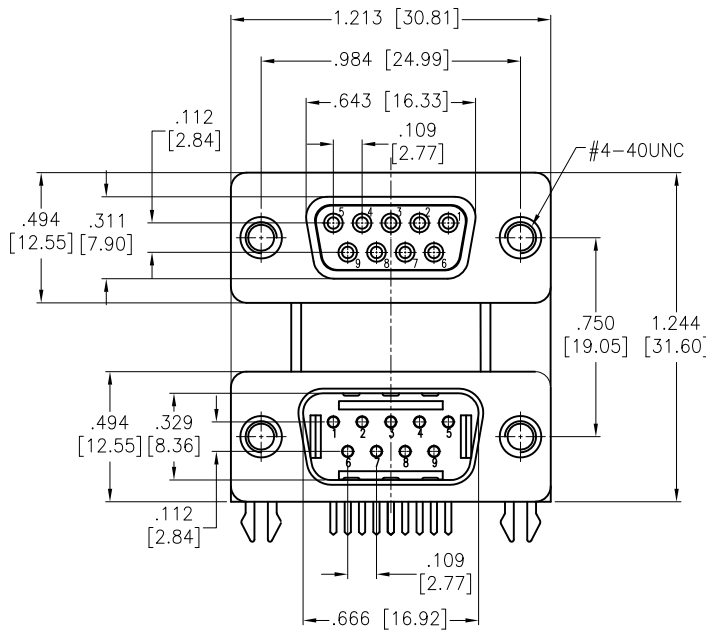
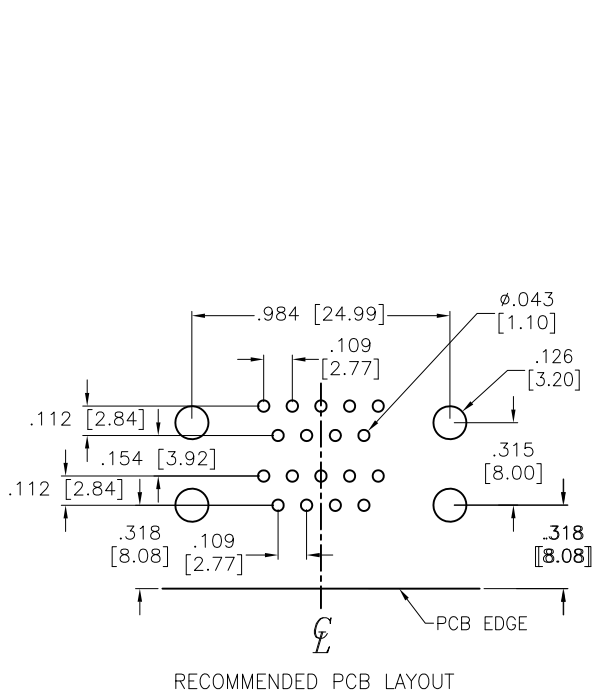
3

2

1

APPROVED: _____
 DATE: _____ TITLE: _____

Rev	AWO #	Description	Date	Appr
-		RELEASED	1/10/13	



SPECIFICATIONS:
 Material:
 Insulator: PBT, rated UL 94V-0
 Insulator color: Black
 Contacts: Copper Alloy
 Shell: SPCC, Nickel plated
 Boardlock: Copper Alloy, Tin, plated
 Bracket: Zinc Alloy, Nickel plated
 Plating:
 Gold over Nickel underplate on contact area,
 Tin over Nickel underplate on solder tails
 Electrical:
 Voltage: 250 VAC max
 Current rating: 3 Amp per Contact
 Contact resistance: 25 mohms max
 Insulation resistance: 5,000 Mohms min
 Dielectric withstanding voltage: 1000 VAC for 1 minute
 Temperature Rating:
 Operating temperature: -55°C to +85°C
 Environmental:
 Lead free, RoHS compliant



UNLESS OTHERWISE SPECIFIED
 ALL DIMENSIONS ARE MILLIMETERS
 TOLERANCES: EXCEPT AS NOTED

INCHES		HOLES	
.X	± .10	∅X	± .10
.XX	± .020	∅XX	± .015
.XXX	± .015	∅XXX	± .010

APPROVALS		DATE
DRAWN	AY	1/23/18
CHECKED	MY	1/23/18
APPROVED		

ADAM TECH
 INTERCONNECTS
 909 Rahway Avenue,
 Union, NJ 07083
 Phone: 908-687-5000
 Fax: 908-687-5710

TITLE DUAL PORT D-SUB, 09 FEMALE / 09 MALE W / BOARDLOCKS			
SIZE X	PART NO. DPD-09-01-B3	REV. -	
REF: S00027T	SCALE: NTS	SHEET 1 OF 1	

6

5

4

3

2

1