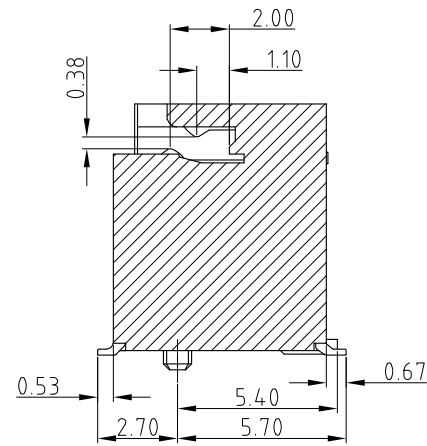
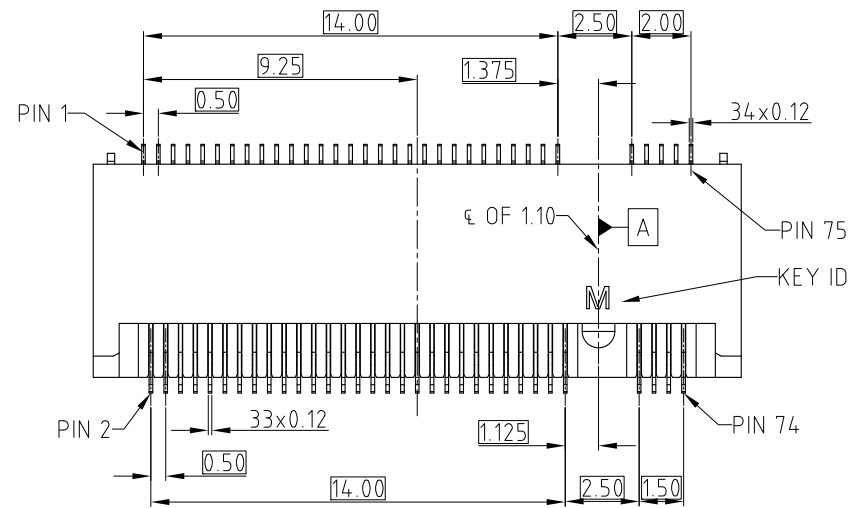


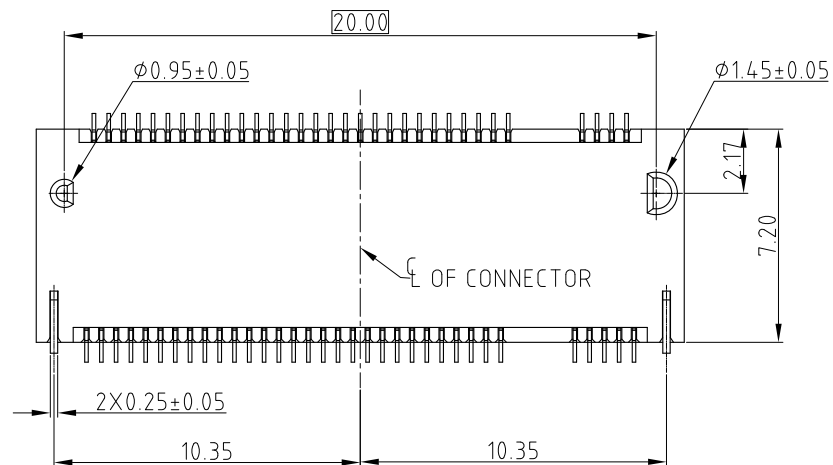
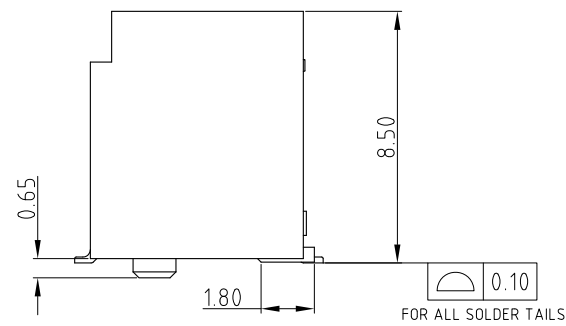
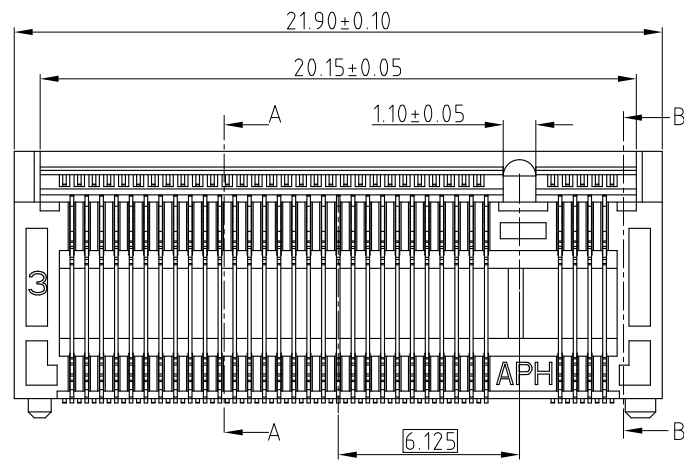
This document is the property of Amphenol Corporation and is delivered on the express condition that it is not to be disclosed, reproduced or used, in whole or in part, for manufacture or sale by anyone other than Amphenol Corporation without its prior consent, & that no right is granted to disclose or to use any information in this document.

# CUSTOMER DRAWING

REVISIONS				
SYM	ECN	DESCRIPTION	DATE	APPROVED
1	CDXXXX	PROPOSAL DRAWING	Jan.19,2020	YH
1	CD2218	OFFICIAL RELEASE	Jan.19,2020	YH



SECTION A-A



NOTE:

- MATERIAL:  
 PLASTIC: LCP, UL 94V-0, BLACK  
 CONTACT: COPPER ALLOY  
 BOARD LOCK: ALLOY
- FINISHED:  
 CONTACT AREA: 0.76um MIN Au PLATED  
 SOLDER AREA: GOLD FLASH  
 BOARD LOCK: 2.54um MIN TIN PLATED  
 UNDERPLATED: 1.27um MIN NICKEL PLATED
- ELECTRICAL PERFORMANCE:  
 3.1 CURRENT RATING: 0.5A PER POWER PIN  
 3.2 DIELECTRIC STRENGTH: 300V AC FOR 1 MINUTE  
 3.3 INSULATION RESISTANCE: 500MΩ MIN  
 3.4 CONTACT RESISTANCE: DELTA 20mΩ MAX  
 3.5 OPERATION TEMPERATURE: -40°C TO +85°C
- DIMENSIONING SHALL BE INTERPRETED PER ASME Y14.5M 1994
- MATERIAL IS FULFILLED RoHS AND HALOGEN FREE
- ORDER P/N: MDT850M01501

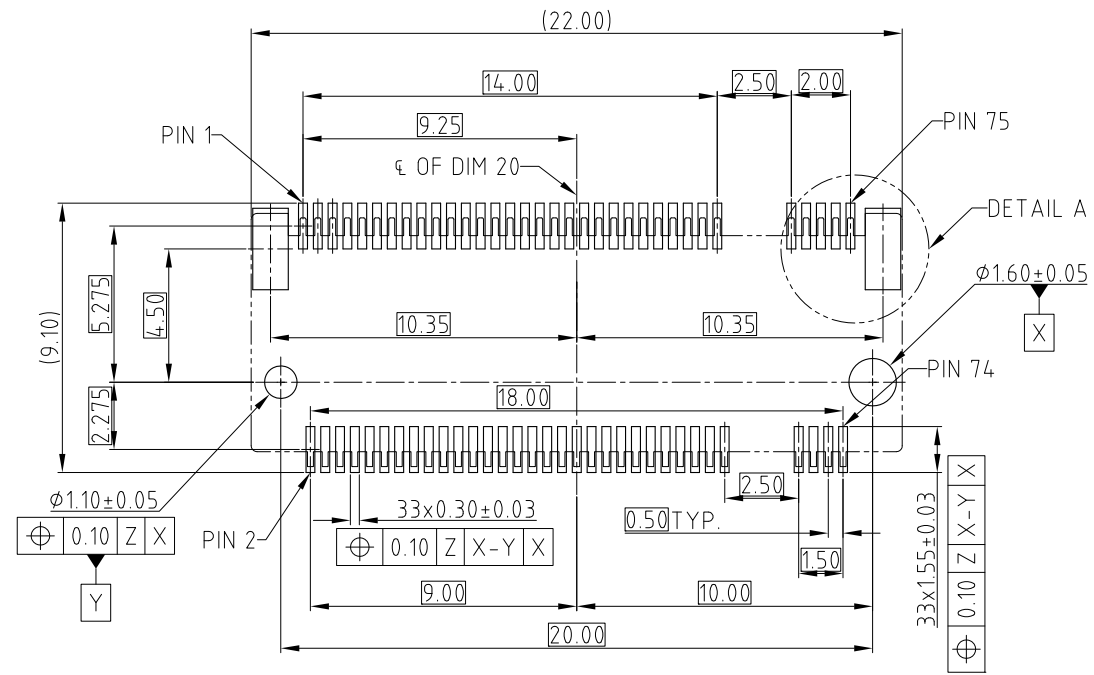


UNLESS OTHERWISE SPECIFIED <b>TOLERANCES</b> U.S.    METRIC .X    +/-    0.50 .XX   +/-    0.25 .XXX +/- FRACTIONS +/- ANGLES +/-    5° FOR MATERIALS AND FINISHES SEE NOTES REMOVE SHARP EDGES DIMENSIONS U.S.    INCHES (METRIC)    (MM)	APPROVAL		DATE		<b>Amphenol</b>  TITLE <b>M.2 MINI PCIe Gen5 CONNECTOR</b>  SIZE    DRAWING NO.    REV. <b>A3    C MDT850M01501    1</b>  SCALE    NONE    SHEET 1 OF 2
	DRAWN	Yunx.liu	Jan.19,2020		
	CHECKED	Ly.yi	Jan.19,2020		
	APPROVED				
DRAWING FILE :		INTERNAL\DRAWING\M.2\CMDT850M01501			
ANGLE OF PROJECTION					

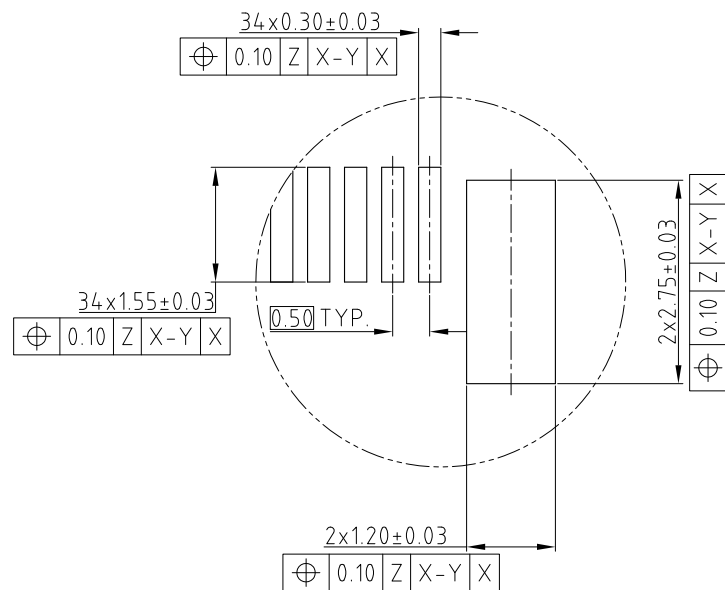
This document is the property of Amphenol Corporation and is delivered on the express condition that it is not to be disclosed, reproduced or used, in whole or in part, for manufacture or sale by anyone other than Amphenol Corporation without its prior consent, & that no right is granted to disclose or to use any information in this document.

# CUSTOMER DRAWING

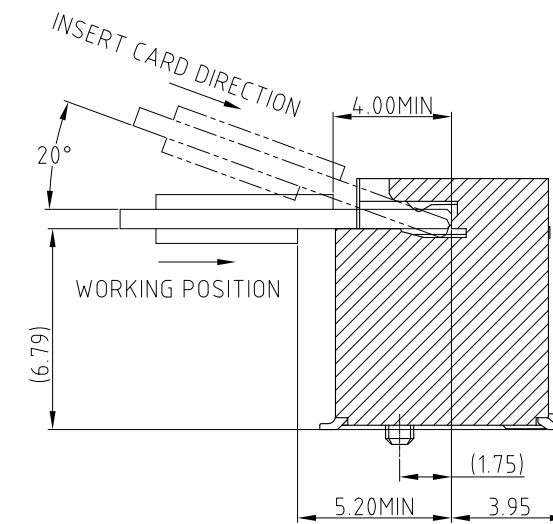
REVISIONS				
SYM	ECN	DESCRIPTION	DATE	APPROVED
		SEE SHEET 1		



RECOMMENDED PCB OUTLINE  
DATUM Z: PCB SOLDER SURFACE



DETAIL A  
SCALE 2.5:1



SECTION B-B



UNLESS OTHERWISE SPECIFIED TOLERANCES U.S. METRIC .X +/- 0.50 .XX +/- 0.25 .XXX +/- FRACTIONS +/- ANGLES +/- 5° FOR MATERIALS AND FINISHES SEE NOTES	APPROVAL		DATE
	DRAWN	Yunx.liu	Jan.19,2020
	CHECKED	Ly.yi	Jan.19,2020
	APPROVED		
REMOVE SHARP EDGES	DRAWING FILE : INTERNAL\DRAWING\M.2\CMDT850M01501		
DIMENSIONS		ANGLE OF PROJECTION	
U.S. (METRIC)	INCHES (MM)		

<b>Amphenol</b>		
TITLE <b>M.2 MINI PCIe Gen5 CONNECTOR</b>		
SIZE <b>A3</b>	DRAWING NO. <b>C MDT850M01501</b>	REV. <b>1</b>
SCALE <b>NONE</b>	SHEET <b>2</b> OF <b>2</b>	