

THIS DRAWING IS UNPUBLISHED.

RELEASED FOR PUBLICATION

ALL RIGHTS RESERVED.

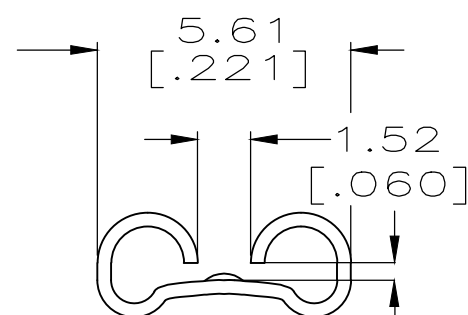
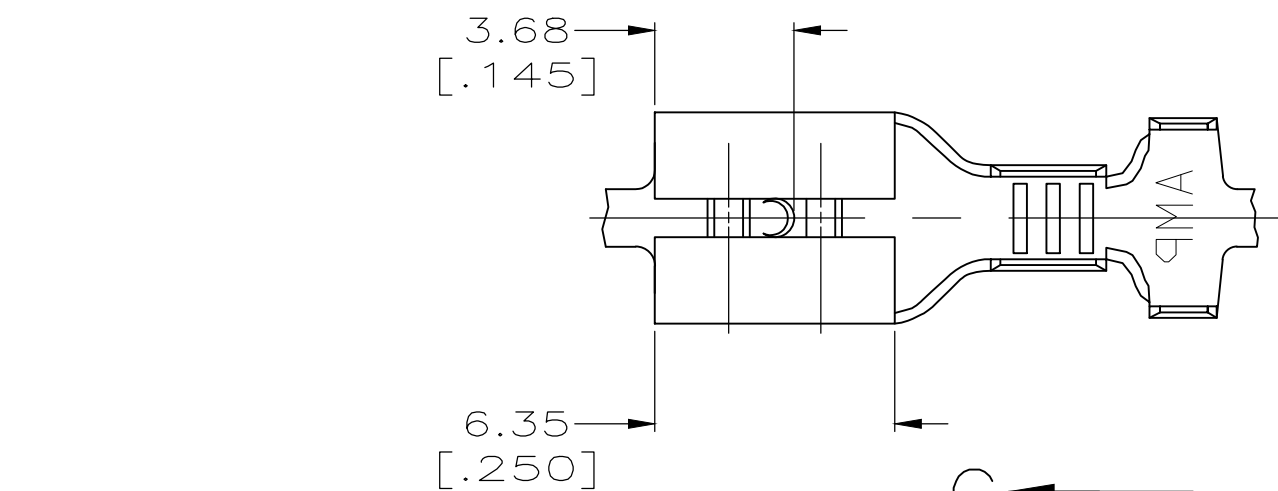
© COPYRIGHT - By -

LOC AF DIST 50

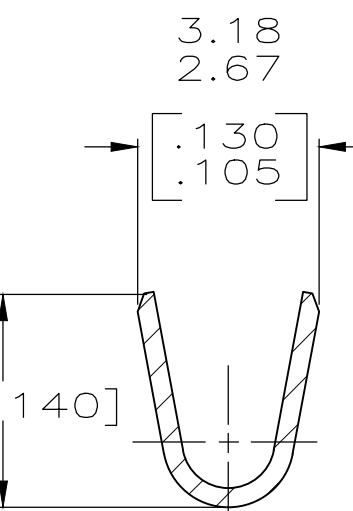
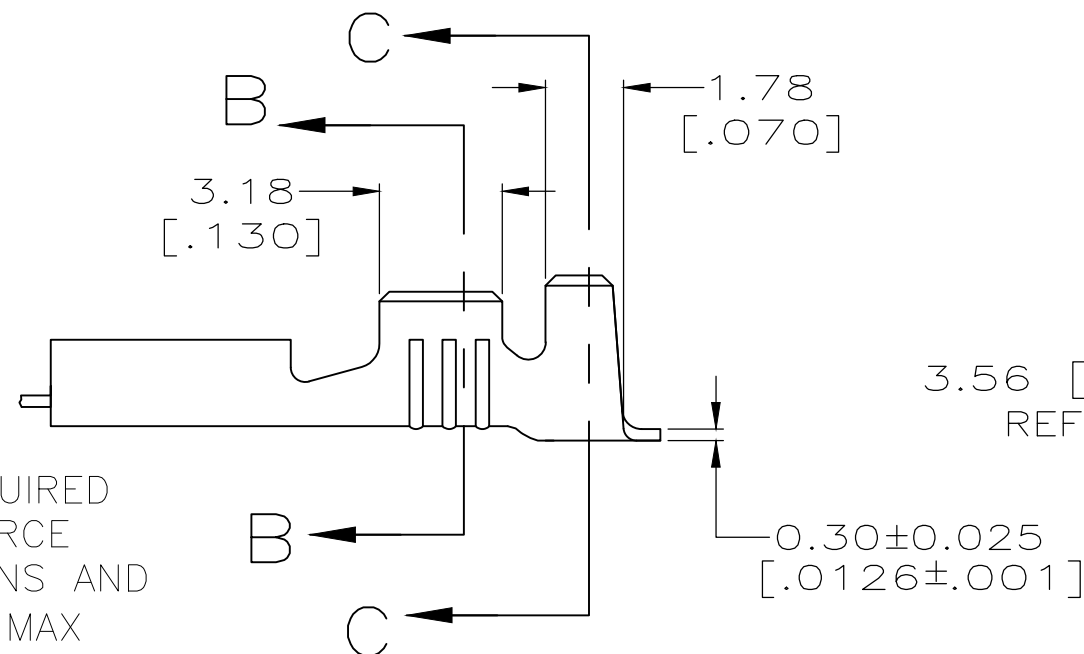
REVISIONS

| P | LTR | DESCRIPTION | DATE | DWN | APVD |
|----|-----|---------------------------|-----------|-----|------|
| C1 | | REVISED PER ECR-20-009164 | 23JUL2020 | MK | DH |

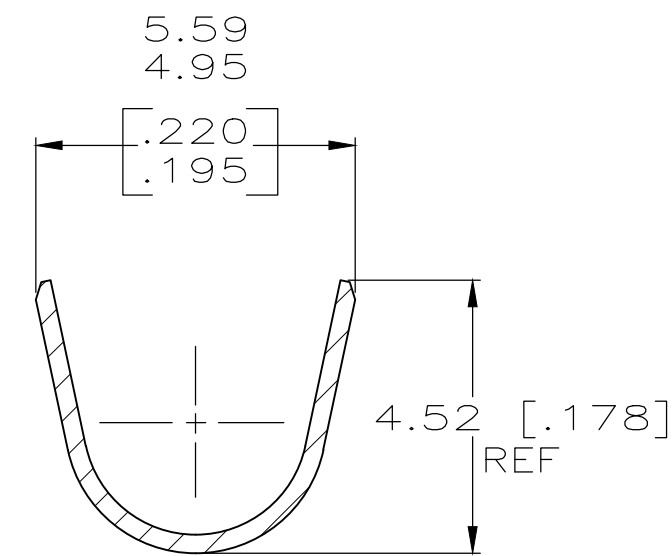
- 1 CONTINUOUS STRIP ON REELS.
- 2 WIRE SIZE IS [#18-#14] AWG.
- 3 INSULATION RANGE IS 2.79-4.06 [.110-.160] DIA.
- 4 MATING TAB THK IS 0.53-0.48 [.021-.019].



GAP AS REQUIRED TO MEET FORCE SPECIFICATIONS AND 0.45 [.018] MAX



SECTION B-B
SCALE 8:1



SECTION C-C
SCALE 8:1

1217149-1
PART NO.

| | | | | | | | |
|---|--|----------------------|---|--------------------|----------------------|-----------------|--------|
| THIS DRAWING IS A CONTROLLED DOCUMENT. | | DWN JR RUTH 6MAY99 | TE Connectivity RECEPTACLE, FASTON™ 4.75 [.187] SERIES | | | | |
| DIMENSIONS: mm [INCHES] | | CHK MS FEHER 6MAY99 | | | | | |
| TOLERANCES UNLESS OTHERWISE SPECIFIED: | | APVD S HEADER 6MAY99 | | | | | |
| 0 PLC ± - 1 PLC ± - 2 PLC ± 0.25 [.010] 3 PLC ± - 4 PLC ± - ANGLES ± - | | NAME | | | | | |
| MATERIAL BRASS | | FINISH TIN | PRODUCT SPEC - | APPLICATION SPEC - | WEIGHT - | | |
| | | | SIZE A3 | CAGE CODE 00779 | DRAWING NO C-1217149 | RESTRICTED TO - | |
| | | | CUSTOMER DRAWING | | SCALE 5:1 | SHEET 1 OF 1 | REV C1 |