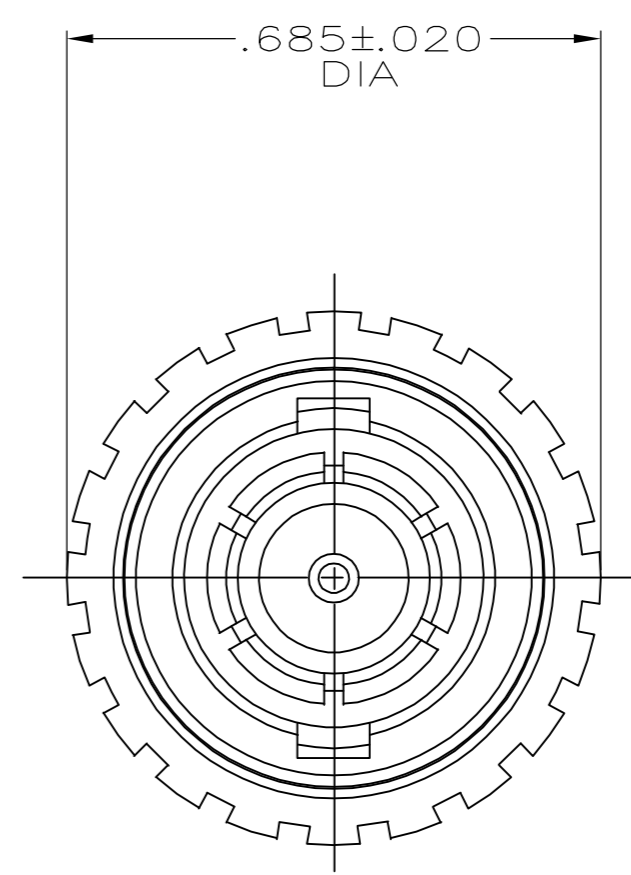
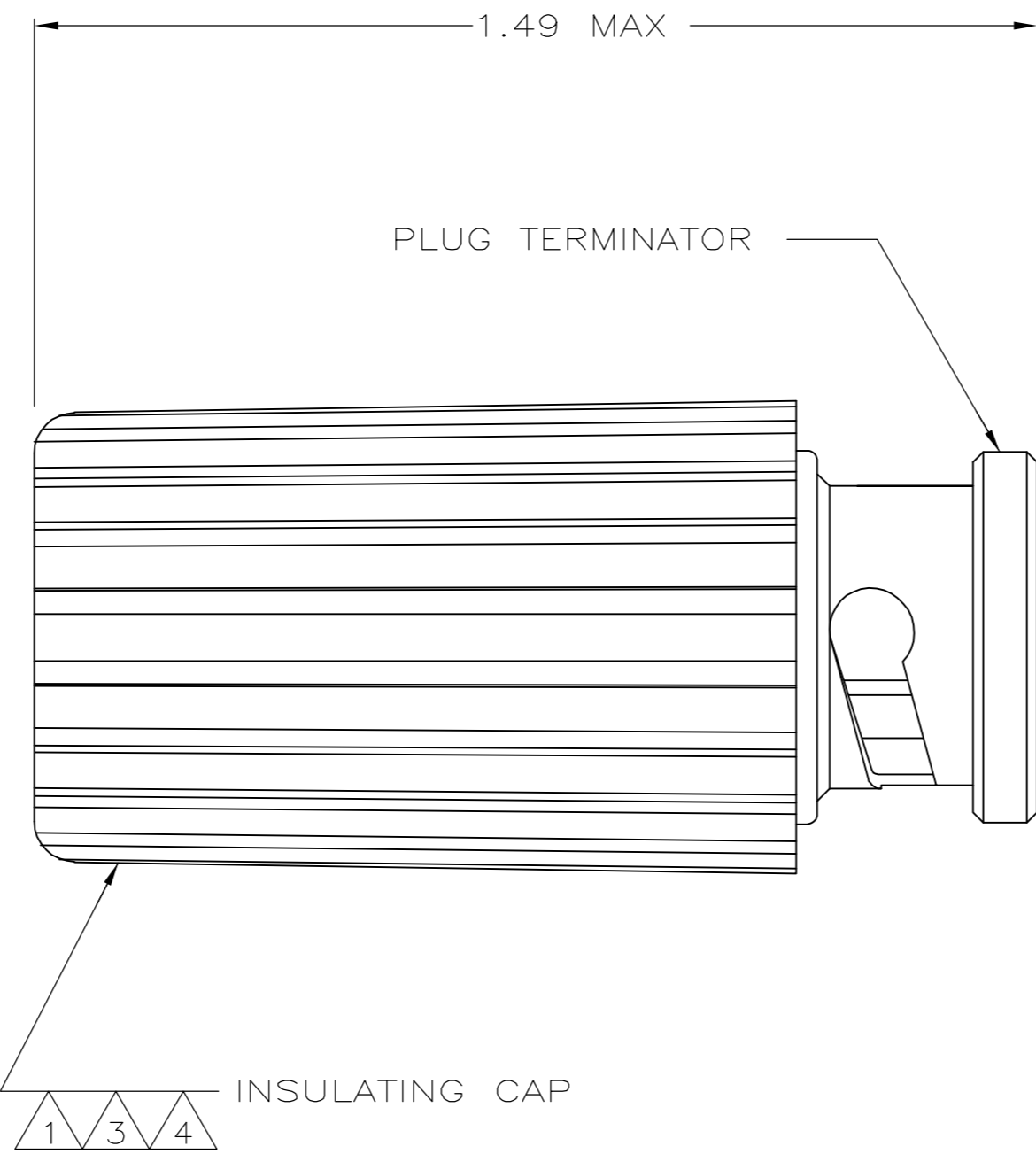
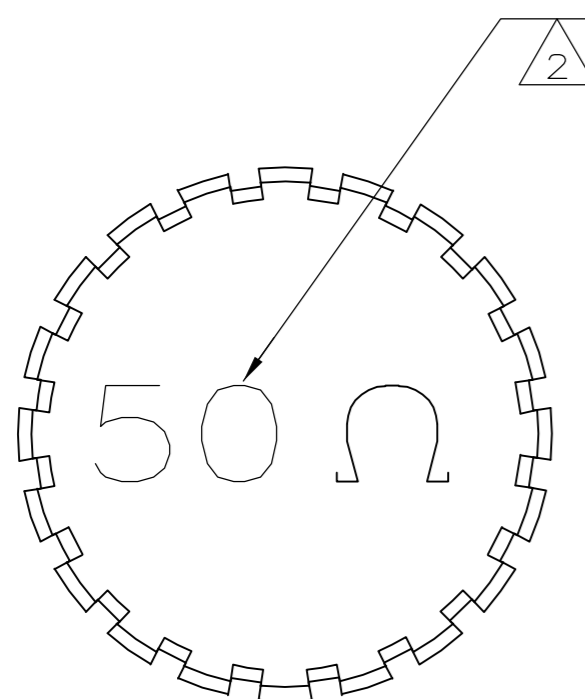


THIS DRAWING IS UNPUBLISHED. RELEASED FOR PUBLICATION
 © COPYRIGHT BY TYCO ELECTRONICS CORPORATION. ALL RIGHTS RESERVED.

LOC	DIST	REVISIONS			
P	LTR	DESCRIPTION	DATE	DWN	APVD
D	AJ	16			
	D	REV PER EC 0514-0453-04	17OCT05	CJL	GM



- ① POLYPHENYLENE OXIDE
 - ② RESISTOR VALUE IS MOLDED ON INSULATING CAP
 - ③ COLOR, BLACK
 - ④ COLOR, GRAY
 - ⑤ SAME AS 413364-1 EXCEPT PACKAGED 5 PER BOX
6. RESISTOR SPECIFICATIONS:
- A. 1 WATT
 - B. 1% TOLERANCE
 - C. 50 OHM

⑤	③	413364-3
④		413364-2
③	OBSOLETE	413364-1
		PART NUMBER

THIS DRAWING IS A CONTROLLED DOCUMENT.		DWN	J.L.GROFT	8-2-94	 Tyco Electronics Corporation Harrisburg, PA 17105-3608
DIMENSIONS: INCHES		CHK	R.J.KOBLER	8-2-94	
TOLERANCES UNLESS OTHERWISE SPECIFIED:		APVD	J.L.GROFT	8-3-94	
0 PLC ± - 1 PLC ± - 2 PLC ± - 3 PLC ± - 4 PLC ± - ANGLES ± - FINISH		PRODUCT SPEC	NAME		
MATERIAL - ①		WEIGHT -		SIZE	A2
③-④		CUSTOMER DRAWING		CAGE CODE	00779
				DRAWING NO	C=413364
				RESTRICTED TO	-
				SCALE	4:1
				SHEET	1 of 1
				REV	D