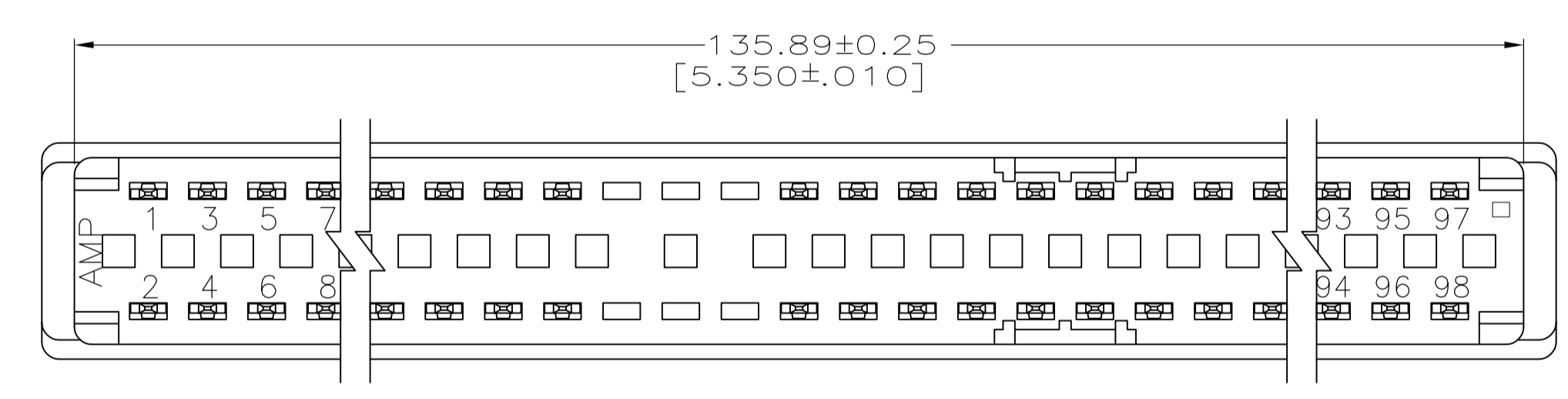
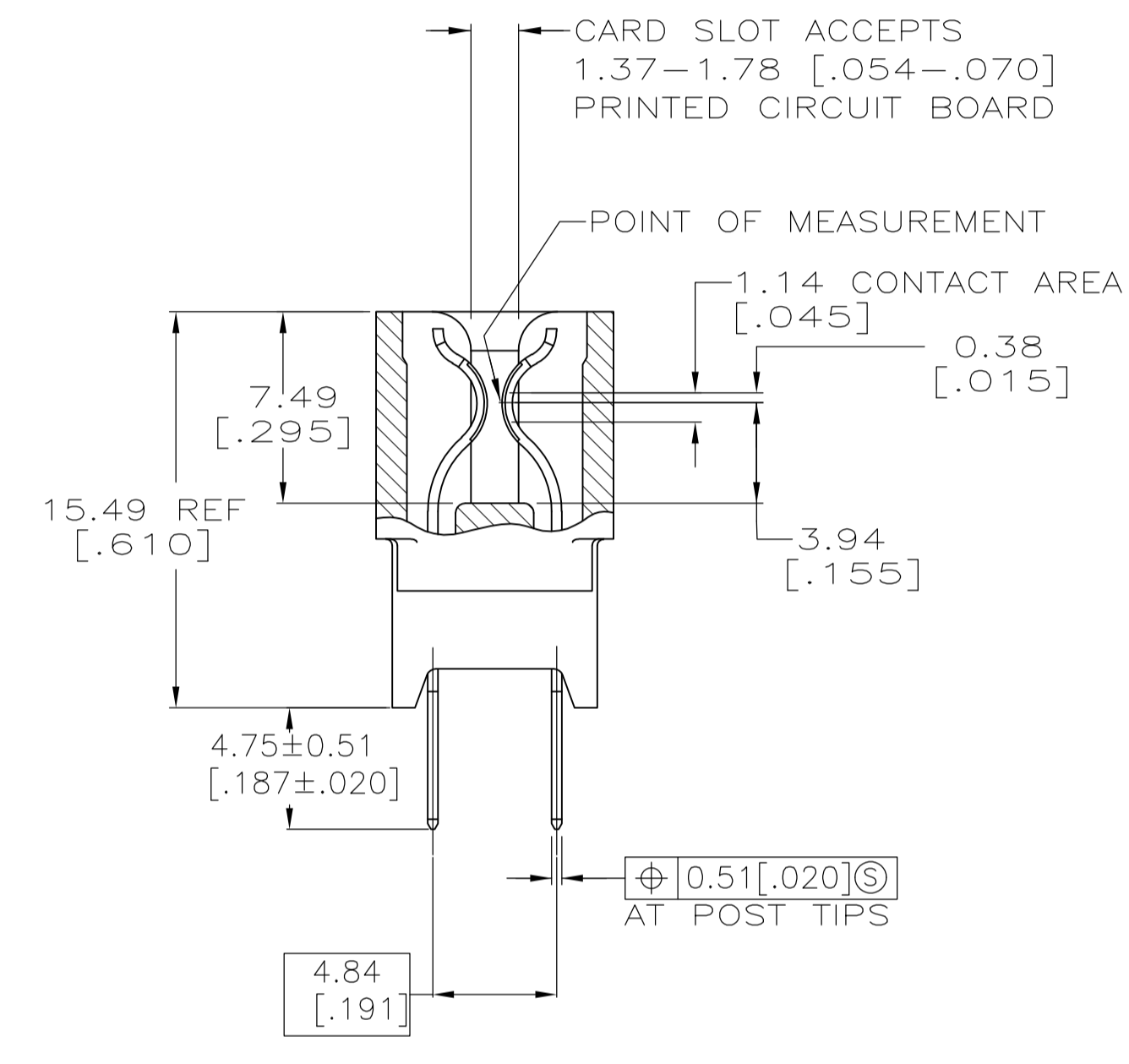
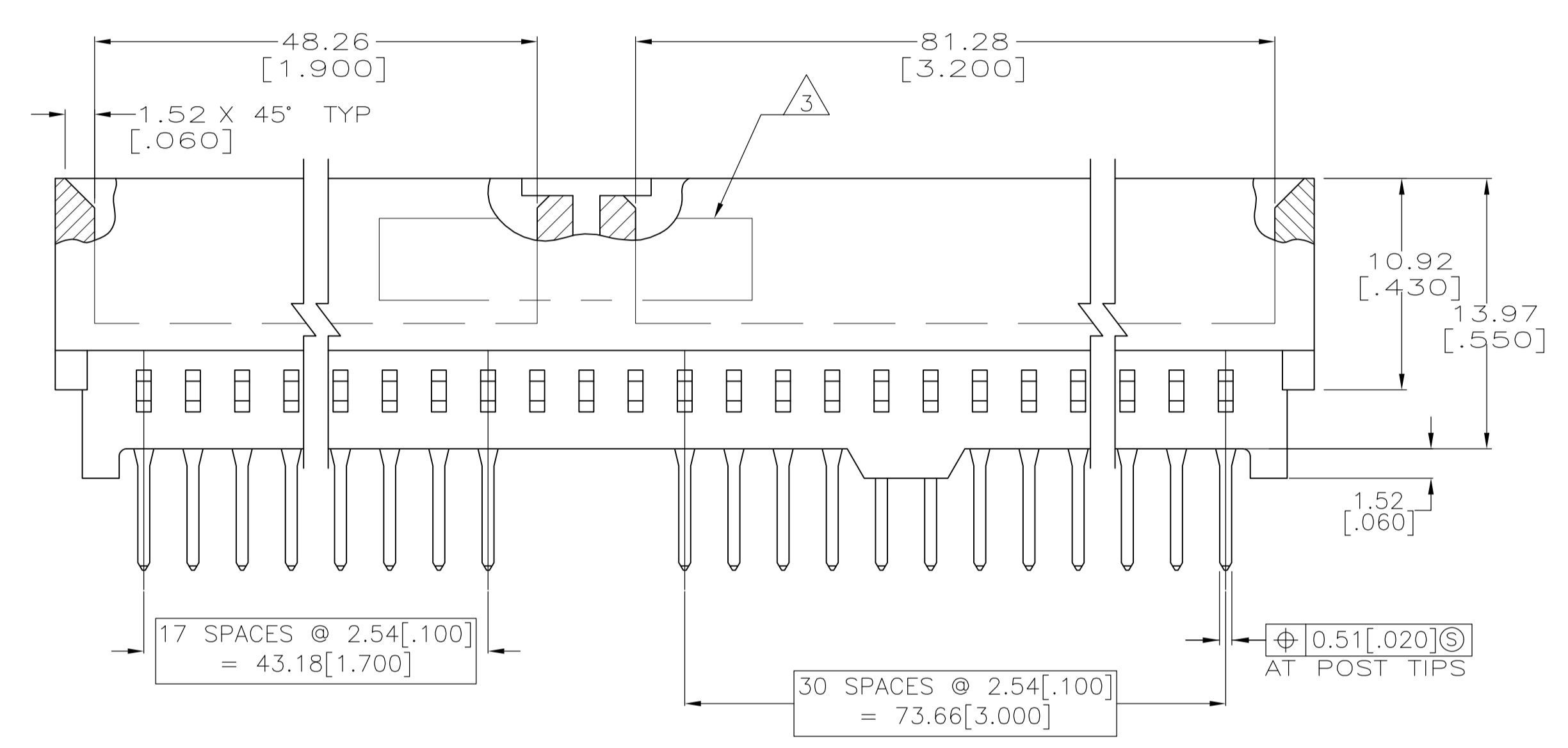


- MATERIAL:
 HOUSING: GLASS FILLED POLYESTER; COLOR: BLACK.
 CONTACT: PHOS BRONZE
- FINISH:
 0.00076[.000030] MIN GOLD PLATE IN CONTACT AREA,
 0.00254[.000100] MIN TIN-LEAD ON SOLDER POSTS, ALL
 OVER 0.00127[.000050] MIN NICKEL
- AMP LOGO, TE PART NUMBER, DATE CODE AND CSA LOGO INK
 STAMPED WHITE (HOT STAMPED OR LAZER PRINTED) IN THE APPROXIMATE
 AREA SHOWN, EITHER SIDE PERMISSABLE, WHEN HOUSING SIZE PERMITS
- RECOMMENDED PCB FINISHED HOLE DIAMETER = 1.08±0.08[.040±.003]



OBsolete 650616-2
 PART NUMBER

49 650616-1
 NO OF POSN PART NUMBER

THIS DRAWING IS A CONTROLLED DOCUMENT.		DIN L.A.MAYER 03MAR2008	Tyco Electronics Corporation Harrisburg, PA 17105-3608	
DIMENSIONS: mm [INCHES]		CHK A.W.FRANTUM 03MAR2008	NAME S.FLICKINGER	
TOLERANCES UNLESS OTHERWISE SPECIFIED:		APVD S.FLICKINGER 03MAR2008	PRODUCT SPEC 108-9039	
0 PLC ± -		APPLICATION SPEC 114-13018		
1 PLC ± -		SIZE CAGE CODE DRAWING NO RESTRICTED TO		
2 PLC ± 0.13 [.005]		A1 00779 C=650616		
3 PLC ± -		WEIGHT -		
4 PLC ± -		CUSTOMER DRAWING SCALE 4:1 SHEET 1 OF 1 REV G		
ANGLES ± °				
MATERIAL SEE NOTE 1		FINISH SEE NOTE 2		