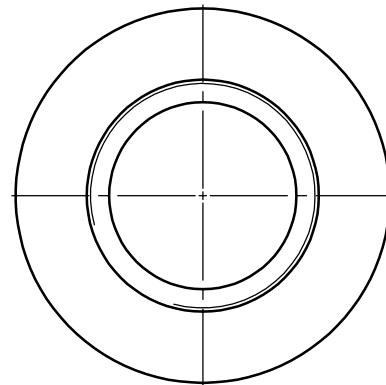
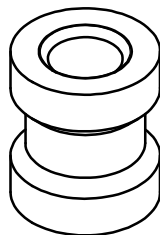
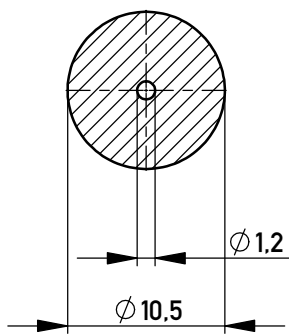


Layout - Vorschlag
 PCB - Layout proposal
 M 2:1
 scale 2:1

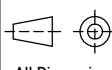

M 2:1 / scale 2:1



5-10µm Sn matt über 1-3µm Ni /
 5-10µm sn matt over 1-3µm ni

Oberfläche (A) / plating (A)

Copyright by ERNI Production GmbH & Co. KG
 Proprietary notice pursuant to ISO 16016 to be observed.

Information:		Tolerances		Scale	5:1
All rights reserved. Only for Information. To ensure that this is the latest version of this drawing, please contact one of the ERNI companies before using.		Subject to modification without prior notice. Drawing will not be updated.	All Dimensions in mm	Material:	CuZn39Pb3
				Designation	PowerElement SMD female thread M6 with peg
b	09.05.2017		www.ERNI.com	225871	
Index	Date				
				I A4	