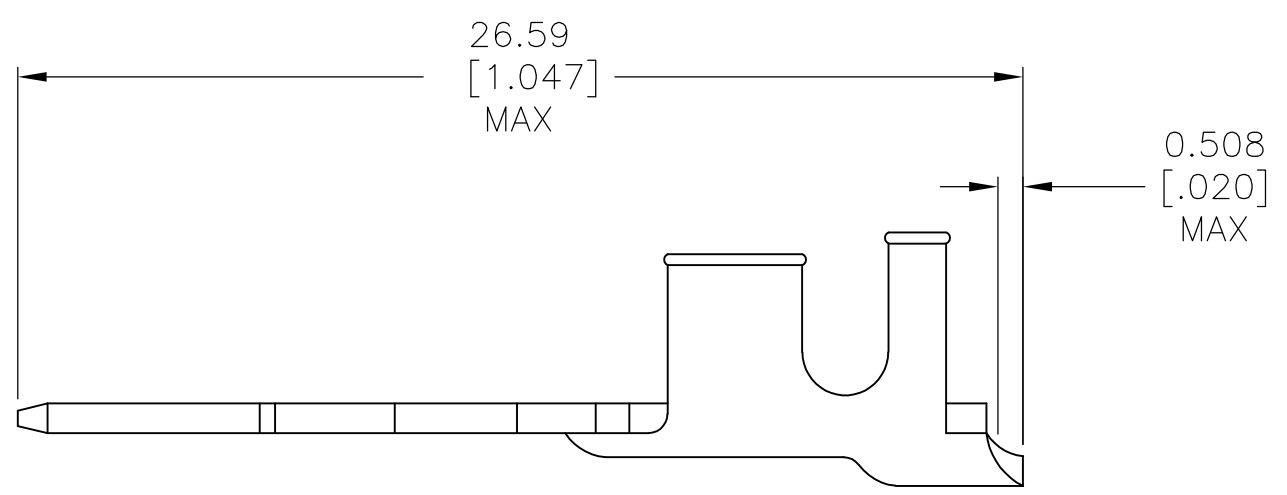


THIS DRAWING IS UNPUBLISHED. RELEASED FOR PUBLICATION  
 © COPYRIGHT - By - ALL RIGHTS RESERVED.

LOC	DIST	REVISIONS			
P	LTR	DESCRIPTION	DATE	DWN	APVD
		D1	REVISED PER ECR-14-015005	04NOV2014	NK DH

1 FOR ADDITIONAL INFORMATION SEE CUSTOMER DRAWING NO. 640416.



NICKEL	18-14 AWG	.142 MAX	641256-3
FOR INTERNAL COMPANY USE ONLY			641256-2
-	18-14 AWG	.142 MAX	641256-1
FINISH	WIRE RANGE	INSULATION DIA	PART NO

THIS DRAWING IS A CONTROLLED DOCUMENT.		DWN RAGHAVENDRA 08MAY2008	<b>STE</b> TE Connectivity		
DIMENSIONS: mm [INCHES]		CHK KURT RANDOLPH 08MAY2008			
TOLERANCES UNLESS OTHERWISE SPECIFIED:		APVD KURT RANDOLPH 08MAY2008	NAME		
0 PLC ±		PRODUCT SPEC	250 BLADE, LOOSE PIECE		
1 PLC ±		---	SIZE		
2 PLC ±		APPLICATION SPEC	CAGE CODE		DRAWING NO
3 PLC ±		---	A3 00779		C-641256
4 PLC ±		---	RESTRICTED TO		---
ANGLES ±		WEIGHT	SCALE 5:1		
MATERIAL BRASS		FINISH SEE TABLE	SHEET 1 OF 1		REV D1
CUSTOMER DRAWING			SCALE 5:1 SHEET 1 OF 1 REV D1		