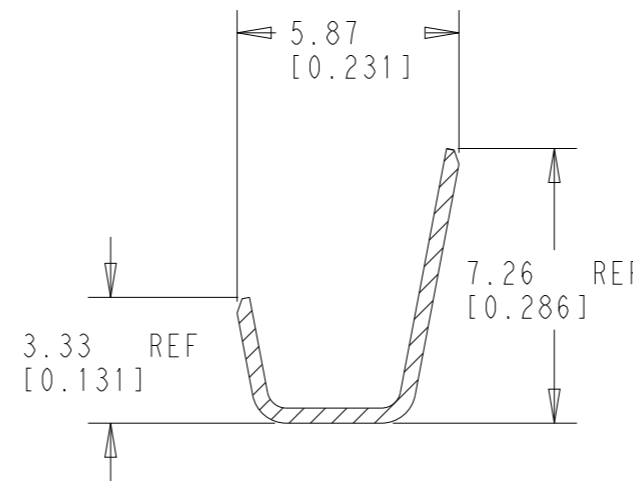
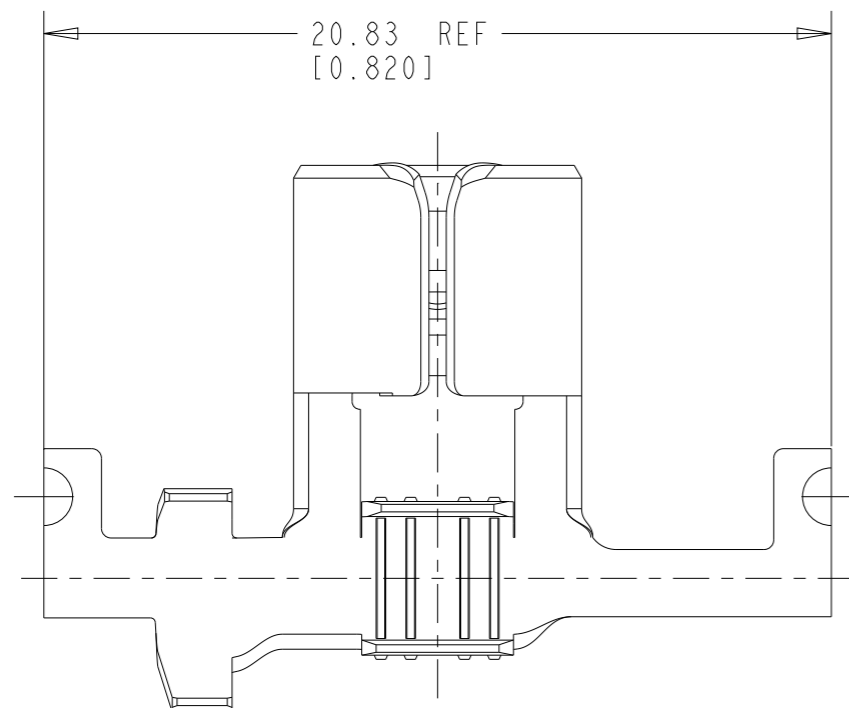
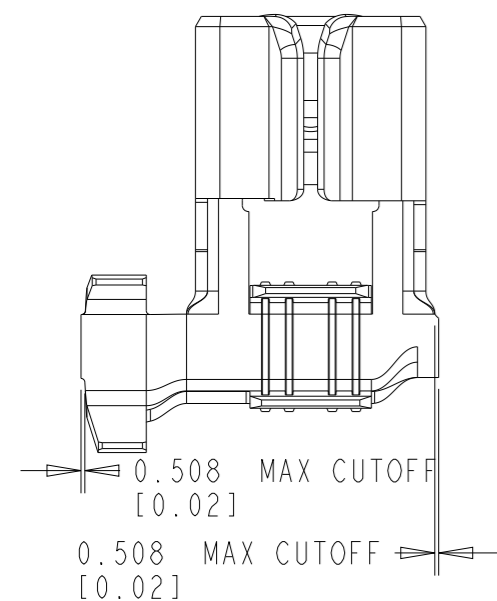
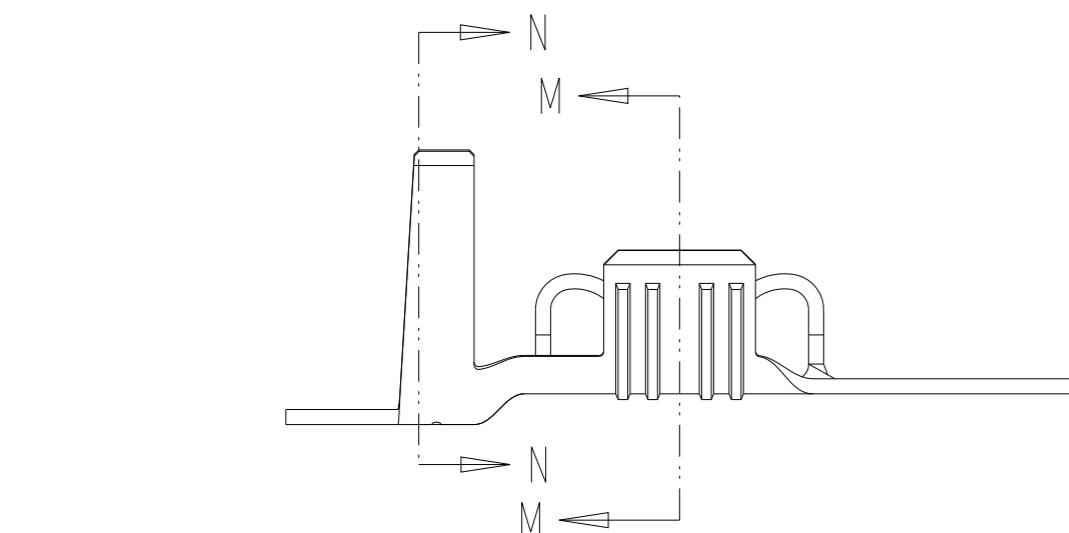
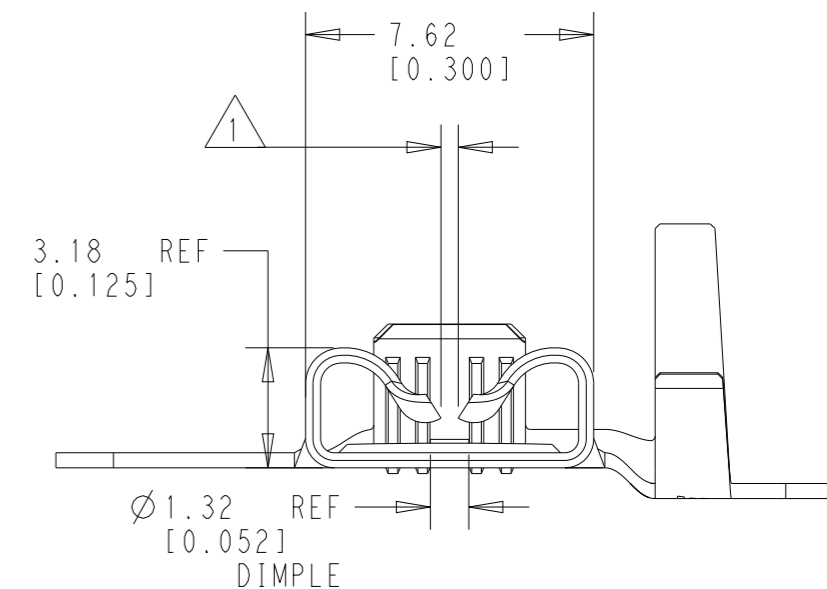
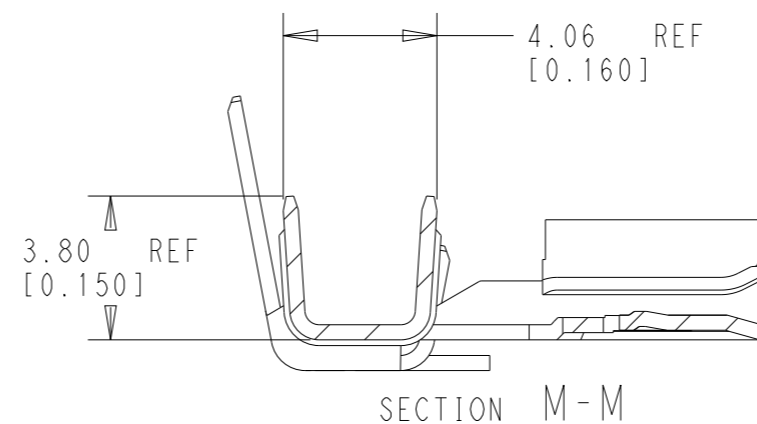


| P | LTR | DESCRIPTION | DATE | DWN | APVD |
|---|-----|----------------------------|-----------|-----|------|
| | A | RELEASED PER ECN-21-100667 | 17FEB2021 | BKW | DH |
| | A1 | REVISED PER ECN-23-198737 | 15FEB2023 | BKW | WM |
| | | | | | |
| | | | | | |



- 1 CONTACT ROLLS TO NOT TOUCH ONE ANOTHER
- 2. WIRE RANGE: 16-12 AWG
INSULATION RANGE: .120-.170
- 3. CONTINUOUS STRIP ON REELS
- 4. MATING TAB THICKNESS IS 0.81±0.025 [0.032±.001]
- 5 PRELIMINARY PART - NOT RELEASED FOR PRODUCTION
PART HAS NOT COMPLETED QUALIFICATION TESTING



RECOMMENDED CUTOFF
SCALE 4:1

| | | |
|---------|----------|-------------|
| SILVER | BRASS | 5 2375767-4 |
| PRE-TIN | BRASS | 2375767-3 |
| FINISH | MATERIAL | PART NUMBER |

| | | | | | | |
|---|--|-----------------------------------|--|--------------------|-------------------------|--------------------|
| THIS DRAWING IS A CONTROLLED DOCUMENT. | | DWN B. WEAVER 29 JUN 2020 | TE Connectivity | | | |
| DIMENSIONS: mm [IN] | | CHK D. HUMPHREY 29 JUN 2020 | | | | |
| TOLERANCES UNLESS OTHERWISE SPECIFIED: | | APVD W. MOYER 29 JUN 2020 | | | | |
| 0 PLC ±- 1 PLC ±- 2 PLC ±- 3 PLC ±0.25 [.010] 4 PLC ±- ANGLES ±- | | PRODUCT SPEC - | | | | |
| MATERIAL SEE TABLE | | FINISH SEE TABLE | NAME FASTON RECEPTACLE, LEFT HAND FLAG, 250 SERIES | | | |
| - | | APPLICATION SPEC - | SIZE A3 | CAGE CODE 00779 | DRAWING NO C-2375767 | RESTRICTED TO - |
| CUSTOMER DRAWING | | WEIGHT - | SCALE 3:1 | SHEET 1 OF 1 | REV A1 | |