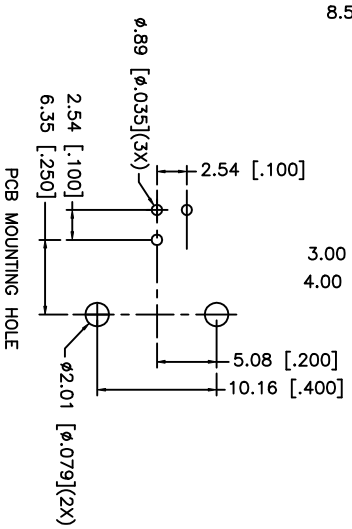
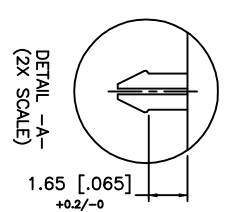
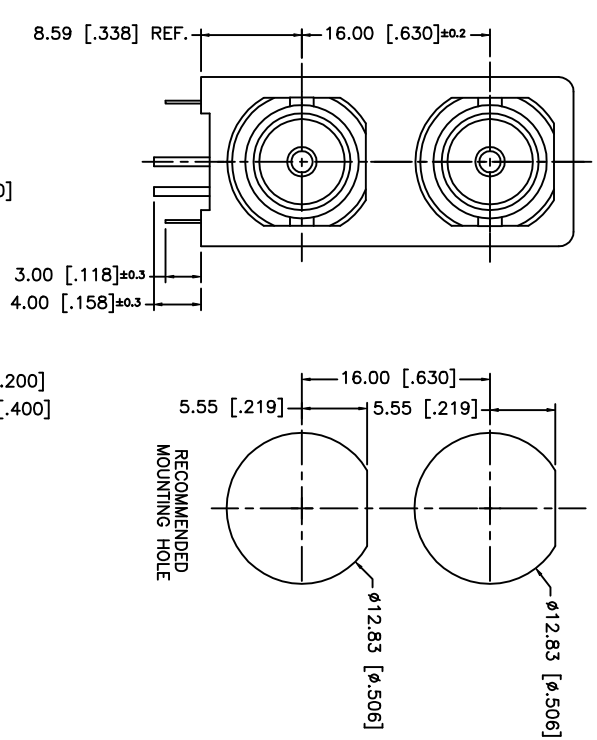
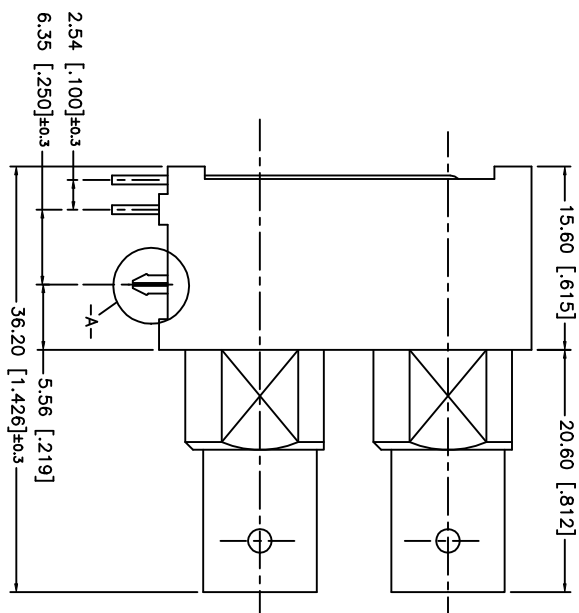
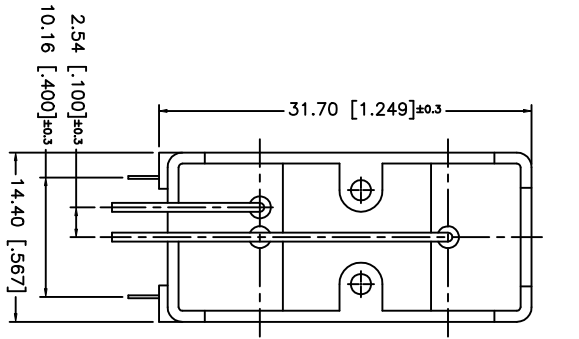


REV.	DATE	DESCRIPTION
NC	04/11/02	INITIAL RELEASE



8			
7			
6	MNTING POST	BRASS	BRT. TIN
5	POST	COPPER	BRT. TIN
4	CONTACT PIN	BER. COPPER	GOLD FLSH.
3	CONTACT PIN	BER. COPPER	GOLD FLSH.
2	INSULATOR	POLY PRO	NATURAL
1	BODY	ZINC DIE CAST	NICKEL
DESCRIPTION	MATERIAL	FINISH	

UNLESS OTHERWISE SPECIFIED DIMENSIONS ARE IN MILLIMETERS  
 DIMENSIONS IN [ ] ARE IN INCHES FOR CUSTOMER REFERENCE ONLY  
 UNLESS OTHERWISE SPECIFIED TOLERANCES FOR INCHES ARE:  
 .XXX = ± 0.005"  
 .XX = ± 0.010"  
 X = ± 0.020"

APPROVALS		DATE
DRAWN	G.R.S.	04/11/02
CHECKED		
ISSUED		

**Amphenol - Connex**  
 CONNECTOR CORPORATION

DUAL PORT BNC PCB MOUNT  
 RECEPTACLE HOOK - DIE CAST 50ohm

SIZE	FSQM NO.	DWG. NO.	REV.
A	99001	112706.DWG	NC

SCALE: NA PART NO. 112706 SHEET 1 OF 1

DO NOT SCALE DRAWING