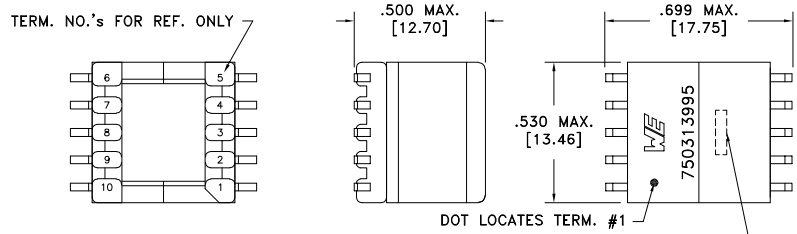
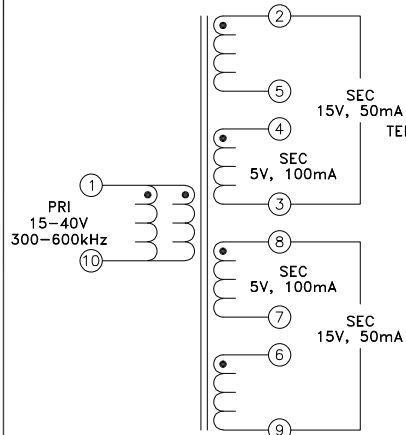


CUSTOMER TERMINAL	RoHS	LEAD(Pb)-FREE
Sn96%, Ag4%	Yes	Yes

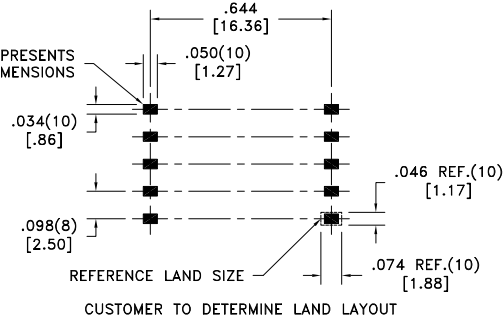


DOT LOCATES TERM. #1

LOT CODE & DATE CODE



AREA REPRESENTS TERMINAL PAD DIMENSIONS



REFERENCE LAND SIZE
CUSTOMER TO DETERMINE LAND LAYOUT

Customer to tie terminals 2+3, 4+7 and 8+9 on PC board.

6B Application of the transformer allows for the leadwires between terminals 2&3, and 8&9 to solder bridge.

ELECTRICAL SPECIFICATIONS @ 25°C unless otherwise noted:

PARAMETER	TEST CONDITIONS	VALUE
D.C. RESISTANCE	1-10 @20°C	0.110 ohms ±10%
D.C. RESISTANCE	4-3 @20°C	0.150 ohms ±10%
D.C. RESISTANCE	8-7 @20°C	0.150 ohms ±10%
D.C. RESISTANCE	4-5 tie(2+3), @20°C	0.800 ohms ±10%
D.C. RESISTANCE	6-7 tie(8+9), @20°C	0.800 ohms ±10%
INDUCTANCE	1-10 10kHz, 100mVAC, Ls	50.0uH ±10%
SATURATION CURRENT	20% rolloff from initial	1.5A
LEAKAGE INDUCTANCE	1-10 tie(2+3+4+5+6+7+8+9), 100kHz, 100mVAC, Ls	130nH typ., 260nH max.
DIELECTRIC	1-2 tie(4+5+6+7), 1500VAC, 1 second	-
URNS RATIO	(1-10):(4-3)	1.5:1, ±1%
URNS RATIO	(1-10):(8-7)	1.5:1, ±1%
URNS RATIO	(6-7):(1-10), tie(8+9)	2:1, ±1%
URNS RATIO	(4-5):(1-10), tie(2+3)	2:1, ±1%

GENERAL SPECIFICATIONS:

OPERATING TEMPERATURE RANGE: -40°C to +125°C including temp rise.

Wire insulation & RoHS status not affected by wire color.
Wire insulation color may vary depending on availability.

REV.	DATE	Packaging Specifications Method: Tape & Reel PKG-0499 www.we-online.com/midcom		Tolerances unless otherwise specified: Angles: ±1° Fractions: ±1/64 Decimals: ±.005 [.13] Footprint: ±.005 [.13]	DRAWING TITLE TRANSFORMER	PART NO. 750313995
6B	9/22			This drawing is dual dimensioned. Dimensions in brackets are in millimeters.	eiSos p/n: 750313995	
6A	8/13	SEE REVISION SHEET FOR REVISION LEVEL				SPECIFICATION SHEET 1 OF 1