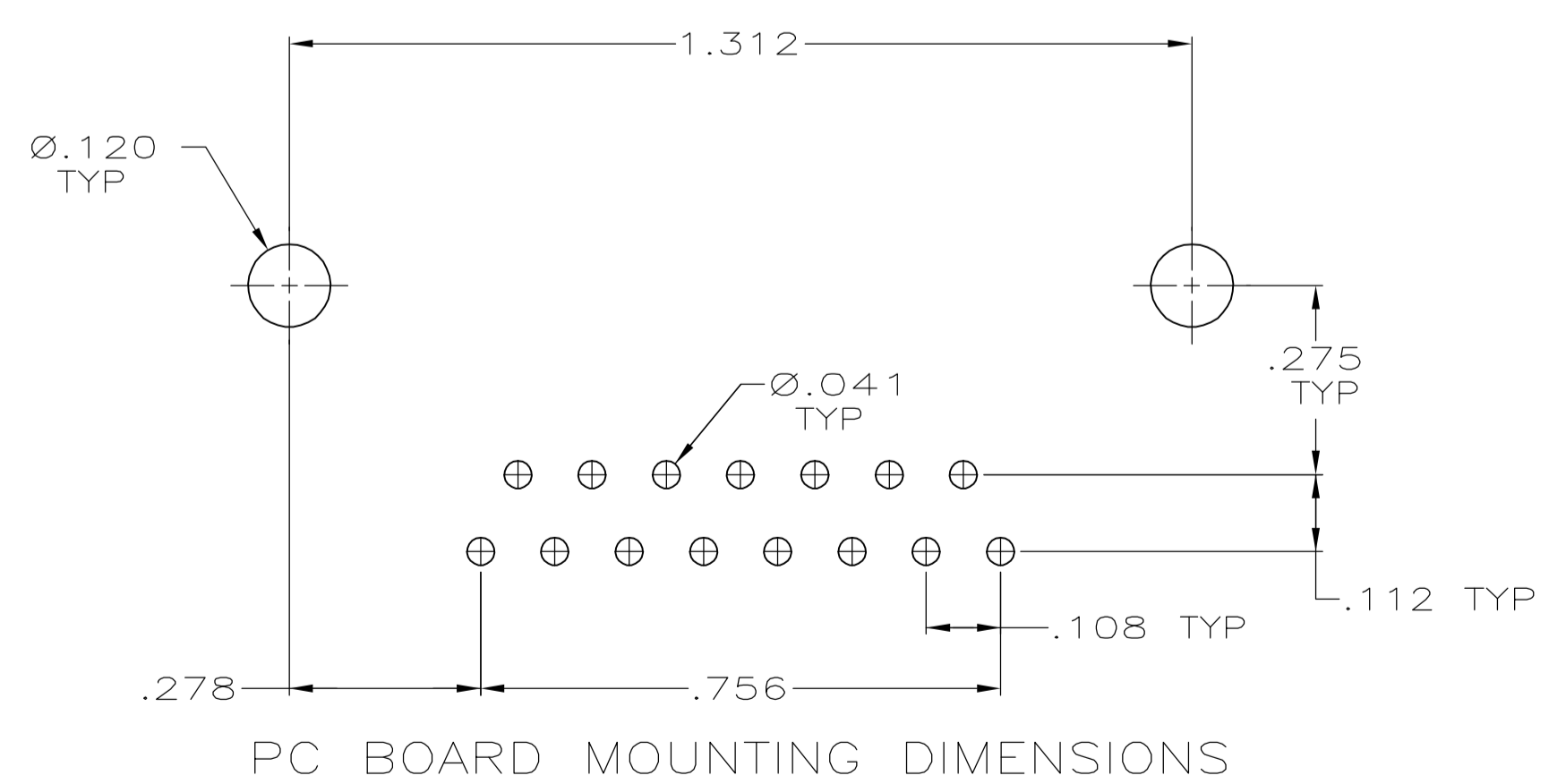
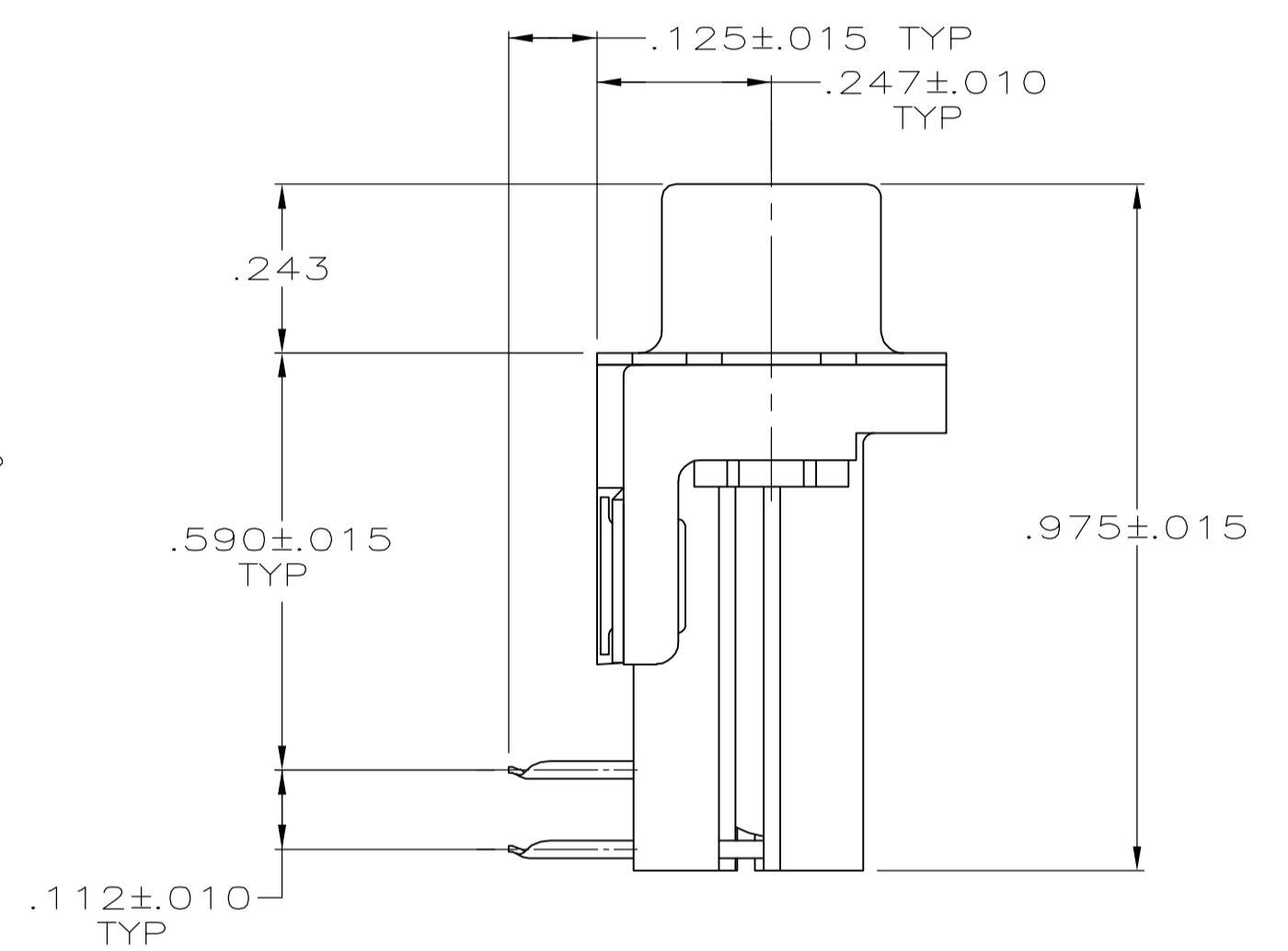
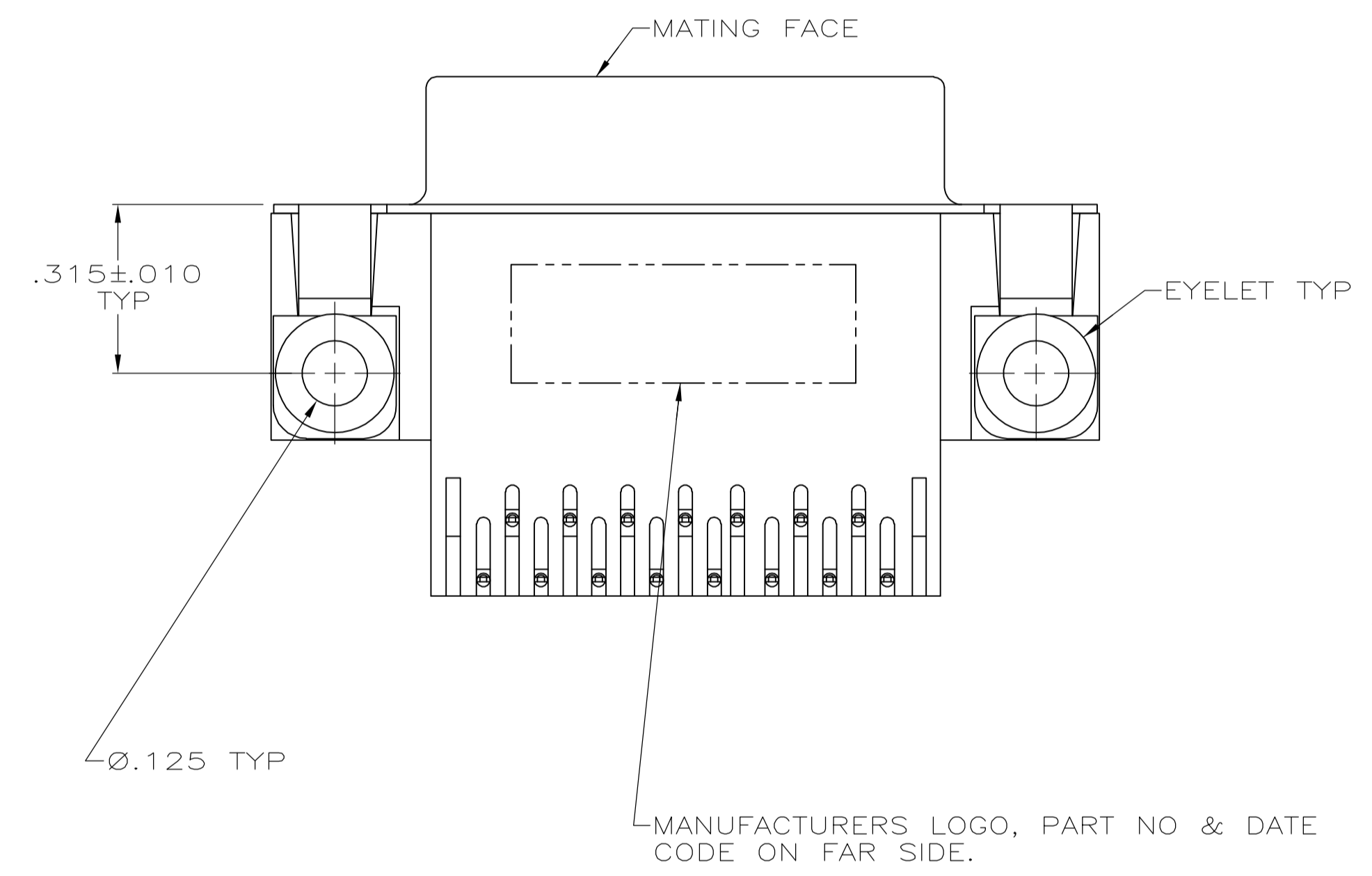


- ① MOLDED PARTS: FLAME RETARDANT 94V-0 RATED THERMOPLASTIC, BLACK.
 SHELL: CARBON STEEL
 CONTACTS: PHOSPHOR BRONZE
 EYELETS: BRASS
 INSERTS: ZINC
- ② SHELL: .000100 MIN TIN OVER .000050 MIN COPPER.
 CONTACTS: .000030 MIN GOLD FOR A DISTANCE OF .100 MIN FROM
 MATING END, .000100 MIN TIN
 ON SOLDER POST, ALL OVER .000050 MIN NICKEL.
 EYELETS: .000100 MIN COPPER OVER COPPER FLASH.
 INSERTS: CLEAR CHROMATE



5745984-4
 PART NUMBER

**COPYRIGHT 2005
 TYCO ELECTRONICS CORP
 ALL RIGHTS RESERVED**

THIS DRAWING IS A CONTROLLED DOCUMENT.		DIN A. FERNANDEZ-DOCKS 04-07-05	Tyco Electronics Corporation Harrisburg, PA 17105-3608
DIMENSIONS: INCHES		CHK S. BOLASH 04-07-05	
TOLERANCES UNLESS OTHERWISE SPECIFIED:		APVD M. WALMSLEY 04-07-05	NAME RCPT ASSY, SIZE 2, RTANG, W/FRONT METAL SHELL, .026 DIA POSTS, AMLPIMITE HD-20 (.590 FOOTPRINT) SHORT LEG
0 PLC ± - 1 PLC ± - 2 PLC ± - 3 PLC ± .005 4 PLC ± - ANGLES ± °		PRODUCT SPEC 108-40025	RESTRICTED TO
MATERIAL		APPLICATION SPEC 114-40010	SIZE A1
FINISH		WEIGHT -	CAGE CODE 00779
CUSTOMER DRAWING		SCALE 4:1	SHEET 1 OF 1
		DRAWING NO 5745984	REV 0