



soberton inc.

# GT MAGNETIC BUZZER

Acoustic Product Specification

Product Number: GT-111P



Release | Revision: D/2018

## CONTENTS

This document contains the technical specifications for the electromagnetic buzzer.

### Page 1

Specifications

Mechanical Characteristics

### Page 2

Environment Test

Reliability Test

### Page 3

Recommended Temperature Profile

Measurement Test Circuit

Inspection Fixture

### Page 4

Frequency Response Curve


### Page 5

Dimensions

### Page 6

Packing

## Specifications

Item	Unit	Specification	Condition
Rated Voltage	Vo-p	1.5	Vo-p 
Operating Voltage	Vo-p	1.0 ~ 3.0	
Mean Current	mA	15 Max.	At rated voltage, 2048Hz square wave, 1/2 duty
Coil Resistance	Ω	50±7	
Sound Output	dB	80	At 10cm(A-weight free air), at rated voltage 2048Hz, square wave, 1/2 duty
Rated Frequency	Hz	2048	
Operating Temp	°C	-20 ~ +60	
Storage Temp	°C	-30 ~ +70	
Dimension	mm	φ 12.0×H8.5	See attached drawing
Weight	gram	2.0	
Material		PPO (Black)	
Terminal		Pin type (Plating Sn)	See attached drawing
Environmental Protection Regulation		RoHS	

### Test condition

Temperature: 25±2 °C Related humidity: 65±5% Air pressure: 86 - 106KPa

## Mechanical Characteristics

Item	Test condition	Evaluation standard
Solderability	Lead terminals are immersed in the solder bath at +260±5°C for 3±1 seconds.	90% min. lead terminals shall be wet with solder. No interference in operation.
Soldering Heat Resistance	The product follows the reflow temperature curve to test its reflow thermal stability.	
Terminal Mechanical Strength	The force of 9.8N is applied to each terminal in axial direction for 10 seconds.	No damage and cutting off.
Vibration	The part shall be subjected to a vibration cycle of 10Hz to 55Hz to 10Hz in a period of 1 minute. Total peak amplitude shall be 1.52mm(9.3G). The vibration test shall consist of 2 hours per axis in each three axes(X,Y,Z). Total of 6 hours.	After the test, the part shall meet specifications without any damage in appearance and performance except SPL. The SPL should be in ±10dBA compared with initial one.
Drop Test	The part is dropped from a height of 75cm onto a 40mm thick wooden board 3 times in 3 axes (X,Y,Z). Total of 9 times.	



soberton inc.

# GT MAGNETIC BUZZER

Acoustic Product Specification

Product Number: GT-111P



Release | Revision: D/2018

## CONTENTS

This document contains the technical specifications for the electromagnetic buzzer.

### Page 1

Specifications

Mechanical Characteristics

### Page 2

Environment Test

Reliability Test

### Page 3

Recommended Temperature Profile

Measurement Test Circuit

Inspection Fixture

### Page 4

Frequency Response Curve

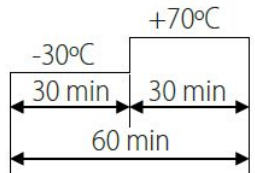
### Page 5

Dimensions

### Page 6

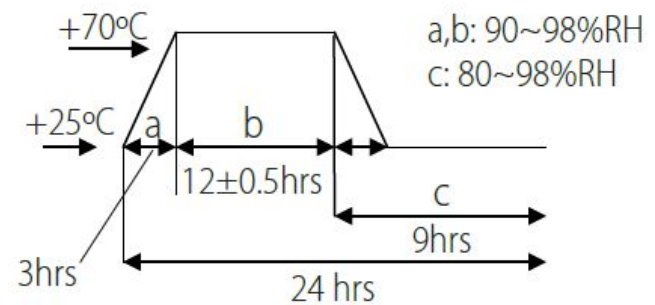
Packing

## Environment Test

Item	Test condition	Evaluation standard
High Temp. Test	The part is placed in chamber at +70°C for 96 hours.	After the test, the part shall meet specifications without any degradation in appearance and performance except SPL. After 4 hours at +25°C, the SPL should be in $\pm 10\text{dBA}$ compared with initial one.
Low Temp. Test	The part is placed in a chamber at -30°C for 96 hours.	
Thermal Shock	The part shall be subjected to 5 cycles. Each cycle shall consist of: 	

Temp./Humidity Cycle

The part shall be subjected to 5 cycles. One cycle shall be 24 hours and consist of:



## Reliability Test

Item	Test condition	Evaluation standard
Operating Life Test	<b>Ordinary Temperature</b> The part shall be subjected to 96 hours of continuous operation at $+25 \pm 10^\circ\text{C}$ .	After the test, the part shall meet specifications without any degradation in appearance and performance except SPL. After 4 hours at +25°C, the SPL should be in $\pm 10\text{dBA}$ compared with initial one.
	<b>High Temperature</b> The part shall be subjected to 72 hours of continuous operation at +60°C at 1.5V, 2048Hz applied.	
	<b>Low Temperature</b> The part shall be subjected to 72 hours of continuous operation at -20°C at 1.5V, 2048Hz applied.	

### Standard test condition:

- a) Temperature: +5~+35°C
- b) Humidity: 45~85%
- c) Pressure: 86~106KPa



soberton inc.

# GT MAGNETIC BUZZER

Acoustic Product Specification

Product Number: GT-111P



Release | Revision: D/2018

## CONTENTS

This document contains the technical specifications for the electromagnetic buzzer.

### Page 1

Specifications

Mechanical Characteristics

### Page 2

Environment Test

Reliability Test

### Page 3

Recommended Temperature Profile

Measurement Test Circuit

Inspection Fixture

### Page 4

Frequency Response Curve

### Page 5

Dimensions

### Page 6

Packing

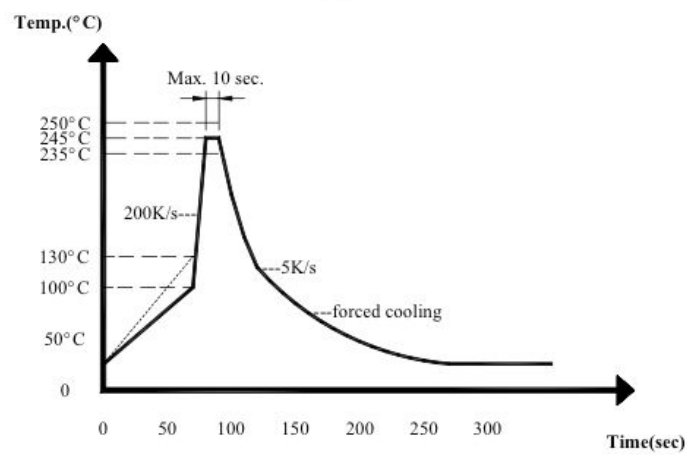
## Recommended Temperature Profile for Reflow Oven

Recommendable wave soldering condition is as follows:

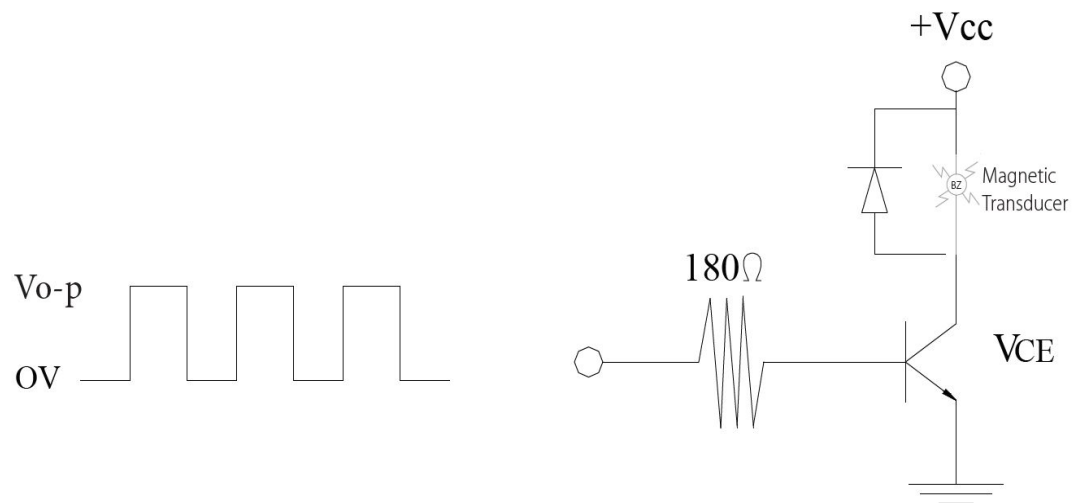
**Note 1:** It is requested that reflow soldering should be executed after heat of product goes down to normal temperature.

**Note 2:** Peak wave temperature of 235°C ~ 250°C maximum of 10 seconds.

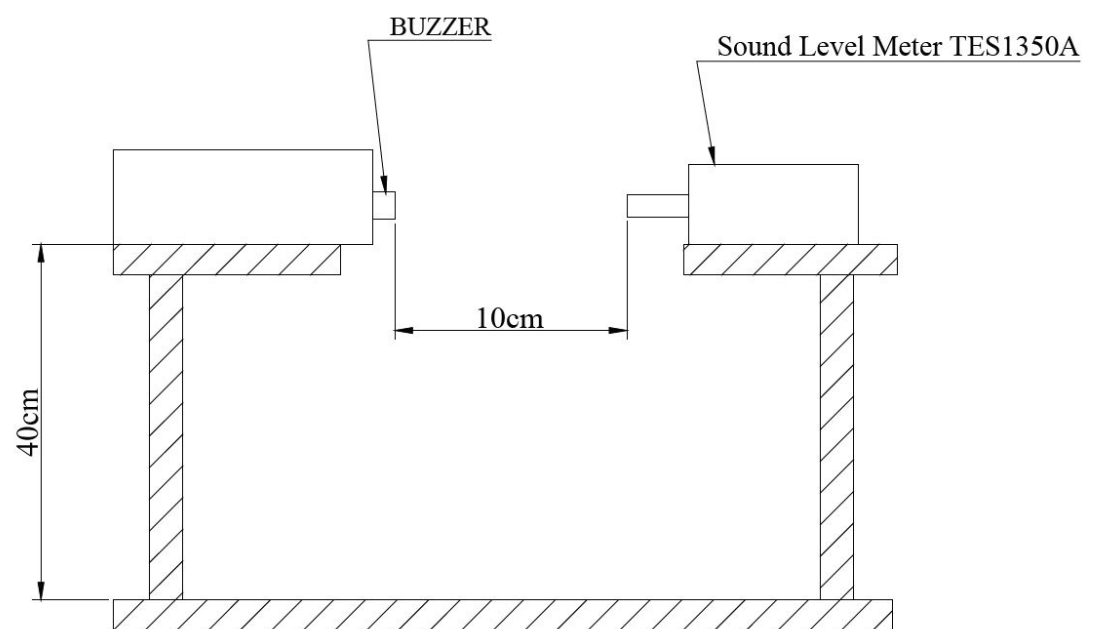
\* Wave Soldering profile of lead-free



## Measurement Test Circuit



## Inspection Fixture





soberton inc.

# GT MAGNETIC BUZZER

Acoustic Product Specification

Product Number: GT-111P



Release | Revision: D/2018

## CONTENTS

This document contains the technical specifications for the electromagnetic buzzer.

### Page 1

Specifications

Mechanical Characteristics

### Page 2

Environment Test

Reliability Test

### Page 3

Recommended Temperature Profile

Measurement Test Circuit

Inspection Fixture

### Page 4

Frequency Response Curve

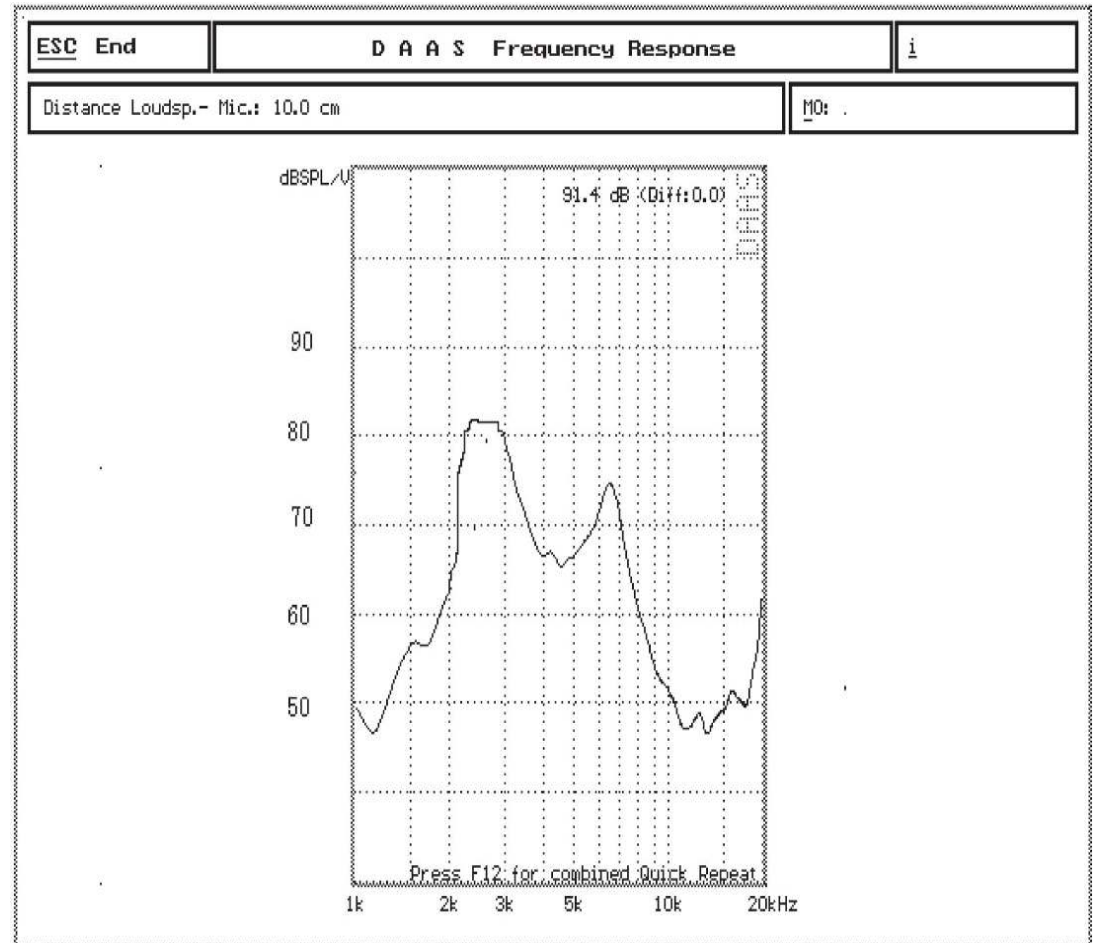
### Page 5

Dimensions

### Page 6

Packing

## Frequency Response Curve





soberton inc.

# GT MAGNETIC BUZZER

Acoustic Product Specification

Product Number: GT-111P



Release | Revision: D/2018

## CONTENTS

This document contains the technical specifications for the electromagnetic buzzer.

### Page 1

Specifications

Mechanical Characteristics

### Page 2

Environment Test

Reliability Test

### Page 3

Recommended Temperature Profile

Measurement Test Circuit

Inspection Fixture

### Page 4

Frequency Response Curve

### Page 5

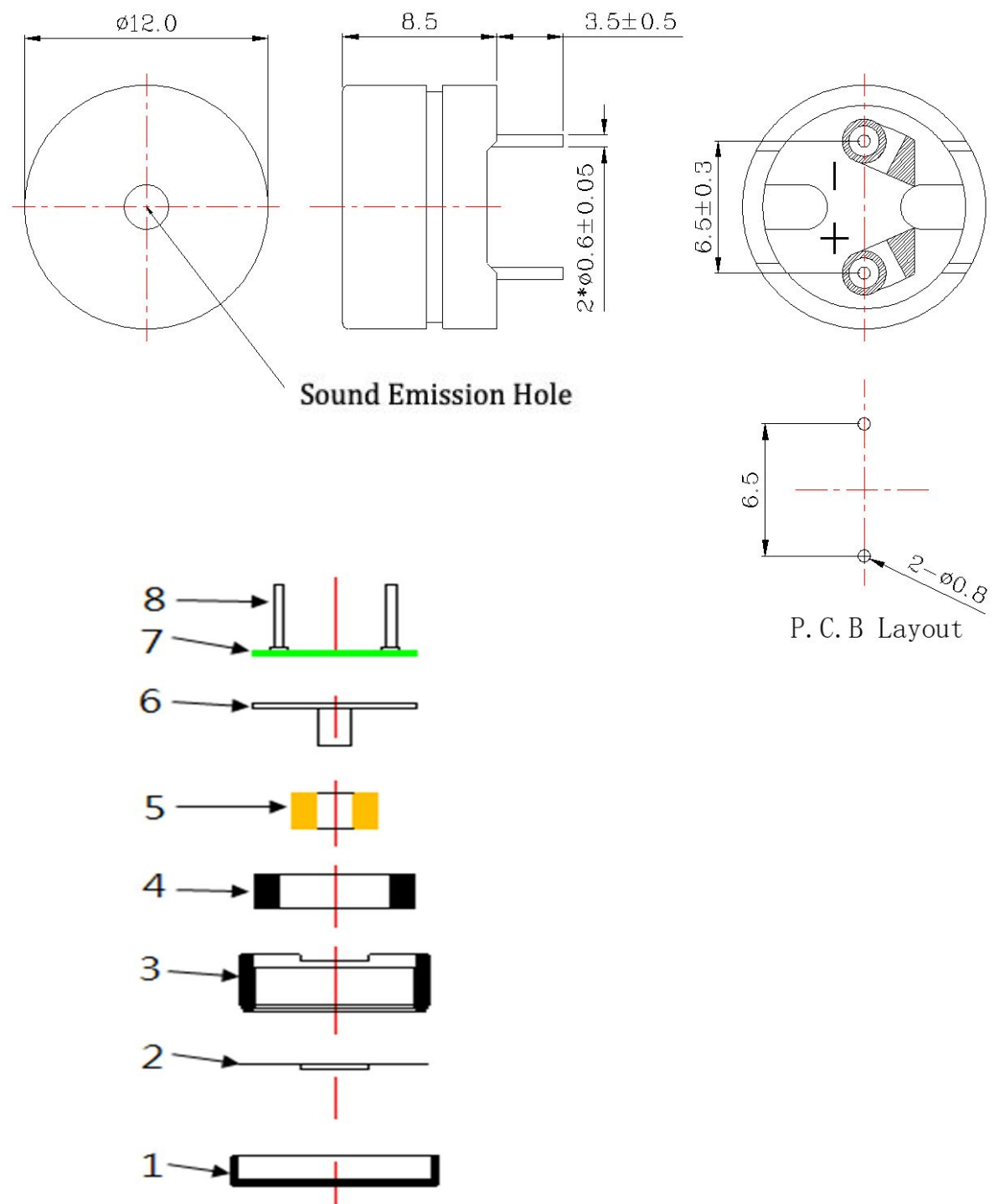
Dimensions

### Page 6

Packing

## Dimensions

Tolerance:  $\pm 0.5$  (unit: mm)



No.	Part Name	Material	Quantity
1	Cover	PPO	1
2	Diaphragm	Iron	1
3	Base	PPO	1
4	Magnet	NdFeB	1
5	Coil	Copper	1
6	Core	Iron	1
7	PCB	Epoxy Glass Fiber Cloth + Copper	1
8	PIN	Copper	2





soberton inc.

# GT MAGNETIC BUZZER

Acoustic Product Specification

Product Number: GT-111P



Release | Revision: D/2018

## CONTENTS

This document contains the technical specifications for the electromagnetic buzzer.

### Page 1

Specifications

Mechanical Characteristics

### Page 2

Environment Test

Reliability Test

### Page 3

Recommended Temperature Profile

Measurement Test Circuit

Inspection Fixture

### Page 4

Frequency Response Curve

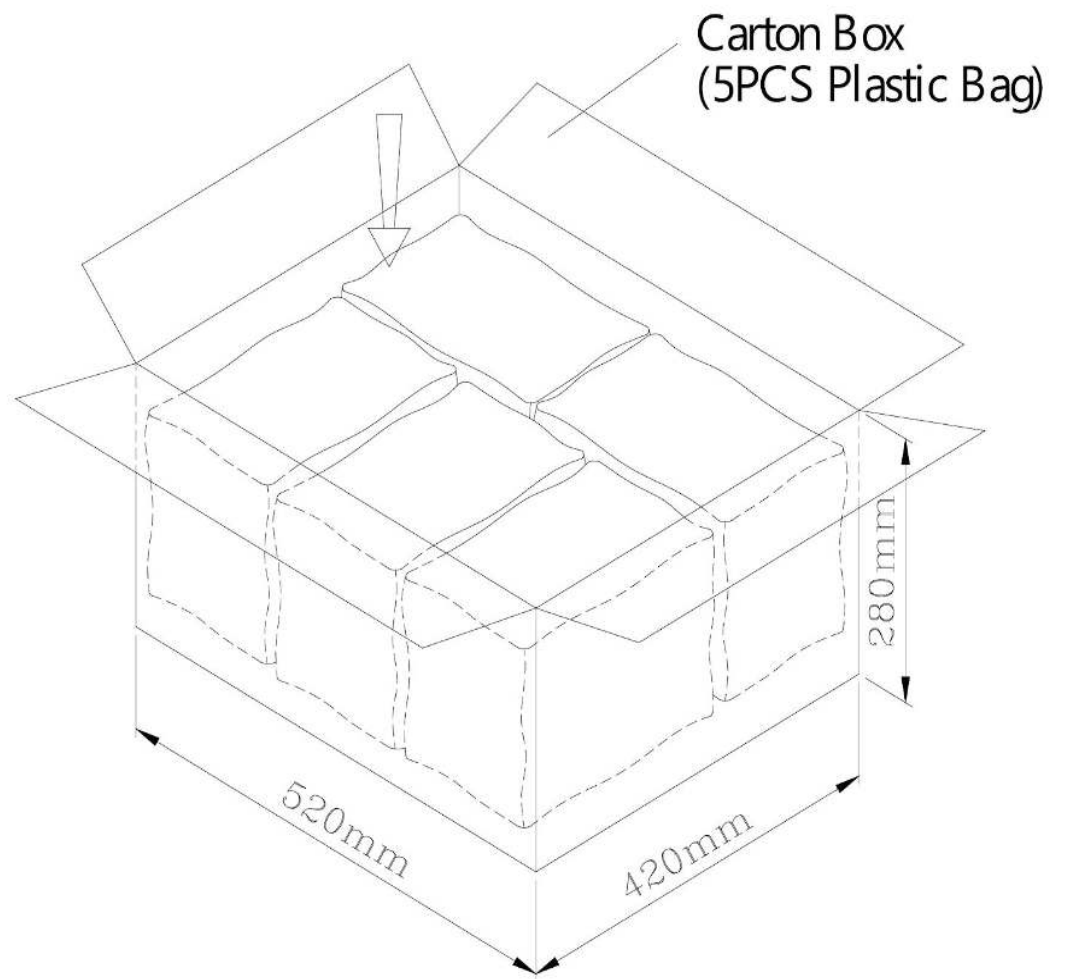
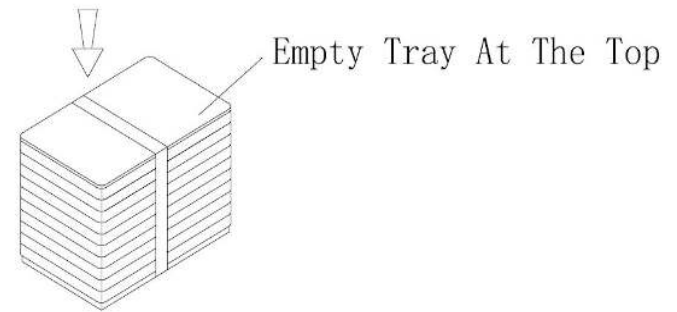
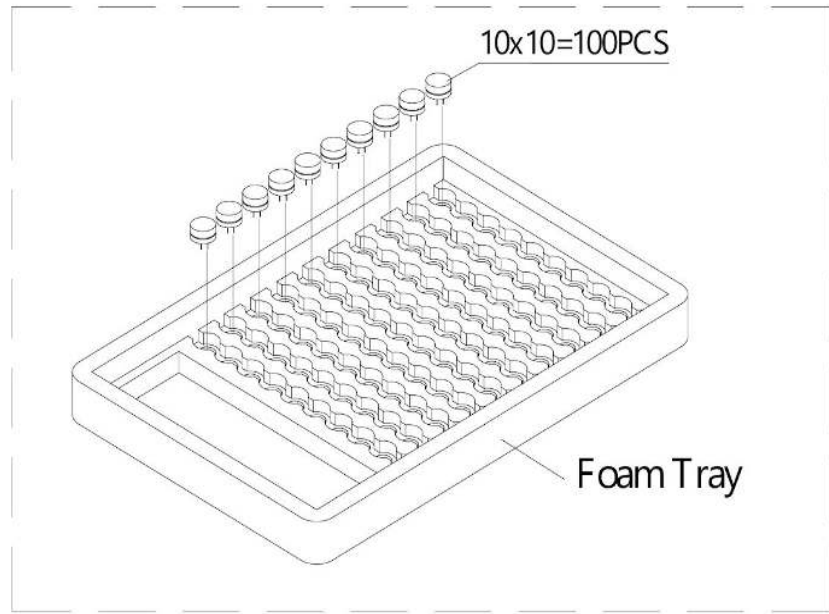
### Page 5

Dimensions

### Page 6

Packing

## Packing



Packing Box	L x W x H (mm)	Pieces
Foam Tray	240 x 160 x 30	1 x 100PCS = 100PCS
Plastic Bag		10 x 100PCS = 1,000PCS
Carton Box	520 x 420 x 280	5 x 1,000PCS = 5,000PCS