

LOC		DIST		REVISIONS			
GP	00	P	LTR	DESCRIPTION	DATE	DRN	APVD
		A		NEW RELEASE	09JUL2007	RG	PD

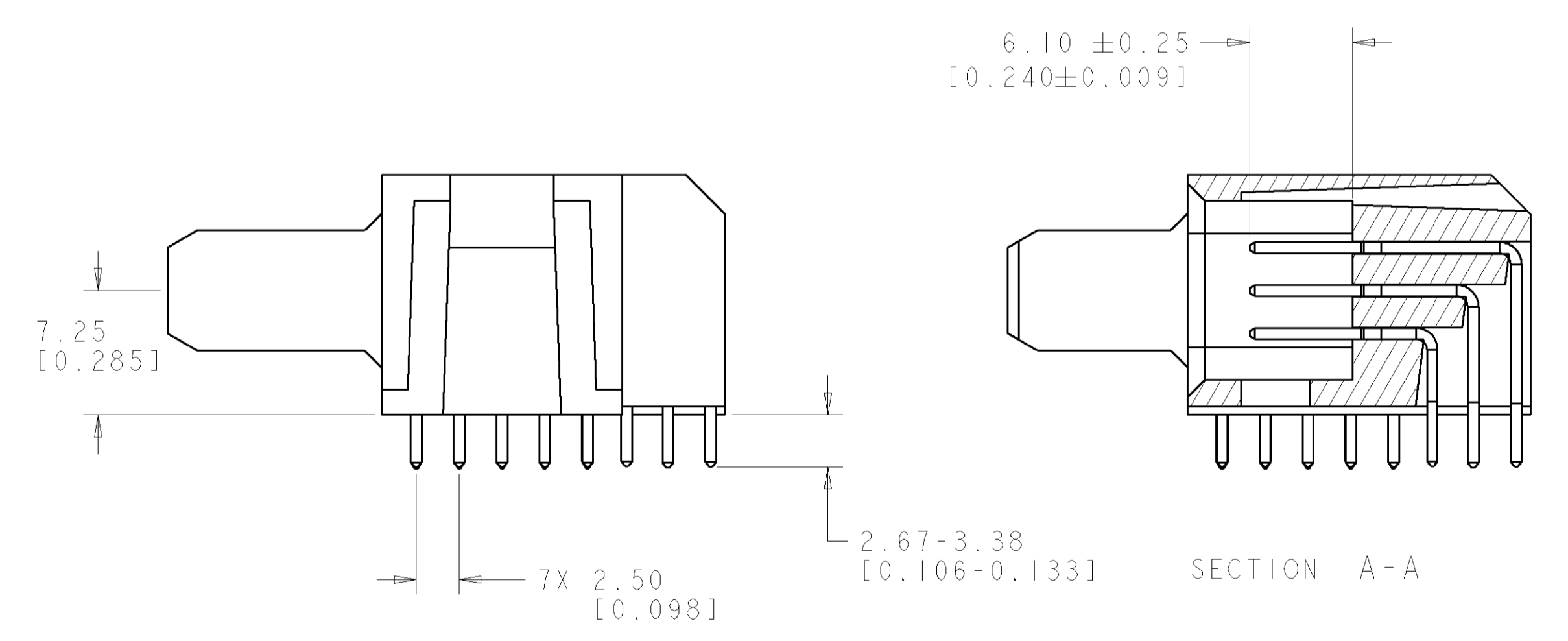
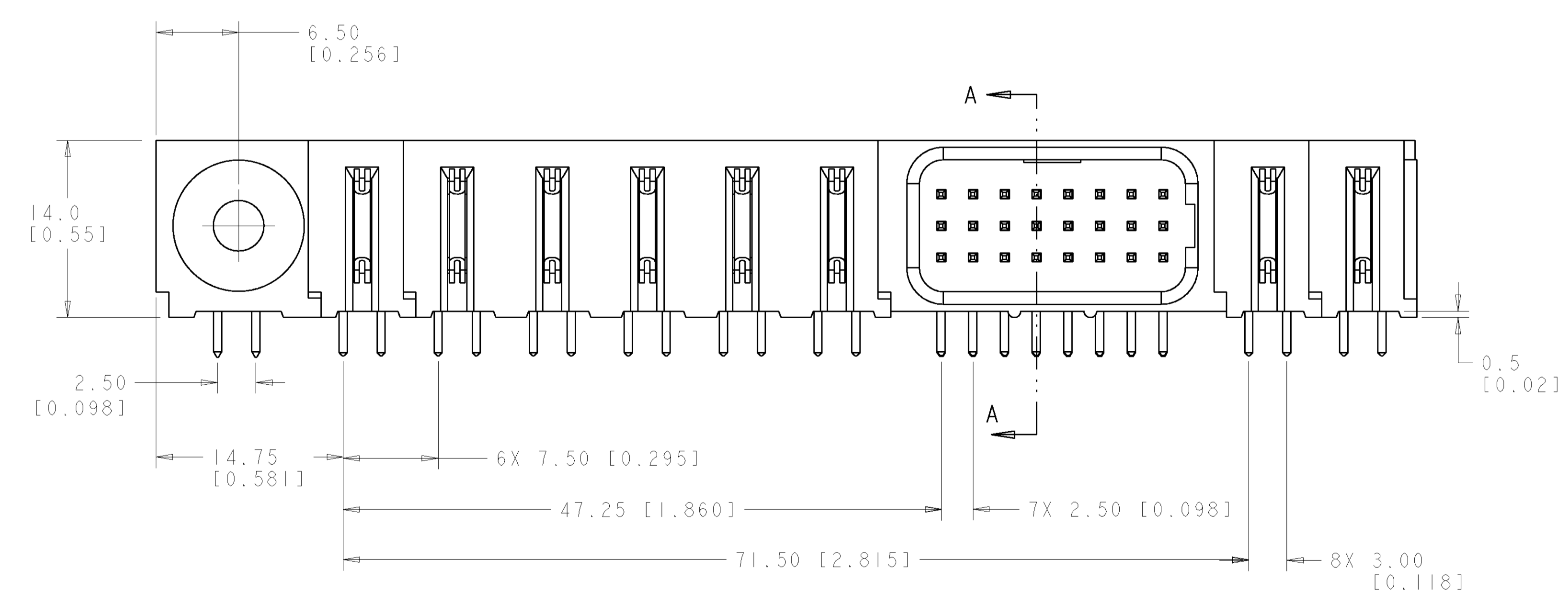
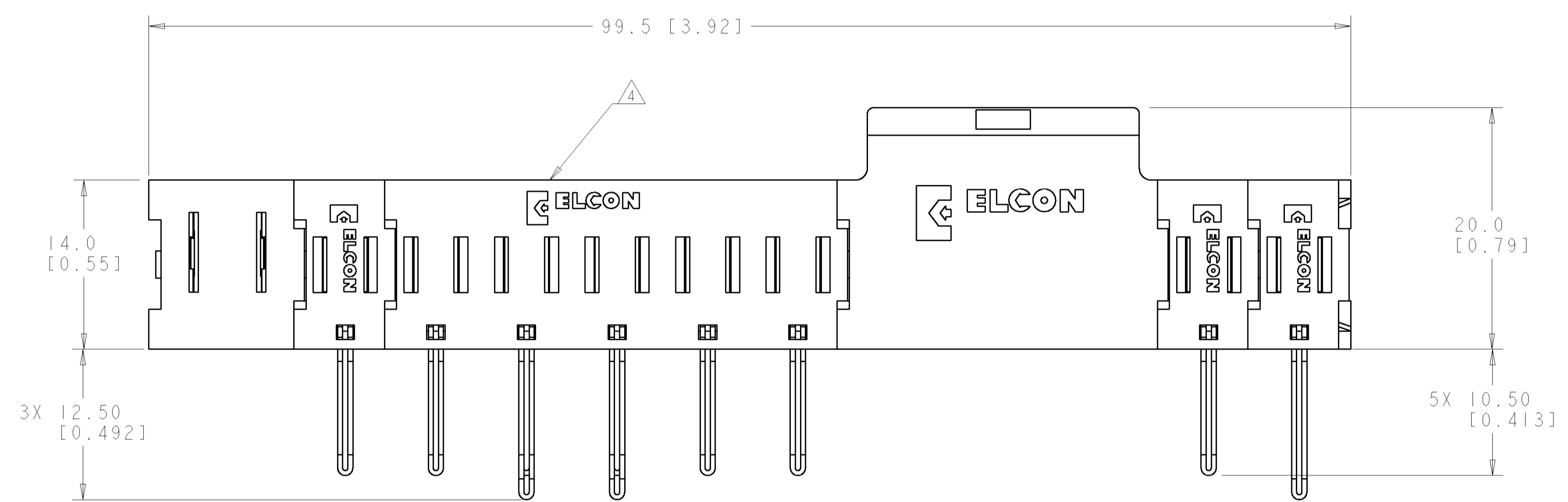
1. PART NUMBER CHANGES AND OR DESIGN CHANGES AFFECTING ITEM INTERCHANGEABILITY REQUIRE PRIOR TYCO ELECTRONICS APPROVAL AND AUTHORIZATION BY REVISION TO THIS DRAWING.

2. MATERIAL:
 INSULATORS - THERMOPLASTIC, GLASS REINFORCED, COLOR: BLACK, UL94V-0 FLAMMABILITY RATED.
 SIGNAL CONTACTS: PHOSPHOR BRONZE ALLOY
 POWER CONTACTS - PHOSPHOR BRONZE ALLOY, COPPER ALLOY
 CROWN BANDS: BERYLLIUM COPPER ALLOY

3. FINISH:
 CONTACTS - GOLD PLATE 0.76µm MIN. THK., OVER NICKEL 1.27µm MIN. THK.
 SOLDER TAILS, TIN 3.05µm MIN. THK. OVER NICKEL 1.27µm MIN. THK.

△ ITEMS PROVIDED TO THIS SPECIFICATION TO BE PERMANENTLY IDENTIFIED PER THE FOLLOWING IDENTIFIER LABEL

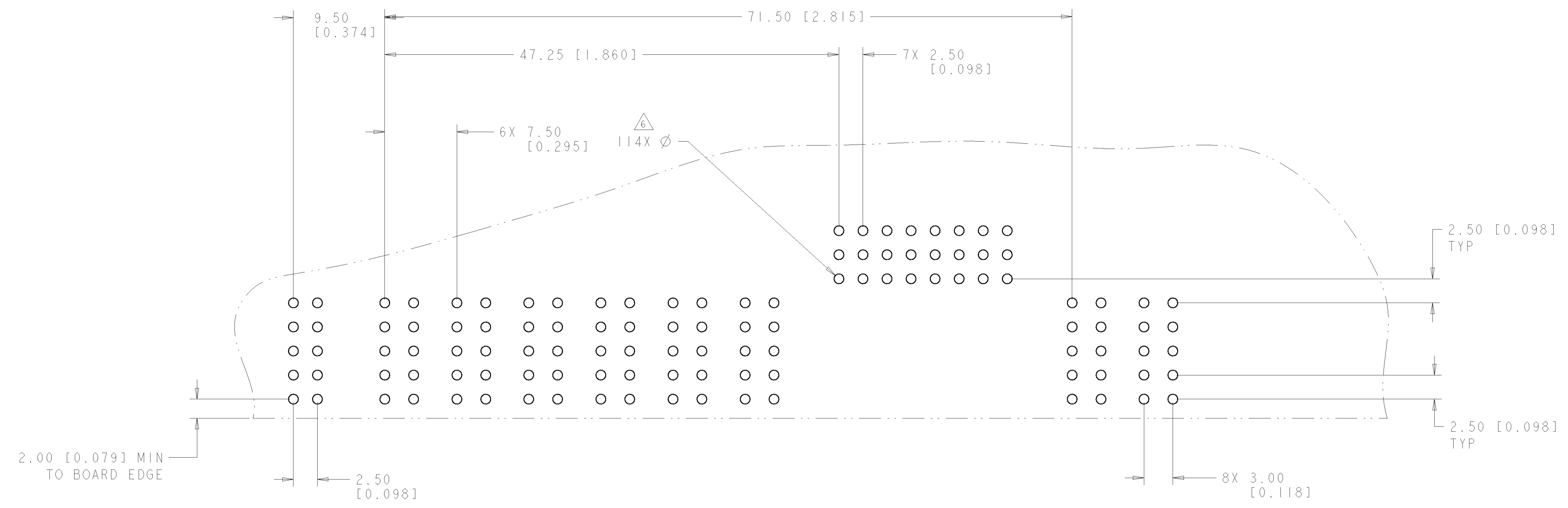
TYCO ELECTRONICS P/N DATE CODE YEAR WEEK
 XXXXXXXX-X XXXX (e.g. 0T06)



ELCON FLATPAQ

DIMENSIONS: mm [INCHES]		TOLERANCES UNLESS OTHERWISE SPECIFIED:		DWN: R. GRZYBOWSKI 09JULY07		Tyco Electronics Harrisburg, PA 17105-3608	
0 PLC	±	0 PLC	±	CHK: P. DAMATO 09JULY07	NAME: PIN CONNECTOR ASSEMBLY		
1 PLC	± 0.020	1 PLC	± 0.020	APVD: S. FLICKINGER 09JULY07	RIGHT ANGLE		
2 PLC	± 0.025	2 PLC	± 0.025	PRODUCT SPEC	SOLDER TAILS		
3 PLC	±	3 PLC	±	APPLICATION SPEC	SIZE: A	CAGE CODE: 1766719	RESTRICTED TO:
4 PLC	±	4 PLC	±	WEIGHT	SCALE: 3:1	SHEET: 1 OF 3	REV: A
ANGLES	± 5	FINISH		CUSTOMER DRAWING			

LOC	DIST	REVISIONS			
P	LTR	DESCRIPTION	DATE	DWN	APVD
-	-	SEE SHEET 1	-	-	-

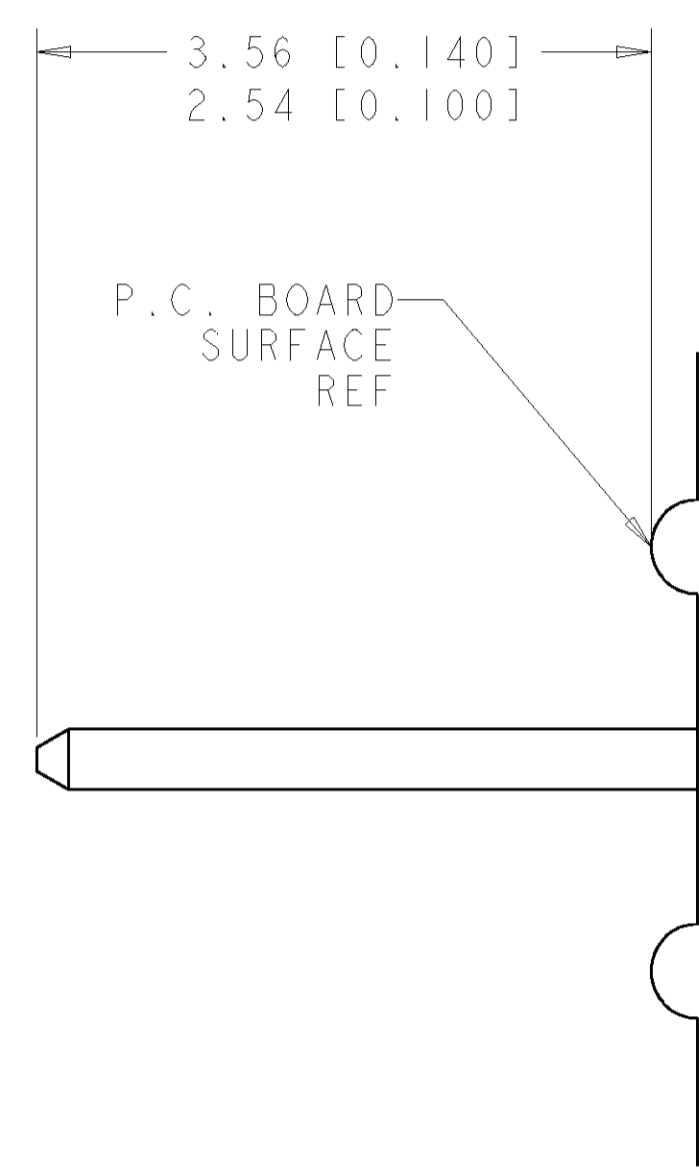


PRINTED CIRCUIT LAYOUT
 COMPONENT SIDE

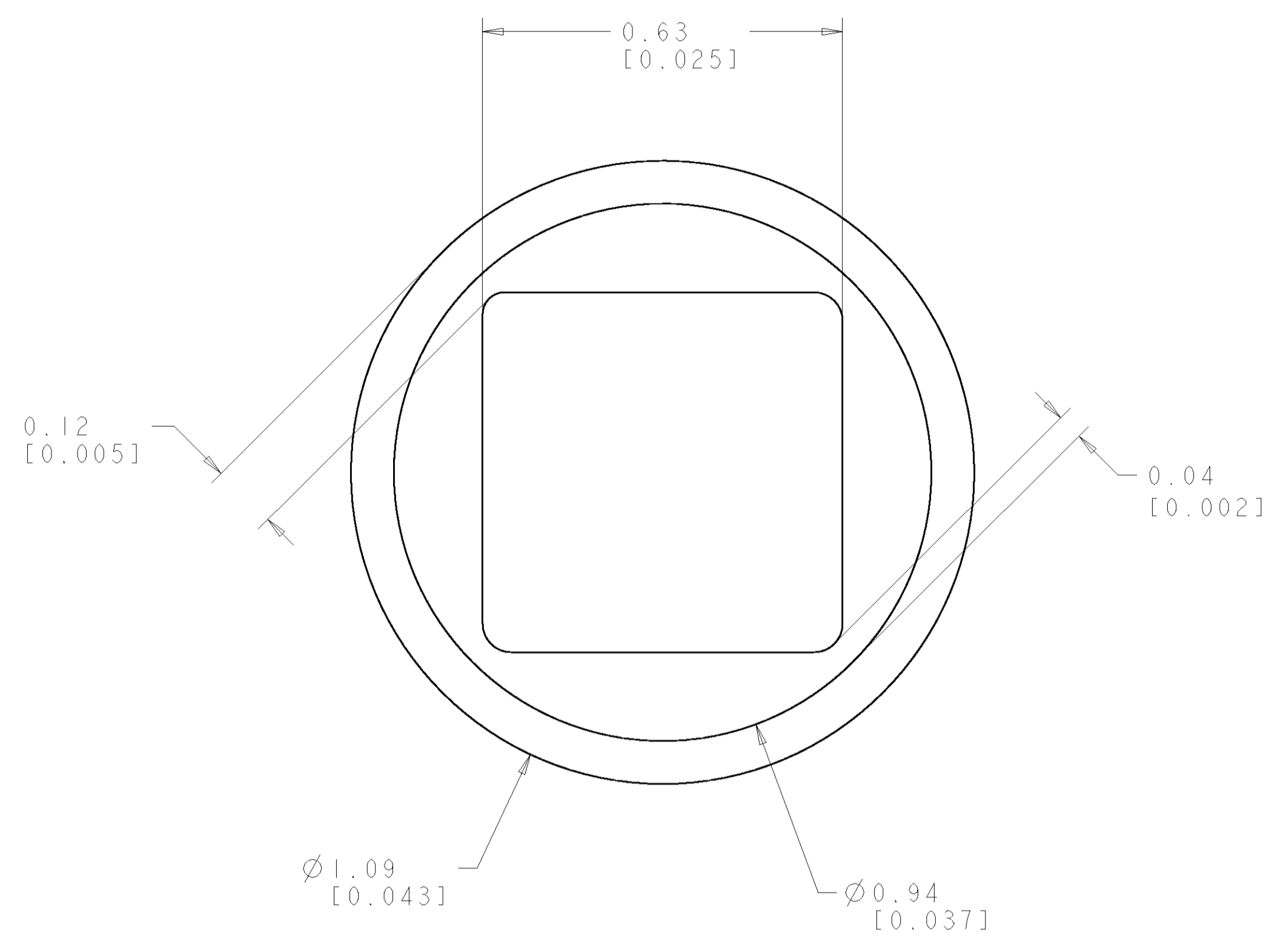
CONNECTOR	CATALOG MODULE #	QTY	SIZE NO.	CONTACT QTY	MATING PIN	MAX. CURRENT (PER CONTACT)	CONTACT SPACING	VOLTAGE RATING
PIN	FP302	1	22	24	.64 [0.025] SQ.	3 amps	2.50 [0.0984]	125
	FP152	3	8	3	1.25 X 7.00 [0.049 X .276]	35 amps	7.50 [0.2953]	250
	FP151	5	8	5	1.25 X 7.00 [0.049 X .276]	35 amps	7.50 [0.2953]	250
	FP516	1	RIGHT ANGLE GUIDE SOCKET					

<small>THIS DRAWING IS UNPUBLISHED. RELEASED FOR PUBLICATION BY TYCO ELECTRONICS CORPORATION. ALL RIGHTS RESERVED.</small> <small>THIS DRAWING IS UNPUBLISHED. RELEASED FOR PUBLICATION BY TYCO ELECTRONICS CORPORATION. ALL RIGHTS RESERVED.</small>		DWN: R. GRZYBOWSKI 09JULY07 CHK: P. DAMATO 09JULY07 APVD: S. FLICKINGER 09JULY07	Tyco Electronics Harrisburg, PA 17105-3608
DIMENSIONS: mm [INCHES] TOLERANCES UNLESS OTHERWISE SPECIFIED: 0 PLC ±.5 [0.020] 1 PLC ±.5 [0.020] 2 PLC ±.25 [0.010] 3 PLC ±.25 [0.010] 4 PLC ±.25 [0.010] ANGLES ±.5	PRODUCT SPEC: - APPLICATION SPEC: - WEIGHT: - MATERIAL: - FINISH: -	NAME: PIN CONNECTOR ASSEMBLY RIGHT ANGLE SOLDER TAILS SIZE: A 00779 C=1766719 SCALE: 3:1 SHEET 2 OF 3 REV A	CUSTOMER DRAWING

LOC	DIST	REVISIONS					
GP	00	P.	LTR	DESCRIPTION	DATE	DWN	APVD
-	-	-	-	SEE SHEET 1	-	-	-



5. SOLDER PIN DETAIL
SCALE 10 : 1



6. SOLDER TERMINATION AREA
 SCALE 40:1
 RECOMMENDED PRINTED CIRCUIT HOLE
 FINISHED HOLE: Ø1.02 [0.040] ±.08 [0.003]
 DRILLED HOLE: Ø1.15 [0.0453] ±.013 [0.0005]
 COPPER PLATE: .025 [0.0010] MIN (PER SURFACE)
 TIN PLATE: .008 [0.0003] MIN. (PER SURFACE)

ELCON FLATPAQ

<small>THE INFORMATION CONTAINED HEREIN IS UNCLASSIFIED EXCEPT WHERE SHOWN OTHERWISE. IT IS THE PROPERTY OF TYCO ELECTRONICS CORPORATION AND IS TO BE CONTAINED AND CONTROLLED BY THE USER'S ORGANIZATION. IT IS TO BE KEPT SECRET AND NOT TO BE RELEASED TO THE PUBLIC.</small>		DWN: B. GRZYBOWSKI 09JULY07 CHK: P. DAMATO 09JULY07 APVD: S. FLICKINGER 09JULY07	Tyco Electronics Harrisburg, PA 17105-3608
DIMENSIONS: mm [INCHES]	TOLERANCES UNLESS OTHERWISE SPECIFIED: 0 PLC ±. 1 PLC ±.5 [0.020] 2 PLC ±.25 [0.010] 3 PLC ±. 4 PLC ±. ANGLES ± 5	NAME: PIN CONNECTOR ASSEMBLY RIGHT ANGLE SOLDER TAILS	SIZE: A 00779 C=1766719 SCALE: 3:1 SHEET 3 OF 3 REV A
MATERIAL: -	FINISH: -	WEIGHT: -	CUSTOMER DRAWING