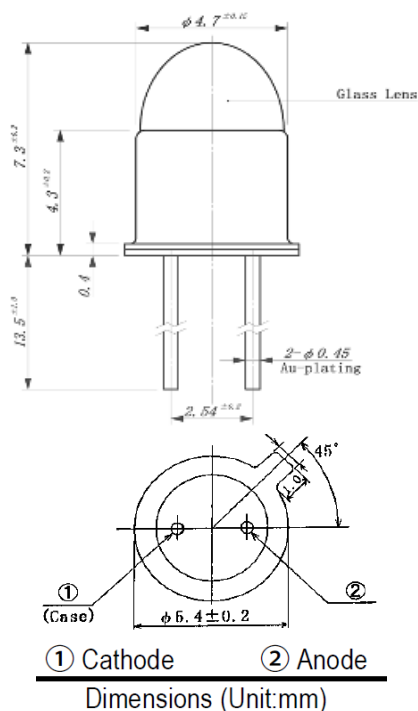


Peak Emission Wavelength: 1550nm



Description

- TO-46 with glass lens cap
- Type: InGaAs/InP, MQW
- High power
- High speed
- Narrow beam angle
- High reliability

Application

- Optical switches
- Optical communication
- Safety equipment
- Automation

Absolute Maximum Ratings (Ta=25°C)



| ITEMS | TEST CONDITIONS | SYMBOL | RATINGS | UNIT |
|------------------------------|--------------------------------|------------------|-------------|------|
| Forward DC Current | | If | 100 | mA |
| Peak Forward Current (pulse) | t _≤ 50us, T = 100us | Ifp | 200 | mA |
| Reverse Voltage | I _r =10uA | V _r | 5 | V |
| Power Dissipation | | P _o | 100 | mW |
| Operating Temperature Range | | T _{op} | -20 to +85 | °C |
| Storage Temperature Range | | T _{st} | -30 to +100 | °C |
| Lead Soldering Temperature | t<5sec, 3mm from case | T _{slg} | 260 | °C |
| Junction Temperature | | T _j | 100 | °C |

Electrical & Optical Characteristics (Ta = 25°C)

| ITEMS | SYMBOL | CONDITIONS | MIN | TYP | MAX | UNIT |
|----------------------|-----------------------|------------|------|-------|------|-----------|
| Forward Voltage | Vf | If=20mA | -- | 0.7 | 0.95 | V |
| Forward Voltage | Vf | If=100mA | -- | 0.8 | 1 | V |
| Reverse Voltage | Vr | Ir=100uA | 5 | -- | -- | V |
| Radiant Power | Φ_e | If=20mA | 0.55 | 0.75 | -- | mW |
| Radiant Power | Φ_e | If=100mA | 1.7 | 2.5 | -- | mW |
| Peak Wavelength | λ_p | If=20mA | 1510 | 1550 | 1590 | nm |
| Spectral Bandwidth | $\Delta\lambda_{0.5}$ | If=20mA | -- | 130 | -- | nm |
| Viewing Angle | φ | If=20mA | -- | 6 | -- | deg |
| Switching Time | tr, tf | If=20mA | -- | 25,45 | -- | ns |